



Features

LLDW73STPWET-T is a high performance flexible LED fixture distinguished by its extremely tight LED pitch and ability to blend in shallow channels. Its tight led pitch allows for even blending in channel making it perfect for direct view applications.

Environment

Wet location, IP68

Lumen Maintenance

50,000 Hours

Operating Voltage

24 VDC

Warranty

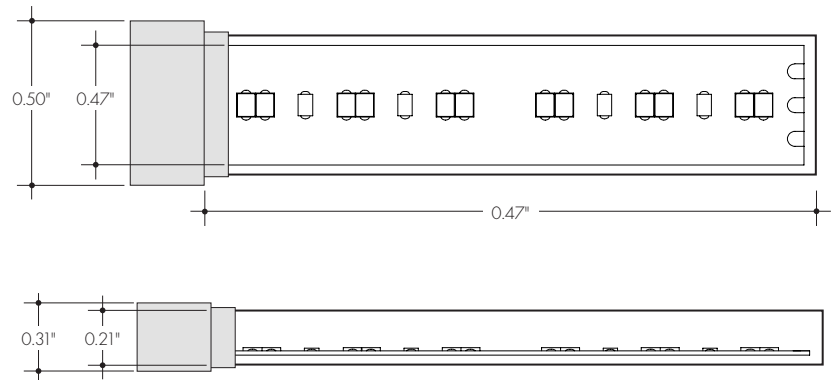
3 Years



Technical Information

MODEL	1800K - 3550K	
LEDs/ft	72	(36 @ 18K) (36 @ 35K)
Average power consumption (for 15' section)	5.8 W/ft (w/ both colors full on) <i>2.9 W/ft average when using PS010WD power supply</i>	
CRI	90+	
Ordering increment	1.97"	
Maximum run length	19 ft	
Dimensions	Strip	0.39" W 0.04" H
	Endcaps	0.50" W 0.31" H
Lumens	124 lm/ft (18K) 194 lm/ft (35K) 312.30 lm/ft (28K all on)	

PRODUCT DIMENSIONS

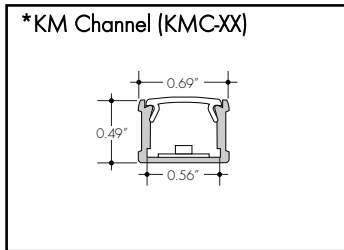


Ordering Code

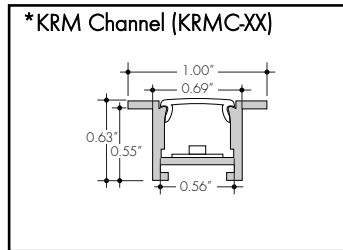
MODEL	CCT	SECTION START	SECTION END	LENGTH
LLDW73STPWET-T	1835K	SL	NC	
LLDW73STPWET-T	1835K - 1800K - 3550K	SL - Soldered lead wires (72") NC - No connector	SL - Soldered lead wires (72") NC - No connector	View specs above for increment options and maximum run limits.

Lens Options / Light Transmission Percentage Per Lens

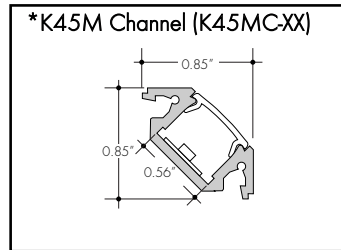
- C** Clear
- HF** Half (50%) Frosted
- G** Graze
- SI** Satin Ice
- S** Square Frosted
- Q** Rounded Square Frosted
- F** Frosted
- M** Medium beam frosted
- R** Raised
- C36** Clear 36° beam angle
- C10** Clear 10° beam angle



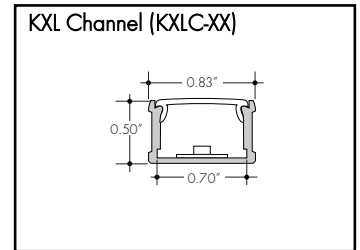
- C**
71%
- F**
42%
- HF**
58%
- C10**
67%
- R**
39%



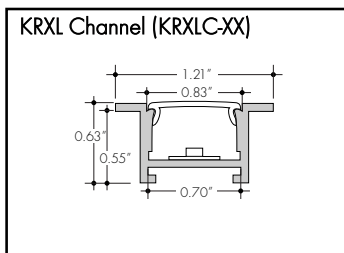
- C**
71%
- F**
42%
- HF**
58%



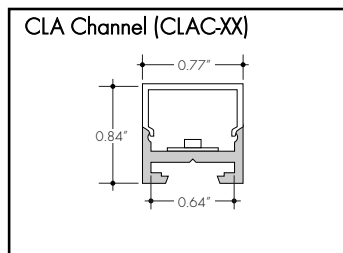
- C**
71%
- F**
42%
- HF**
58%
- C10**
67%



- C**
74%
- F**
46%
- HF**
61%



- C**
74%
- F**
46%
- HF**
61%



- S**
62%
- Q**
63%

*Not compatible with IP68 connectors

Installation

All mounting channels are field cuttable using miter saw with circular blade suitable for cutting aluminum.

Ordering

Extrusions are sold separately. View respective specsheets for details on ordering extrusions and their accessories (endcaps, mounting brackets, etc).

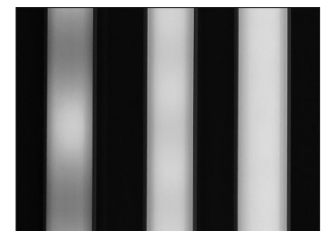
Discontinued Extrusion Reference Link

<https://www.luminii.com/media/4351/extrusion-update-02.pdf>

LED Dotting Per Extrusion

using the frosted lens option

extrusion	LLDW73STP
KMC, KRMC, K45MC	SD
KXLC, KRXLC	SD
KLC, KRLC	SD
CLAC	SD



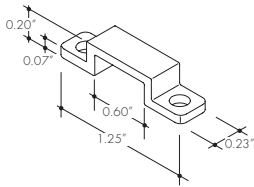
Clear Dotting (CD) Slight Dotting (SD) NO Dotting (ND)

Accessories

Mounting clip

CL-2

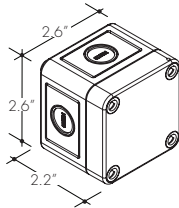
Recommended at every 12" when LineLED strip is facing down.



Splice Box

LVSP-WET

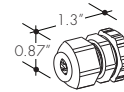
Wet rated, low voltage splice box, gray



Connector

LVSP-WET-CM

Low voltage splice box wet cable, management gray

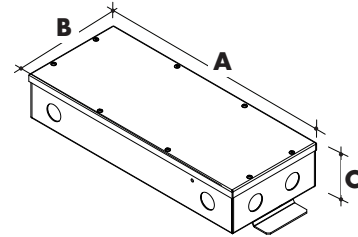


Power Supply

See fixture and power supply instructions & spec sheet for wiring information. Dimming possible in select models - view Luminii website for list of compatible dimmers.

Non-Dimming Power Supplies:

MODEL	POWER	OUTPUT	DIMMING	LOCATION
PSV	40	24	U2ND	D
PSV - PSV Series	40 - 40 Watt 60 - 60 Watt 96 - 96 Watt	24 - 24 VDC	U2ND - Non Dimming	D - Dry Location



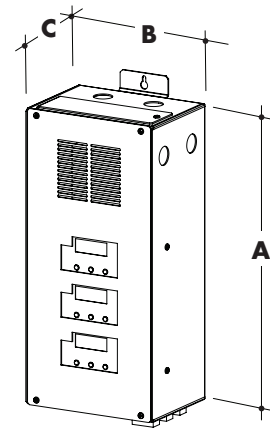
	40W	60W	96W
A Length	14.40"	14.40"	14.40"
B Width	5.20"	5.20"	5.20"
C Depth	2.60"	2.60"	2.60"

DMX:

MODEL	POWER	OUTPUT
PSDMX	96	24
PSDMX - DMX Power Supply	96 - 96 Watt 3X96 - 3 X 96Watt	24 - 24 VDC

Features eldoLED's LINEARdrive configurable dimmable drivers

	96 W	3 X 96 W
A Length	14.40"	15.75"
B Width	5.20"	6.60"
C Depth	2.60"	4.80"

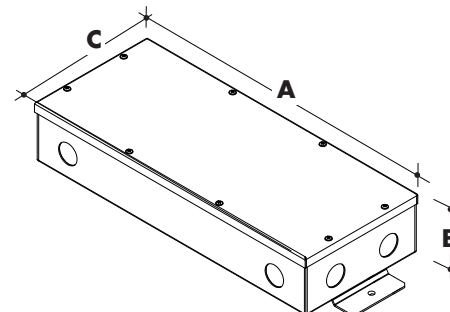


Warm Dimming via 0-10V:

MODEL	POWER	OUTPUT
PS010WD	96	24
PS010WD - 0-10 Warm dim LED Power Supply	96 - 96 Watt	24 - 24 VDC

Requires a 0-10V controller to work properly

	PS010
A Length	14.40"
B Width	2.60"
C Depth	5.20"



Power Supply

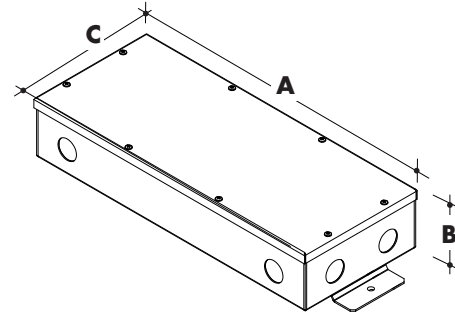
See fixture and power supply instructions & spec sheet for wiring information. Dimming possible in select models - view Luminii website for list of compatible dimmers.

Tunable White via 0-10V

MODEL	POWER	OUTPUT
PS010TW	96	24
PS010TW - 0-10 Tunable White LED Driver	96 - 96 Watt	24 - 24 VDC

Requires two 0-10V controllers to work properly

MODELS	PS010TW
A Length	14.40"
B Width	2.60"
C Depth	5.20"



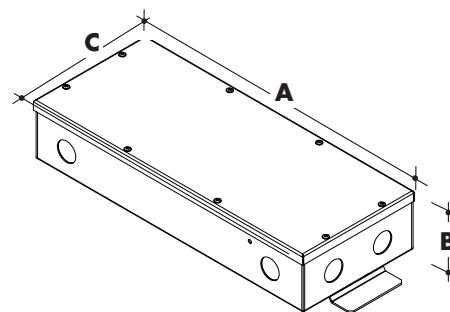
Customizable Dim to Warm or Variable White via 0 - 10V

MODEL	POWER	OUTPUT	CONTROL
PS010V	96	24	WW
PS010V - 0-10 LED Driver	96 - 96 Watt	24 - 24 VDC	

- WW - Standard One Channel - Dim To Warm Curve
- W2C - Standard Two Channel - Dim 1: Intensity; Dim 2: CCT
- W21 - Standard Two Channel - Dim 1: Warm Channel Intensity; Dim 2: Cool Channel Intensity
- W1X - Custom One Channel - Dim To Warm Curve
- W2X - Custom two Channel - Dim 1: Intensity; Dim 2: CCT

Requires a 0-10V controller to work properly

MODELS	PS010V
A Length	14.40"
B Width	2.60"
C Depth	5.20"



Controllers

DDW-MC: Dynamic White controller



ORDERING CODE

DDW-MC

DDW-MC - Dynamic white controller

Dynamic white wall-mount controller controls lighting fixtures, wireless control of DW lighting fixture. Fits in any standard US switch box. Includes all the outputs in the back of the controller.

Control brightness levels with a single touch, personalize and memorize 3 different scenes, and even create 3 variations of white.

Operating voltage
3V DC battery

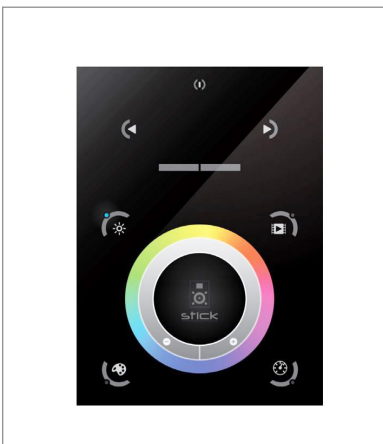
Features

- Switch and dimming control function, control range > 20M.
- Switch on/off of lighting slowly, without any flash, meet the comfort of human eyes.
- Switch from color dimming to adjust color temperature.
- Enable to control 1 zones separately, each zone can be set endless receivers, each receiver maximally be controlled by 8 different remotes.
- Enable be dimmed, switch ON/OFF and adjust color temperature by push button after connecting receivers.

Color parameters

- Brightness
- Saturation
- Fading

TSDMX-E: Touchscreen DMX controller



ORDERING CODE

TSDMX-E

TSDMX-E - Touchscreen DMX controller

Programmable advanced DMX512 lighting controller featuring a touchscreen interface. Operates as stand alone controller or integrated with most architectural lighting control systems. Can controller endless DMX512 enabled devices.

Mounts to standard single or dual gang wall box with the included power supply inside the junction box. Terminal block design for power and data connections.

Power supply
7 VDC (included)

Programmability
PC, Mac, Tablet, Smartphone

Output signal
DMX512 (1024 channels)

Color parameters

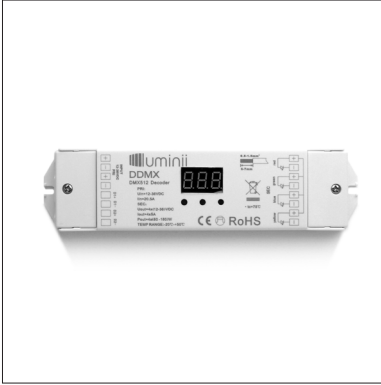
- Brightness
- Saturation
- Speed of color changing sequence
- Fading / dimming / brightness

Key Features

- Sleek glass design which sits 0.43" from the wall
- Graphical color display to show selected environment
- Color/dimmer/speed palette
- Color temperature mixing
- Touch sensitive buttons. No mechanical parts
- Touch sensitive wheel allows for accurate color selection
- Multi-zone microSD memory
- Multi-room control with 500 scenes, 10 zones
- 1024 DMX channels. Control 340 RGB fixtures
- USB & Ethernet connectivity

DMX Decoder

DMX signal to RGBW decoder (required to operate DMX controller, decoder not needed if using PSDMX power supply)



ORDERING CODE

DDMX-RGBW

DDMX-RGB - DMX decoder

Translates controller DMX512 programs for RGB and white LED strips.

Unique DMX address for the decoder can be set easily and displayed by the numeric display on the case. Changing and resetting the DMX address requires manual input.

Use power repeater to expand output.

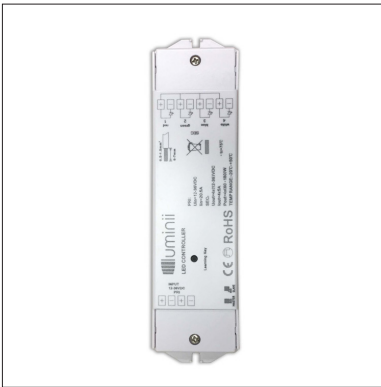
Operating voltage
12-36 VDC

Power capacity
up to 96W at 24V

Operating temperature range
from -4 °F to +122 °F in case

RGBW-RC-R

Dynamic white receiver



ORDERING CODE

RGBW-RC-R

RGBW-RC-R - Dynamic white receiver

The DDW receiver is easily paired with controller by the click of a button. Receiver can be reset to factory settings at any time.

Each receiver can store one static DW color, one color sequence, and one brightness setting for the white LED strip. Receivers assigned to the same scene within the same zone will have the same LED static color and color sequence.

Operating voltage
12-36 VDC

Power capacity
up to 96W at 24V

Operating temperature range
from -4 °F to +122 °F in case