



LLDW73STP is a small profile, high output light strip that alternates different CCT LEDs suitable for warm dim or dynamic white applications. It is easily installed within discrete aluminum extrusions with multiple mounting options. The durable but flexible circuit board and multiple connector options enable the extension of the light strip and the perfect fit for every application.

Mounting

LED strip is equipped with 3M™ adhesive transfer tape (9472LE).

Applications

Indoor only - cove lighting, architectural reveals, under banister, general ambient lighting, etc.

Approvals

Class 2 damp listed

Operating voltage

24 VDC

Average life

50,000 hours

Warranty

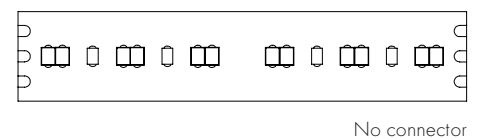
5 years



Technical information

MODELS	1800K - 3550K	1800K - 6500K
LEDs/ft	72 (36 @ 18K) (36 @ 35K)	72 (36 @ 18K) (36 @ 65K)
Average power consumption (for 15' section)	5.8 W/ft (w/ both colors full on) 2.9 W/ft average when using PS010WD power supply	5.8 W/ft (w/ both colors full on) 2.9 W/ft average when using PS010WD power supply
CRI	90+	90+
Ordering increment	1.97"	1.97"
Maximum run length	19 ft	19 ft
Dimensions	0.39" W 0.04" H	0.39" W 0.04" H
Lumens	142 lm/ft (18K) 219 lm/ft (35K) 355 lm/ft (28K all on)	142 lm/ft (18K) 211 lm/ft (65K) 349 lm/ft (28K all on)

SECTION START/END OPTIONS



Ordering code

MODEL	COLOR TEMPERATURE	SECTION START	SECTION END	LENGTH
LLDW73STP	1835K	SL	NC	
LLDW73STP	1835K - 1800K - 3550K 1865K - 1800K - 6500K	SL - Soldered lead wires (72") NC - No connector	SL - Soldered lead wires (72") NC - No connector	View specs above for increment options and maximum run limits.

Lens options / light transmission percentage per lens

- | | | | | | | | | | | |
|-------------------|------------------------------------|-------------------|------------------------|-------------------------------|-------------------------------------|---------------------|------------------------------------|--------------------|---------------------------------------|---------------------------------------|
| C
Clear | HF
Half (50%)
Frosted | G
Graze | SI
Satin Ice | S
Square
Frosted | Q
Round Square
Frosted | F
Frosted | M
Medium Beam
Frosted | R
Raised | C36
Clear 36°
Beam Angle | C10
Clear 10°
Beam Angle |
|-------------------|------------------------------------|-------------------|------------------------|-------------------------------|-------------------------------------|---------------------|------------------------------------|--------------------|---------------------------------------|---------------------------------------|

KS Channel (KSC-XX) C 85% F 55% HF 72% C36 83% R 51%	KM Channel (KMC-XX) C 71% F 42% HF 58% C10 67% R 39%	K45V Channel (K45VC-XX) C 71% F 42% HF 58% C10 67%	K45R Channel (K45RC-XX) F 42%	BOS Channel (BOSC-XX) F 43% SI 56% R 46% G 67%
KL Channel (KLC-XX) C 83% F 55% HF 68%	KXL Channel (KXLC-XX) C 74% F 46% HF 61%	CLA Channel (CLAC-XX) S 62% Q 63%	ALC Channel (ALC-XX) C 79% F 58% HF 69%	KRS Channel (KRSC-XX) C 85% F 55% HF 72%
KRM Channel (KRMC-XX) C 71% F 42% HF 58%	KRL Channel (KRLC-XX) C 83% F 55% HF 68%	KRXL Channel (KRXL-XX) C 74% F 46% HF 61%	Wall+ Channel (WPC-XX) C 47% F 44%	RO Channel (RO-XX) C 75% F 52%
ALS20 Channel (ALS20-XX) C 78% F 43%	FL Channel (FL-XX) C 85% F 63% HF 75%			

Installation

All mounting channels are field cuttable using miter saw with circular blade suitable for cutting aluminum.

Ordering

Extrusions are sold separately. View respective specsheets for details on ordering extrusions and their accessories (endcaps, mounting brackets, etc).

Discontinued Extrusion Reference Link

<https://www.luminii.com/media/4351/extrusion-update-02.pdf>

LED Dotting per extrusion

using the frosted lens option

extrusion	LLDW73STP
KSC, KRSC, FL, ALC	SD
KMC, KRMC, K45VC, K45RC	SD
KXLC, KRXL	SD
KLC, KRLC	SD
WPC	SD
RO, ALS20	SD
BOSC	SD
CLAC	SD



Clear Dotting (CD) Slight Dotting (SD) NO Dotting (ND)

Power consumption per linear foot



POWER CONSUMPTION PER FOOT

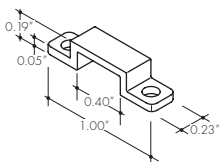
Length of strip (LF)	W/ft	Total wattage
1	7.60	7.60
2	7.05	14.10
3	6.73	20.20
4	6.50	26.01
5	6.36	31.80
6	6.18	37.10
7	6.10	42.70
8	5.94	47.50
9	5.96	53.60
10	5.77	57.70
11	5.70	62.70
12	5.59	67.10
13	5.55	72.10
14	5.43	76.00
15	5.56	83.40
16	5.33	85.20
17	5.14	87.30
18	5.03	90.60
19	5.00	94.90

Accessories

Mounting Clip

CL-1

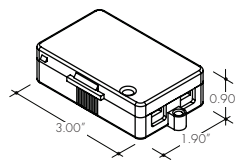
Recommended at every 12" when LineLED strip is facing down.



Splice Box

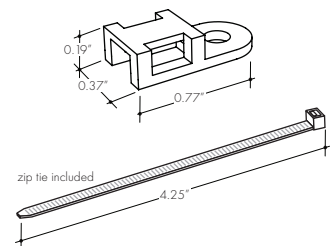
LVSP-4T-BK

Low voltage, 4 terminal splice box, black.



Strain Relief Clip

LL.ZIP

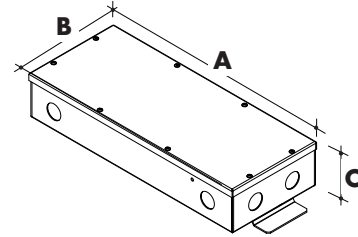


Power supply

See fixture and power supply instructions & spec sheet for wiring information. Dimming possible in select models - view Luminii website for list of compatible dimmers.

Non-Dimming Power Supply

MODEL	POWER	OUTPUT	DIMMING	LOCATION
PSV	96	24	U2ND	D
PSV - PSV Series	96 - 96 Watt	24 - 24 VDC	U2ND - Non Dimming	D - Dry Location



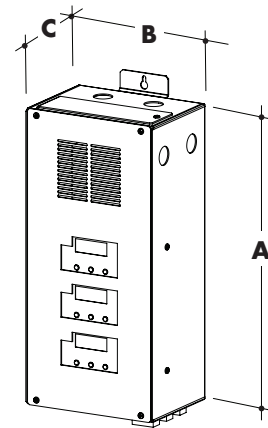
MODELS	96W
A Length	14.40"
B Width	5.20"
C Depth	2.60"

DMX:

MODEL	POWER	OUTPUT
PSDMX	96	24
PSDMX - DMX Power Supply	96 - 96 Watt 3X96 - 3 X 96Watt	24 - 24 VDC

Features eldoLED's LINEARdrive configurable dimmable drivers

MODELS	96 W	3 X 96 W
A Length	14.40"	15.75"
B Width	5.20"	6.60"
C Depth	2.60"	4.80"

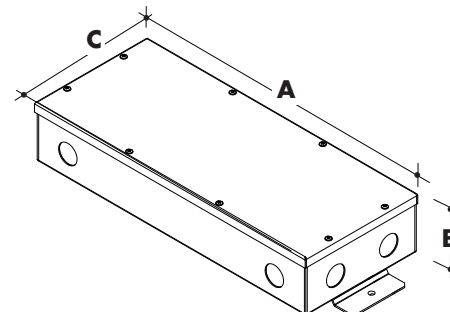


Warm Dimming via 0-10V:

MODEL	POWER	OUTPUT
PS010WD	96	24
PS010WD - 0-10 Warm dim LED Power Supply	96 - 96 Watt	24 - 24 VDC

Requires a 0-10V controller to work properly

MODELS	PS010
A Length	14.40"
B Width	2.60"
C Depth	5.20"



Power supply

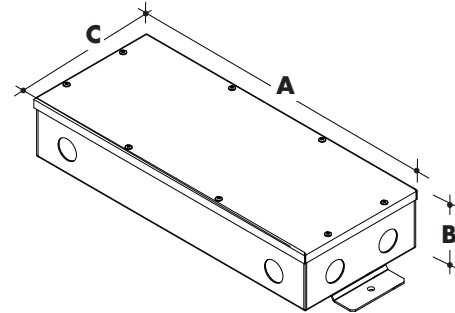
See fixture and power supply instructions & spec sheet for wiring information. Dimming possible in select models - view Luminii website for list of compatible dimmers.

Tunable White via 0-10V

MODEL	POWER	OUTPUT
PS010TW	96	24
PS010TW - 0-10 Tunable White LED Driver	96 - 96 Watt	24 - 24 VDC

Requires two 0-10V controllers to work properly

MODELS	PS010TW
A Length	14.40"
B Width	2.60"
C Depth	5.20"



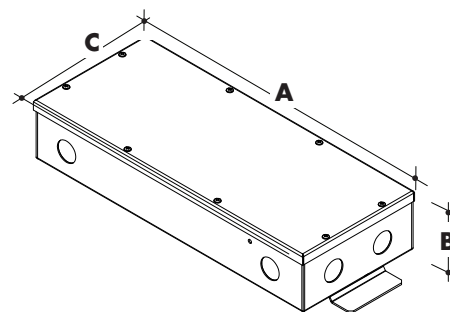
Customizable Dim to Warm or Variable White via 0 - 10V

MODEL	POWER	OUTPUT	CONTROL
PS010V	96	24	WW
PS010V - 0-10 LED Driver	96 - 96 Watt	24 - 24 VDC	

- WW - Standard One Channel - Dim To Warm Curve
- W2C - Standard Two Channel - Dim 1: Intensity; Dim 2: CCT
- W21 - Standard Two Channel - Dim 1: Warm Channel Intensity; Dim 2: Cool Channel Intensity
- W1X - Custom One Channel - Dim To Warm Curve
- W2X - Custom two Channel - Dim 1: Intensity; Dim 2: CCT

Requires a 0-10V controller to work properly

MODELS	PS010V
A Length	14.40"
B Width	2.60"
C Depth	5.20"



Controllers

DDW-MC: Dynamic White controller



ORDERING CODE

DDW-MC

DDW-MC - Dynamic white controller

Dynamic white wall-mount controller controls lighting fixtures, wireless control of DW lighting fixture. Fits in any standard US switch box. Includes all the outputs in the back of the controller.

Control brightness levels with a single touch, personalize and memorize 3 different scenes, and even create 3 variations of white.

Operating voltage

3V DC battery

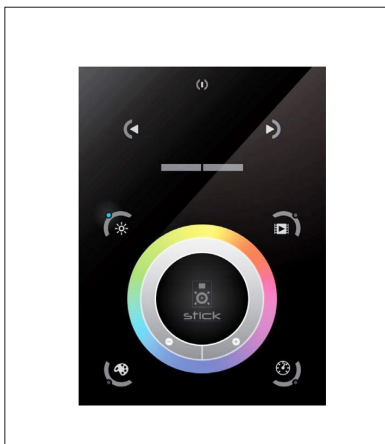
Features

- Switch and dimming control function, control range > 20M.
- Switch on/off of lighting slowly, without any flash, meet the comfort of human eyes.
- Switch from color dimming to adjust color temperature.
- Enable to control 1 zones separately, each zone can be set endless receivers, each receiver maximally be controlled by 8 different remotes.
- Enable be dimmed, switch ON/OFF and adjust color temperature by push button after connecting receivers.

Color parameters

- Brightness
- Saturation
- Fading

TSDMX-E: Touchscreen DMX controller



ORDERING CODE

TSDMX-E

TSDMX-E - Touchscreen DMX controller

Programmable advanced DMX512 lighting controller featuring a touchscreen interface. Operates as stand alone controller or integrated with most architectural lighting control systems. Can controller endless DMX512 enabled devices.

Mounts to standard single or dual gang wall box with the included power supply inside the junction box. Terminal block design for power and data connections.

Power supply

7 VDC (included)

Programmability

PC, Mac, Tablet, Smartphone

Output signal

DMX512 (1024 channels)

Color parameters

- Brightness
- Saturation
- Speed of color changing sequence
- Fading / dimming / brightness

Key Features

- Sleek glass design which sits 0.43" from the wall
- Graphical color display to show selected environment
- Color/dimmer/speed palette
- Color temperature mixing
- Touch sensitive buttons. No mechanical parts
- Touch sensitive wheel allows for accurate color selection
- Multi-zone microSD memory
- Multi-room control with 500 scenes, 10 zones
- 1024 DMX channels. Control 340 RGB fixtures
- USB & Ethernet connectivity

DMX decoder

DMX signal to RGBW decoder (required to operate DMX controller, decoder not needed if using PSDMX power supply)



ORDERING CODE

DDMX-RGBW

DDMX-RGB - DMX decoder

Translates controller DMX512 programs for RGB and white LED strips.

Unique DMX address for the decoder can be set easily and displayed by the numeric display on the case. Changing and resetting the DMX address requires manual input.

Use power repeater to expand output.

Operating voltage
12-36 VDC

Power capacity
up to 96W at 24V

Operating temperature range
from -4 °F to +122 °F in case

RGBW-RC-R

Dynamic white receiver



ORDERING CODE

RGBW-RC-R

RGBW-RC-R - Dynamic white receiver

The DDW receiver is easily paired with controller by the click of a button. Receiver can be reset to factory settings at any time.

Each receiver can store one static DW color, one color sequence, and one brightness setting for the white LED strip. Receivers assigned to the same scene within the same zone will have the same LED static color and color sequence.

Operating voltage
12-36 VDC

Power capacity
up to 96W at 24V

Operating temperature range
from -4 °F to +122 °F in case