

LineLED 24V - Installation Instructions

Models LLDW36-

Please read all instructions prior to installation and keep for future reference!

1. Product should be installed by a qualified electrician.
2. Prior to installation ensure power is off at fuse box to prevent electrical shock.
3. Use only with Class 2 power unit. *Utiliser seulement avec Classe 2 unite d'alimentation electrique.*
4. Suitable for Damp Locations. *Convient Aux Emplacements Humides.*
5. For under-cabinet or shelf mount.
6. Conforms to UL STD 2108. Certified to CSA STD C22.2 No.250.0.



luminii

7777 Merrimac Ave
Niles, IL 60714
T 224.333.6033
F 224.757.7557
info@luminii.com
www.luminii.com

Page 1 of 3

Attention: Always test LineLED operation before installing.
Connect LineLED to power supply to ensure it is working properly and no damage has occurred during shipping.

1 Clean the area thoroughly where the LineLED will be installed.

Remove the paper backing from the LineLED and firmly press down making sure there are no air bubbles that can cause surface irregularities. **Do not remove the adhesive, removing the adhesive may cause arcing of the Line LED tape.**

NOTE - Avoid bending the LineLED in flat bends which may damage the LEDs

NOTE - When removing backing & laying LineLED to surface avoid ripples on LineLED.

2 If length of LineLED needs to be adjusted on site, simply cut the LED strip in between solder pads. Always cut from end with no wire leads.

3 Always ensure power to power supply is off! Follow diagrams on page 2 to connect power feed wires to power supply.

LineLED 24V - Installation Instructions

Models LLDW36-

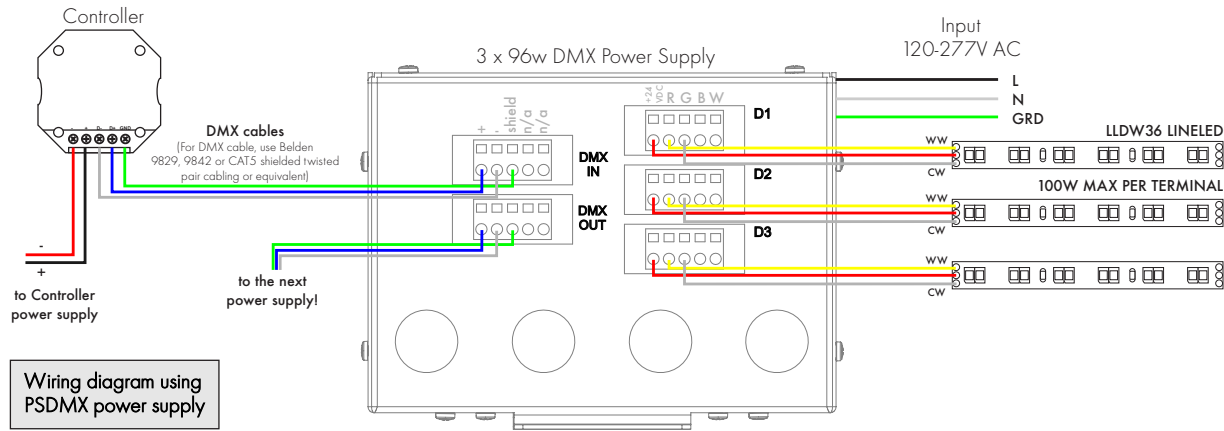
Please read all instructions prior to installation and keep for future reference!

1. Product should be installed by a qualified electrician.
2. Prior to installation ensure power is off at fuse box to prevent electrical shock.
3. Use only with Class 2 power unit. *Utiliser seulement avec Classe 2 unite d'alimentation electrique.*
4. Suitable for Damp Locations. *Convient Aux Emplacements Humides.*
5. For under-cabinet or shelf mount.
6. Conforms to UL STD 2108. Certified to CSA STD C22.2 No.250.0.

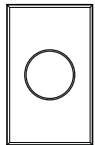


7777 Merrimac Ave
Niles, IL 60714
T 224.333.6033
F 224.757.7557
info@luminii.com
www.luminii.com

Page 2 of 3



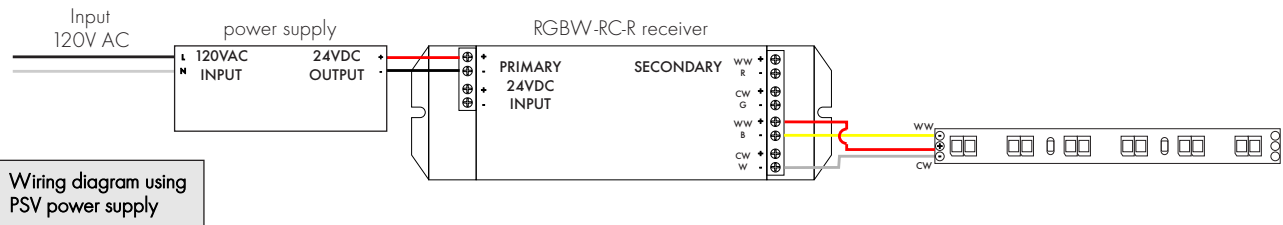
Wireless Controller



Operations to controller

1. Press the learning key on the receiver, then push the rotary button. Once successfully learn, the LED lights will blink on the receiver. Do the same for the other receivers if you use them, you can add as many optional receivers as you want.
2. Short press once the rotary button to switch on/off. Adjust dim brightness by the rotary button from left to right 0.1 - 100%. Adjust dim brightness by the rotary button from right to left 0.1 - 100%. Long press rotary button, the light will be 100% brightness

Double click rotary button, it will enter into dimming color temperature mode, dim WW & CW associatively, for example if WW is 70%, CW is 30%. Double click again, will enter into dimming brightness mode.



LineLED 24V - Installation Instructions

Models LLDW36-

Please read all instructions prior to installation and keep for future reference!

1. Product should be installed by a qualified electrician.
2. Prior to installation ensure power is off at fuse box to prevent electrical shock.
3. Use only with Class 2 power unit. *Utiliser seulement avec Classe 2 unite d'alimentation electrique.*
4. Suitable for Damp Locations. *Convient Aux Emplacements Humides.*
5. For under-cabinet or shelf mount.
6. Conforms to UL STD 2108. Certified to CSA STD C22.2 No.250.0.



7777 Merrimac Ave
Niles, IL 60714
T 224.333.6033
F 224.757.7557
info@luminii.com
www.luminii.com

