



### Features

LineLED 64 HE series is a small form factor high performance constant voltage LED strip. Designed to deliver best in class efficacy and output at over 1000 lumens/ft. Paired with Luminii extrusions for thermal control, this state-of-the-art high efficacy strip provides continuous dot-free illumination with its tight pitch.

### Mounting

LED strip is equipped with 3M™ adhesive transfer tape (9472LE). LL64HE-HO must be paired with an approved Luminii extrusion.

### Applications

Indoor only - above and below cabinets, cove lighting, counter accent, architectural reveals, under banister, display and book cases, etc.

### Approvals

Class 2 damp listed

### Operating voltage

24 VDC

### Life (L70)

50,000 hours

### Warranty

5 years



### Technical information

MODEL	LL64HE	
Output Options	SO	HO
LEDs/ft	64	64
Light output (3000K)	986 lm/ft	1073 lm/ft
Average power consumption (for 4' section)	7.5 W/ft	9.6 W/ft
Efficacy	126 lm/W	112 lm/W
Cutting increment	1.5"	
Pitch length	0.19"	
Maximum run length	15 ft	13 ft
Dimensions	0.48" W x 0.06" H	

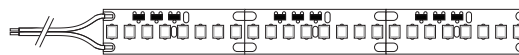
CCT	Multiplier (referenced from 3000K)	TM-30			
		CRI	R <sub>f</sub>	R <sub>g</sub>	R <sub>9</sub>
2200K	0.73	92	91	97	42
2500K	0.81	93	96	96	62
2700K	0.94	92	90	99	58
3000K	1.00	92	89	99	57
3500K	1.02	92	89	99	60
4000K	1.02	92	86	94	71

### SECTION START/END OPTIONS

No connector

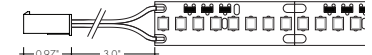


Soldered lead wires (72")

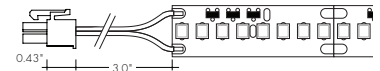


18 AWG

Lead Male 3" cable



Lead Female 3" cable



### Ordering Code

MODEL	OUTPUT	CCT	SECTION START	SECTION END	LENGTH
LL64HE - LineLED LL64 High Efficiency	SO - Standard HO - High	22K - 2200K 25K - 2500K 27K - 2700K 30K - 3000K 35K - 3500K 40K - 4000K	SL - Soldered lead wires (72") NC - No connector LM - Lead Male LF - Lead Female	SL - Soldered lead wires (72") NC - No connector LM - Lead Male LF - Lead Female	view table above for increment options and maximum run limits

## Power Consumption

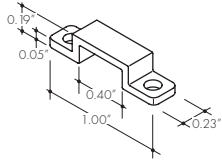
Per linear foot, tested at full power with PSD Series power supplies

Nominal Length	LL64HE			
	SO		HO	
	W/ft	Total wattage	W/ft	Total wattage
<b>1</b>	7.6	7.6	9.7	9.7
<b>2</b>	7.6	15.1	9.6	19.1
<b>3</b>	7.5	22.6	9.5	28.4
<b>4</b>	7.5	30.1	9.6	38.4
<b>5</b>	7.6	37.8	9.8	49.1
<b>6</b>	7.6	45.5	9.9	59.3
<b>7</b>	7.6	52.9	9.2	64.2
<b>8</b>	7.6	60.8	8.8	70.5
<b>9</b>	7.6	68.0	8.6	77.7
<b>10</b>	7.4	74.4	8.2	81.7
<b>11</b>	7.2	79.2	7.7	85.0
<b>12</b>	7.0	83.4	7.5	89.9
<b>13</b>	6.9	90.2	7.2	93.8
<b>14</b>	6.6	92.7		
<b>15</b>	6.3	95.2		

## Accessories

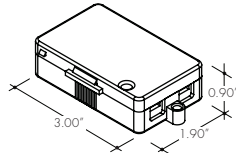
### CL-1

Mounting clip recommended every 12" when LineLED strip is facing down



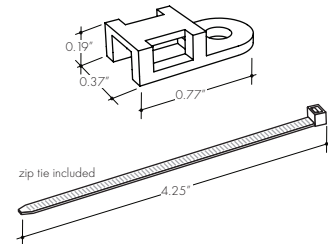
### LVSP-4T-BK

Splice box for low voltage, 4 terminal connections, black



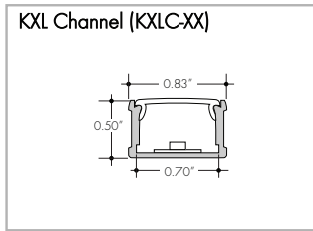
### LL.ZIP

Strain relief clip for wire management

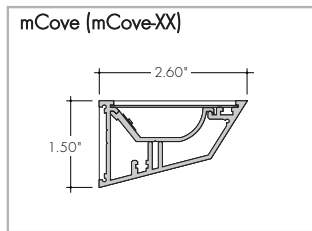


Lens Options / Light Transmission

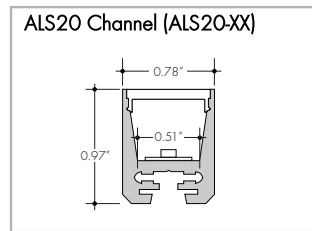
**C** Clear    **HF** Half (50%) Frosted    **F** Frosted



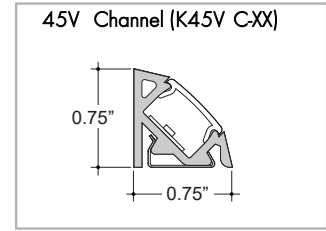
**C** 74%    **F** 46%    **HF** 61%



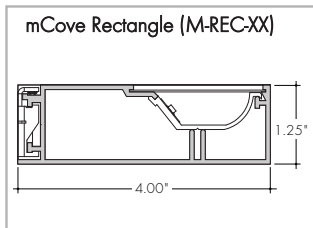
**C** 75%



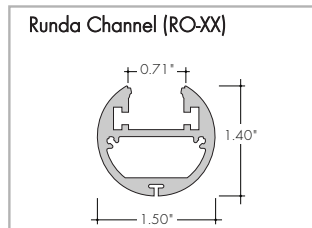
**C** 78%    **F** 43%



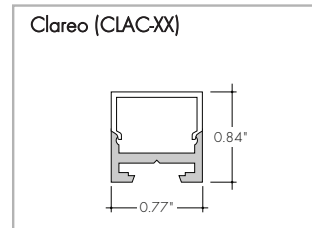
**C** 71%    **F** 42%    **HF** 58%



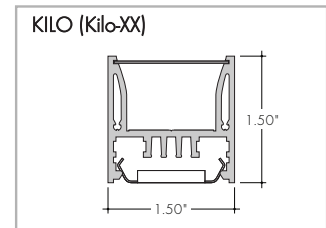
**C** 75%



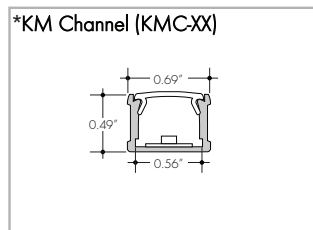
**C** 75%



**S** Square Frosted 71%    **Q** Rounded Square Frosted 71%



**C** 75%    **F** 43%



**C** 71%    **F** 42%    **HF** 58%    **C10** 67%    **R** 39%

Note: single row usage of LL64HE only  
\*KMC is only compatible with LL64HE - SO

LED Dotting per extrusion

using the frosted lens option

extrusion	LED Model
<b>KXLC, ALS20, K45VC</b>	ND
<b>mCove, mCove Rect</b>	ND
<b>RO</b>	ND
<b>CALC</b>	ND
<b>Kilo</b>	ND
<b>KMC</b>	ND



Clear Dotting (**CD**)    Slight Dotting (**SD**)    NO Dotting (**ND**)

Installation

All mounting channels are field cuttable using miter saw with circular blade suitable for cutting aluminum.

Ordering

Extrusions are sold separately. View respective specsheets for details on ordering extrusions and their accessories (endcaps, mounting brackets, etc).

### Power Supplies

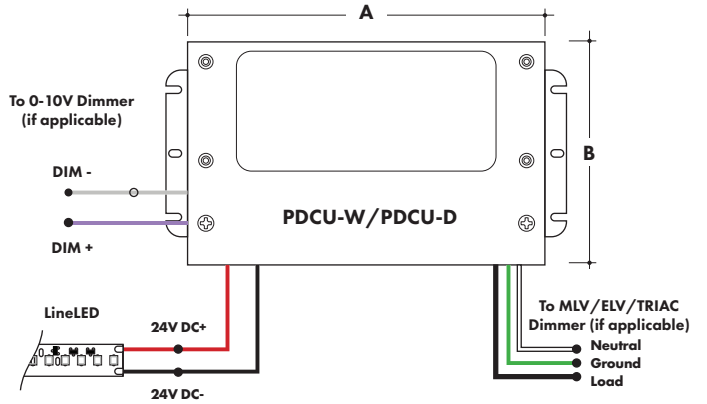
See Power Supply instructions and spec sheet for wiring information. For a complete list of compatible dimmers, see Compatible Dimming Chart on the Resources page.

#### Universal Power Supply 1% 120VAC - 277VAC

MODEL	POWER	OUTPUT
PDCU-D - IP20 Dry Series	30 - 30 W 60 - 60 W 96 - 96 W 3X96 - 3X96 W	24 - 24 VDC

PDCU-W - IP66 Wet Series	96 - 96 W 3X96 - 3X96 W	
--------------------------	----------------------------	--

0-10V dims down to 1%, MLV/ELV/TRIAC dims down to 1%.  
For a complete list of compatible dimmers, see [Compatible Dimming Chart](#) on the Resources page.

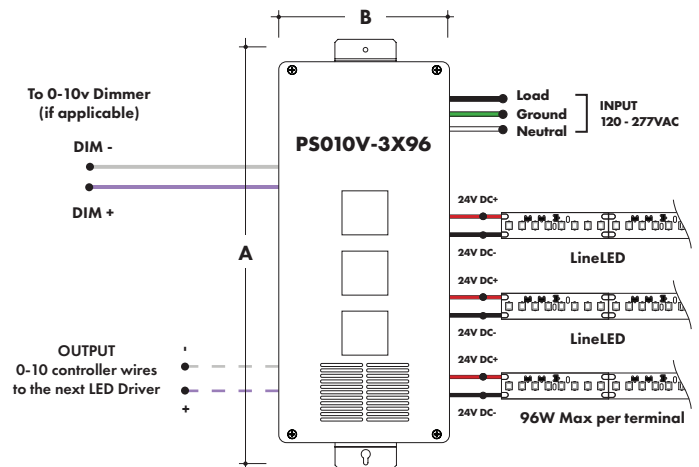
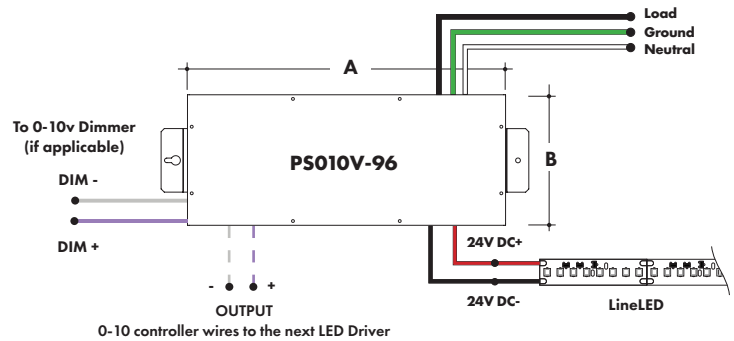


MODELS	PDCU-W 96W	PDCU-W 3X96W	PDCU-D 30W	PDCU-D 60W	PDCU-D 96W	PDCU-D 3X96W
<b>A Length</b>	8.66"	11.85"	6.10"	7.93"	8.25"	9.57"
<b>B Width</b>	3.73"	4.32"	3.35"	3.35"	4.10"	5.94"
<b>Depth</b>	1.61"	1.81"	1.33"	1.32"	1.56"	1.13"

#### 0-10V Dimming Power Supplies 0.1% 120VAC - 277VAC

MODEL	POWER	OUTPUT	DIMMING
PS010V - 0-10V Power Supply dims down to 0.1%	96 - 96 Watt 3X96 - 3 X 96 Watt	24 - 24 VDC	LIN - Linear LOG - Logarithmic

MODELS	96W	3X96
<b>A Length</b>	14.40"	15.75"
<b>B Width</b>	5.20"	6.62"
<b>Depth</b>	2.60"	4.95"



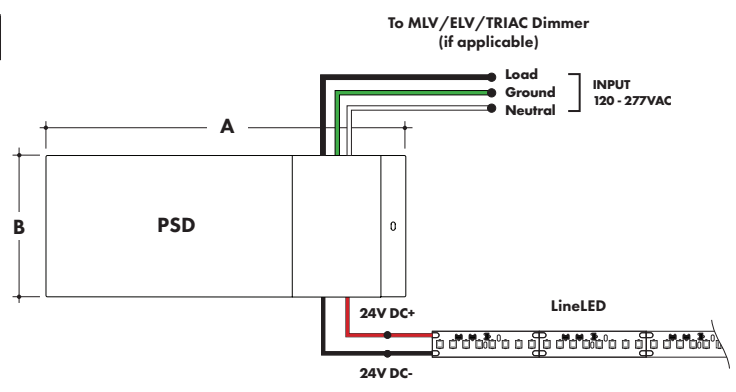
### Power Supplies

See Power Supply instructions and spec sheet for wiring information. For a complete list of compatible dimmers, see Compatible Dimming Chart on the Resources page.

#### Magnetic Low Voltage Dimming Power Supplies

MODEL	POWER	OUTPUT	INPUT
PSD - PSD Series dims down to 0%	48 - 48 Watt 96 - 96 Watt 288 - 288 Watt (3 x 96Watt)	24 - 24 VDC	Blank - 120 V 240 - 240 V 277 - 277 V

MODELS	48W	96W	288W
<b>A Length</b>	11.25"	11.25"	13.06"
<b>B Width</b>	3.42"	3.42"	8.42"
<b>Depth</b>	3.42"	3.27"	4.47"

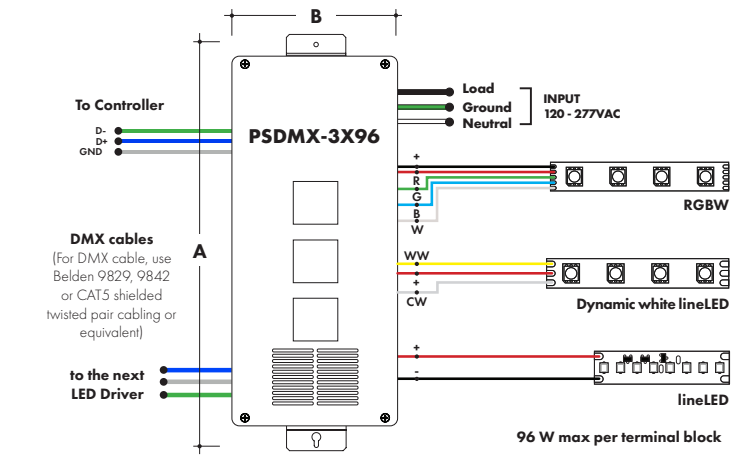
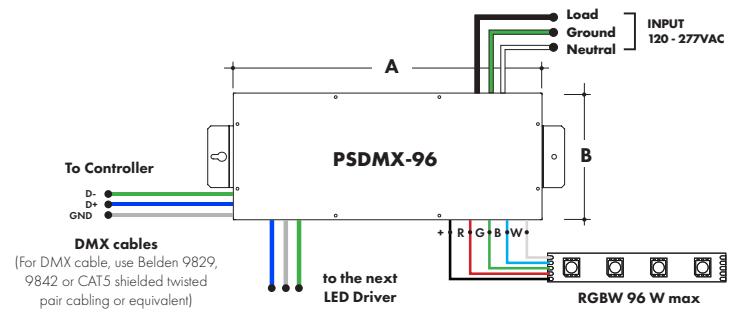


#### DMX Dimming Power Supplies 120VAC - 277VAC

MODEL	POWER	OUTPUT
PSDMX - DMX Power Supply dims down to 0%	96 - 96 Watt 3X96 - 3 X 96 Watt	24 - 24 VDC

Features eldoLED's LINEARdrive configurable dimmable drivers

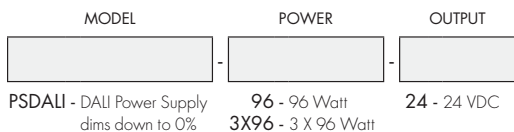
MODELS	96W	3X96
<b>A Length</b>	14.40"	15.75"
<b>B Width</b>	5.20"	6.62"
<b>Depth</b>	2.60"	4.95"



## Power Supplies

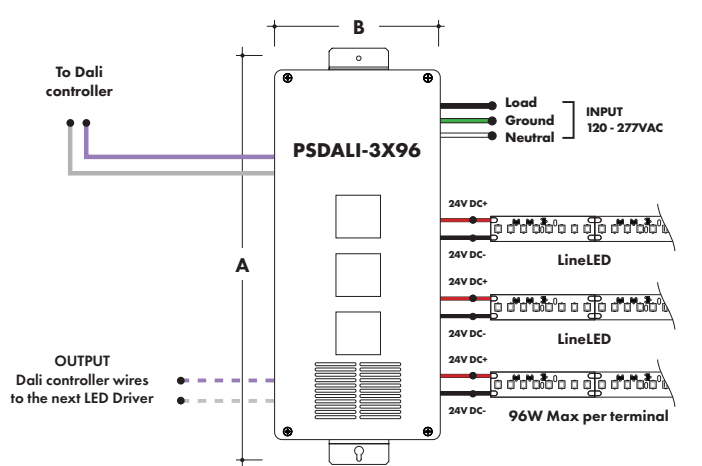
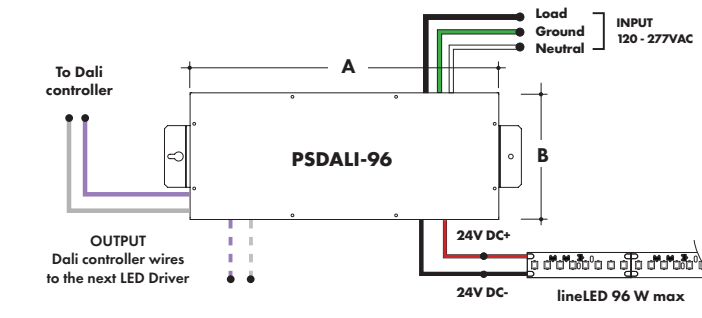
See Power Supply instructions and spec sheet for wiring information. For a complete list of compatible dimmers, see Compatible Dimming Chart on the Resources page.

### DALI 0% Dimming Power Supplies 120VAC - 277VAC

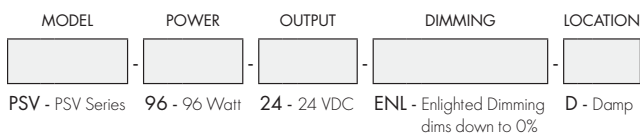


Features eldoLED's LINEARdrive configurable dimmable drivers

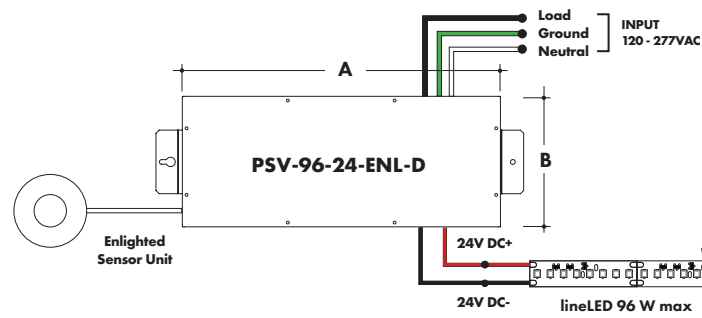
MODELS	96W	3X96
<b>A Length</b>	14.40"	15.75"
<b>B Width</b>	5.20"	6.62"
<b>Depth</b>	2.60"	4.95"



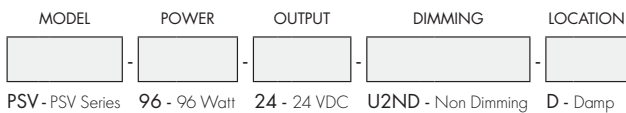
### Enlighted Enabled Dimming Power Supplies 120VAC - 277VAC



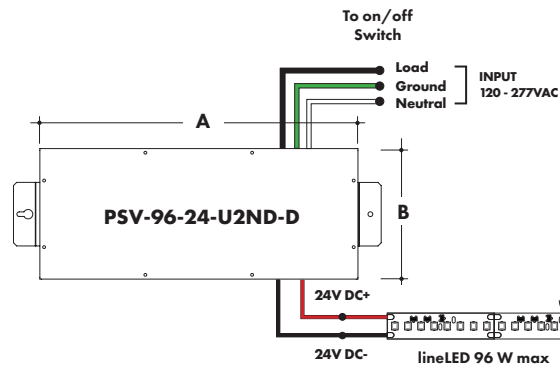
MODELS	96W
<b>A Length</b>	14.40"
<b>B Width</b>	5.20"
<b>Depth</b>	2.60"



### Non-Dimming Power Supply 120VAC - 277VAC



MODELS	96W
<b>A Length</b>	14.40"
<b>B Width</b>	5.20"
<b>Depth</b>	2.60"



### Power Supplies

See Power Supply instructions and spec sheet for wiring information. For a complete list of compatible dimmers, see Compatible Dimming Chart on the Resources page.



Luminii is a Lutron OEM Advantage Partner

#### Lutron Power Supplies 1%

MODEL

**LTEA4U1UKL-CV240**

Lutron - HiLume™ 1% 2-wire LED Driver  
40W max

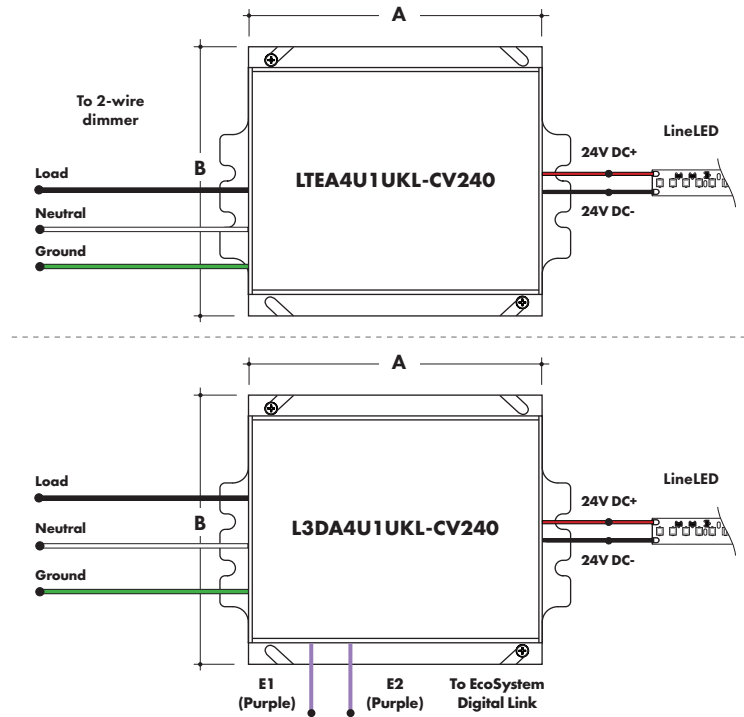
(120V forward phase only)

MODEL

**L3DA4U1UKL-CV240**

HiLume™ 1% EcoSystem Voltage LED driver  
40W max

MODELS	LTEA4U1UKL-CV240	L3DA4U1UKL-CV240
<b>A Length</b>	4.89"	4.98"
<b>B Width</b>	4.00"	4.00"
<b>Depth</b>	2.62"	2.62"



Luminii is a Lutron OEM Advantage Partner

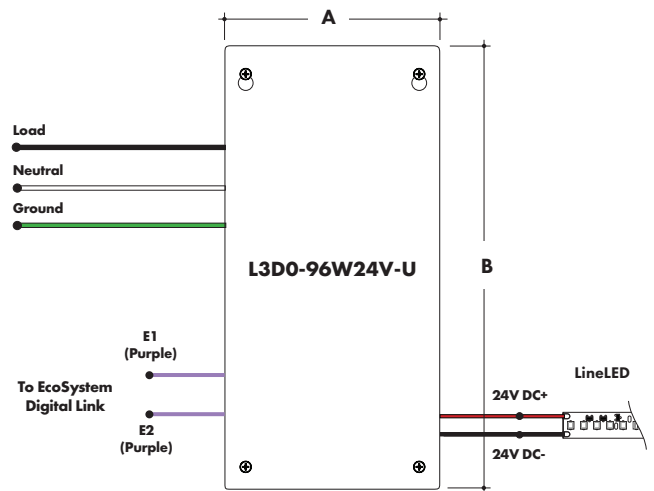
#### Lutron Power Supplies 0.1%

MODEL

**L3D0-96W24V-U**

HiLume™ 0.1% EcoSystem Voltage LED Driver with Soft-On, Fade-to-Black™  
96W max

MODELS	L3D0
<b>A Length</b>	10.50"
<b>B Width</b>	5.50"
<b>Depth</b>	2.00"

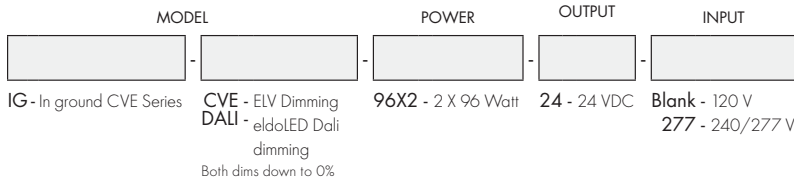




## Power Supplies

See Power Supply instructions and spec sheet for wiring information. For a complete list of compatible dimmers, see [Compatible Dimming Chart](#) on the Resources page.

### In-Ground Power Supplies



MODELS	Dual Circuit
<b>A Length</b>	8.40"
<b>B Width</b>	8.30"
<b>Depth</b>	8.10"

