

# LineLED Wet 24V - Installation Instructions

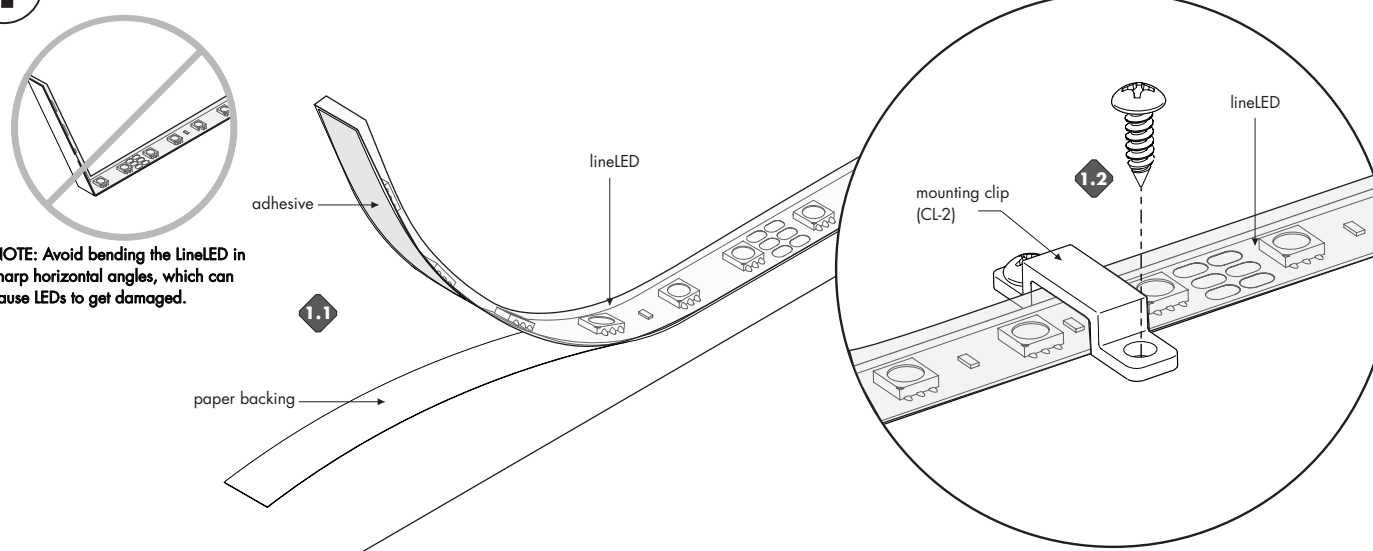
Models LL18WET-T, LL30WET-T, LL36WET-T, & LL54WET-T



**Please read all instructions prior to installation and keep for future reference!**

1. Product should be installed by a qualified electrician.
2. Prior to installation ensure power is off at fuse box to prevent electrical shock.
3. Use only with Class 2 power unit.
4. Suitable for Wet Locations.
5. For under-cabinet or shelf mount.
6. Avoid exposure to direct sunlight.
7. Not suitable for applications where LEDs can become submerged.

1

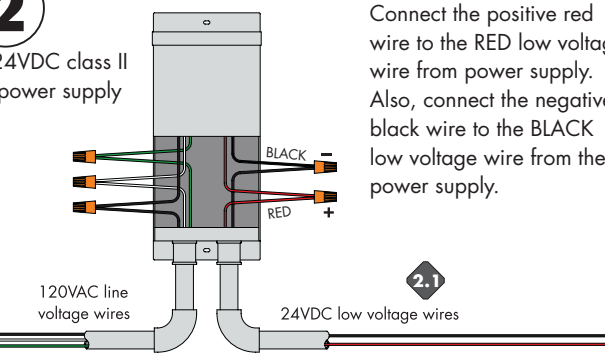


**NOTE:** Avoid bending the LineLED in sharp horizontal angles, which can cause LEDs to get damaged.

**1.1** Remove paper backing from the lineLED and firmly press down. Making sure there is no air bubbles that can cause surface irregularities to the LineLED. **Do not remove the adhesive, removing the adhesive may cause arcing of the Line LED tape.**

**1.2** If necessary add a mounting clip every 12" for additional support.

2



Connect the positive red wire to the RED low voltage wire from power supply. Also, connect the negative black wire to the BLACK low voltage wire from the power supply.

**2.1** Always ensure power to power supply is off! Follow diagrams to connect power feed wires to power supply. Refer to power supply instructions for wiring line voltage side.