



LineLED 48 HE Wet Tube series is a small form factor high performance constant voltage LED strip. Designed to deliver best in class efficacy while operating at low temperature, LineLED 48 HE Wet Tube delivers constant light output, outstanding color consistency and dimming performance without the need of an additional heat sink. Available in 3 different outputs with a tight LED pitch of 0.25", LineLED 48 HE Wet Tube offers a clean dot free illumination in most Luminii profiles when paired with our frosted lenses.

Applications: outdoor / wet location, above cabinet, cove lighting, counter accent, architectural accents, under banisters, decks, gazebos, barbeque stations and wet bars.

Mounting

LED strip is equipped with 3M™ VHB™ adhesive transfer tape.

Approvals

IP65 & IP68 rated

Operating Environment Temperature

-30C (-22F) to 50C (122F)

Operating voltage

24 VDC

Lumen Maintenance:

Calculated L90 at 173,000 hours for High Output

Warranty

3 years



Technical information

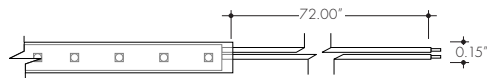
MODEL	LO	SO	MO
LEDs/ft	48	48	48
Light output 3000K	231 lum/ft	330 lum/ft	441 lum/ft
Average power consumption (for 4' section)	1.8 W/ft	3 W/ft	3.4 W/ft
Ordering increment	2.00"	2.00"	2.00"
Efficacy lum/watt	128 lm/W		130 lm/W
Maximum run length (in series)	48 ft	42 ft	33 ft

Dimensions 0.53"W x 0.24" H

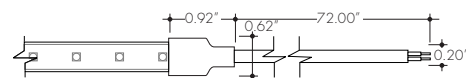
Color temperature	Multiplier (referenced from 3000K)	CRI	R _f	R _g	R _b
2700K	0.94	92	90	99	
3000K	1.00	92	89	99	
3500K	1.02	92	89	99	
4000K	1.02	92	86	94	

SECTION START/END OPTIONS

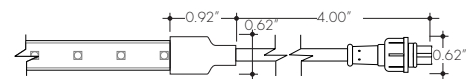
72" Soldered leads (SL65)



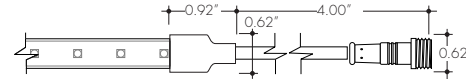
72" Soldered leads (SL68)



Female quick connect end (F)



Male quick connect end (M)



No connector (NC) IP65 model only



No connector (NC) IP68 model only



Ordering code

MODEL	ENCLOSURE	OUTPUT	CCT	SECTION START	SECTION END	LENGTH
LL48HEWET	T	LO	27K	SL68	NC	
LL48HEWET	T - Tube	LO - Low SO - Standard MO - Medium	27K - 2700K 30K - 3000K 35K - 3500K 40K - 4000K	*SL65 - IP65 Soldered lead wires (72") SL68 - IP68 Soldered lead wires (72") F - Female connector M - Male connector *NC - No connector	*SL65 - IP65 Soldered lead wires (72") SL68 - IP68 Soldered lead wires (72") F - Female connector M - Male connector *NC - No connector	2" increments - up to 25'

* only available option with IP65

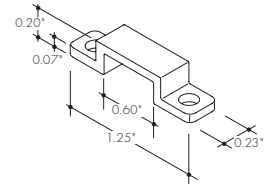
Power consumption per linear foot - loads tested with PSD series

Accessories

Length of strip (LF)	LL48HE-LO		LL48HE-SO		LL48HE-MO	
	W/ft	Total wattage	W/ft	Total wattage	W/ft	Total wattage
1	2.00	2.00	2.79	2.79	3.70	3.70
2	2.00	4.00	2.79	5.58	3.70	7.40
3	2.00	6.00	2.79	8.37	3.70	11.10
4	2.00	8.00	2.79	11.16	3.70	14.80
5	2.00	10.00	2.79	13.95	3.70	18.50
6	2.00	12.00	2.79	16.74	3.70	22.20
7	2.00	14.00	2.79	19.53	3.70	25.90
8	2.00	16.00	2.79	22.32	3.70	29.60
9	2.00	18.00	2.79	25.11	3.73	33.60
10	2.00	20.00	2.79	27.90	3.76	37.60
11	2.00	22.00	2.79	30.75	3.74	41.20
12	2.00	24.00	2.80	33.60	3.73	44.80
13	2.00	26.00	2.80	36.45	3.73	48.50
14	2.03	28.40	2.81	39.30	3.73	52.20
15	2.02	30.30	2.81	42.03	3.73	55.90
16	2.02	32.20	2.79	44.76	3.73	59.60
17	2.01	34.10	2.79	47.50	3.70	62.60
18	2.00	36.00	2.79	50.32	3.67	65.60
19	1.99	37.90	2.80	53.14	3.65	68.60
20	1.99	39.95	2.80	55.96	3.62	71.60
21	1.99	42.04	2.80	58.80	3.59	74.60
22	1.99	44.13	2.78	60.90	3.57	77.60
23	2.00	46.10	2.76	63.00	3.54	80.60
24	2.00	47.98	2.75	65.10	3.51	83.60
25	2.00	49.86	2.73	67.20	3.48	86.60
26	2.00	51.74	2.71	69.30	3.46	89.60
27	1.99	53.62	2.70	71.40	3.43	92.60
28	1.99	55.50	2.68	73.50		
29	1.99	57.38	2.66	75.60		
30	1.98	59.30	2.64	77.70		
31	1.97	60.84	2.63	79.80		
32	1.96	62.28	2.61	81.90		
33	1.95	63.72	2.59	84.00		
34	1.94	65.16	2.57	86.10		
35	1.93	66.60	2.55	88.20		
36	1.92	68.04	2.54	90.30		
37	1.91	69.48	2.52	92.40		
38	1.90	70.92	2.49	94.50		
39	1.89	72.36				
40	1.88	73.80				
41	1.87	75.24				
42	1.86	76.68				
43	1.85	78.12				
44	1.84	79.56				
45	1.83	81.00				
46	1.82	82.44				
47	1.81	83.88				
48	1.80	85.32				
49	1.79	86.76				
50	1.78	88.20				
51	1.77	89.64				
52	1.76	91.08				
53	1.75	92.52				
54	1.74	93.96				
55	1.73	95.40				

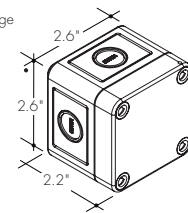
Mounting clip:
recommended at every 12" when
LineLED strip is facing down.

Part # CL-2



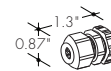
Splice Box:
Wet rated, low voltage
splice box, gray

Part # LVSP-WET



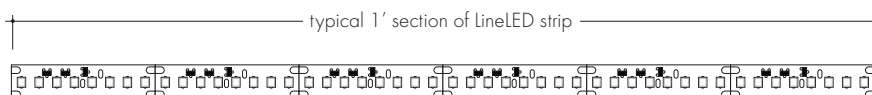
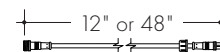
Connector:
Low voltage splice box wet cable
management gray

Part # LVSP-WET-CM



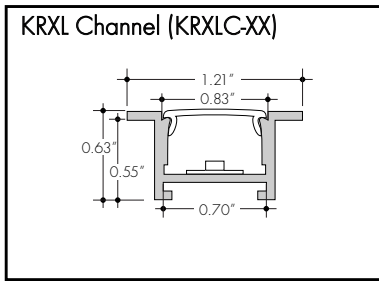
Male/Female Joiner:
linking and extension cable in 12" or 48"

Part # IP68-12
IP68-48

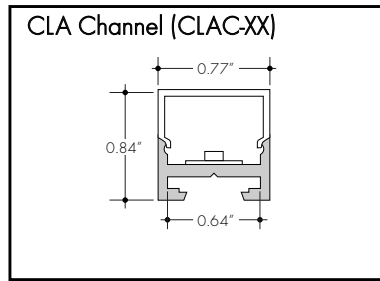


Lens options / light transmission percentage per lens

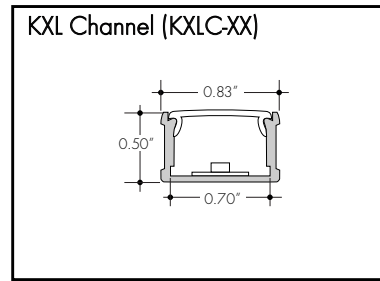
- C Clear
- HF Half (50%) Frosted
- G Graze
- SI Satin Ice
- S Square Frosted
- Q Rounded Square Frosted
- F Frosted
- M Medium beam frosted
- R Raised
- C36 Clear 36° beam angle
- C10 Clear 10° beam angle



- C 74%
- F 46%
- HF 61%



- S 62%
- Q 63%



- C 74%
- F 46%
- HF 61%

*Not compatible with IP68 connectors

Installation

All mounting channels are field cuttable using miter saw with circular blade suitable for cutting aluminum.

Ordering

Extrusions are sold separately. View respective specsheets for details on ordering extrusions and their accessories (endcaps, mounting brackets, etc).

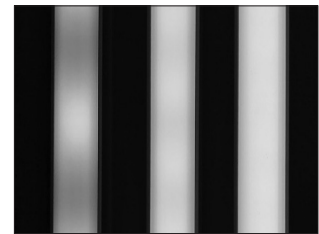
Discontinued Extrusion Reference Link

<https://www.luminii.com/media/4351/extrusion-update-02.pdf>

LED Dotting per extrusion

using the frosted lens option

extrusion	LED Model
	LL48HE
KXLC, KRXLC	ND
KLC, KRLC	ND
CLAC	ND



Clear Dotting (CD) Slight Dotting (SD) NO Dotting (ND)

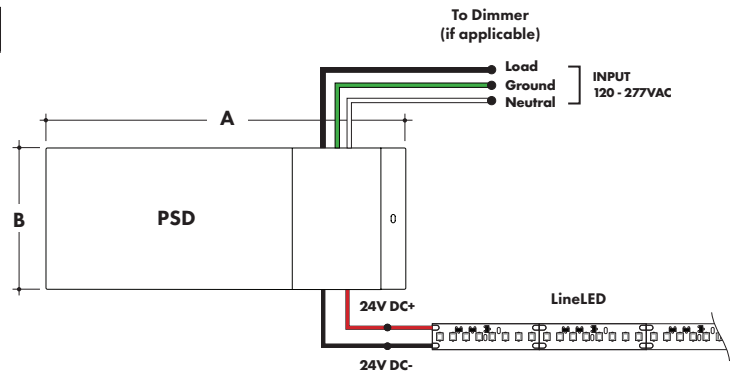
Power Supply

See fixture and power supply instructions & spec sheet for wiring information. Dimming possible in select models - view Luminii website for list of compatible dimmers.

Magnetic Low Voltage Dimming Power Supplies

MODEL	POWER	OUTPUT	INPUT
PSD	48	24	
PSD - PSD Series dims down to 0%	48 - 48 Watt 96 - 96 Watt 288 - 288 Watt (3 x 96Watt)	24 - 24 VDC	Blank - 120 V 240 - 240 V 277 - 277 V

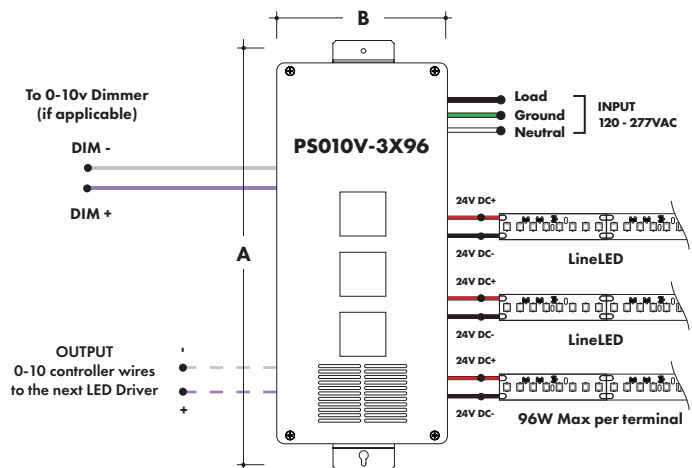
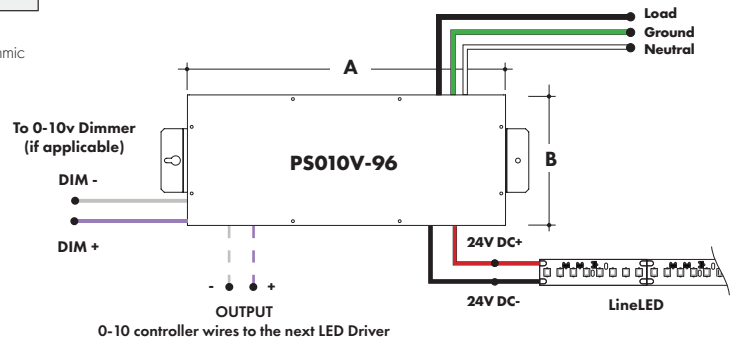
MODELS	PSD 48	PSD 96	PSD 288
A Length	11.25"	11.25"	13.06"
B Width	3.42"	3.42"	8.42"
Depth	3.42"	3.27"	4.47"



0-10V Dimming Power Supplies

MODEL	POWER	OUTPUT	DIMMING
PS010V	96	24	LIN
PS010V - 0-10V Power Supply dims down to 0%	96 - 96 Watt 3X96 - 3 X 96 Watt	24 - 24 VDC	LIN - Linear LOG - Logarithmic

MODELS	96W	3X96
A Length	14.40"	15.75"
B Width	5.20"	6.62"
Depth	2.60"	4.95"



Power Supply

See fixture and power supply instructions & spec sheet for wiring information. Dimming possible in select models - view Luminii website for list of compatible dimmers.

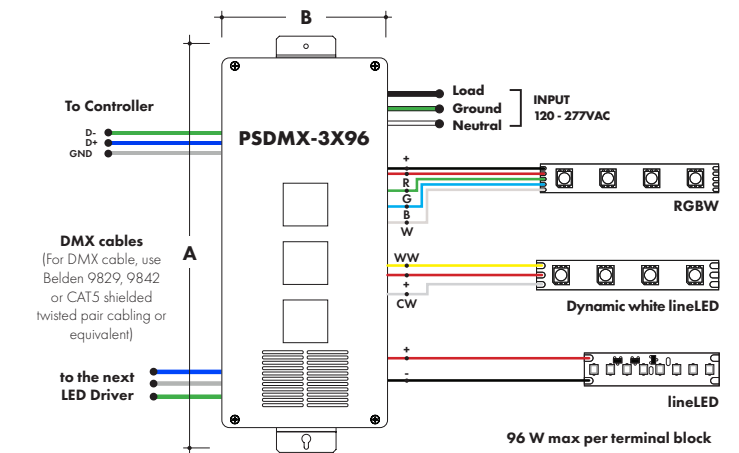
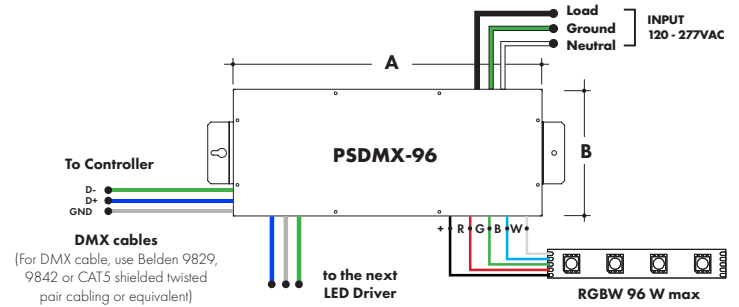
DMX Dimming Power Supplies

MODEL	POWER	OUTPUT
PSDMX	96	24

PSDMX - DMX Power Supply 96 - 96 Watt 24 - 24 VDC
 3X96 - 3 X 96 Watt

Features eldoLED's LINEARdrive configurable dimmable drivers

MODELS	96W	3X96
A Length	14.40"	15.75"
B Width	5.20"	6.62"
Depth	2.60"	4.95"



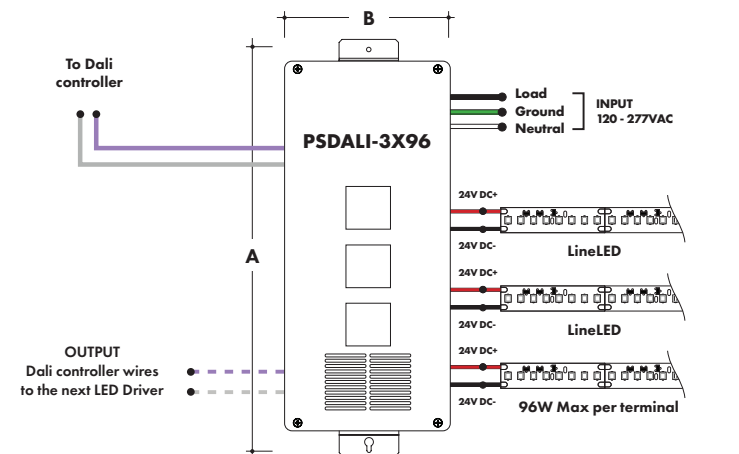
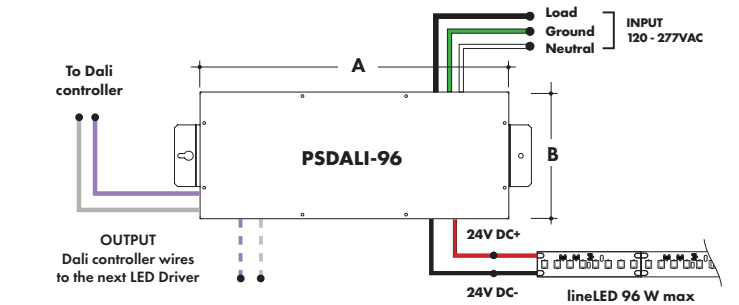
DALI Dimming Power Supplies

MODEL	POWER	OUTPUT
PSDALI	96	24

PSDALI - DALI Power Supply 96 - 96 Watt 24 - 24 VDC
 dims down to 0% 3X96 - 3 X 96 Watt

Features eldoLED's LINEARdrive configurable dimmable drivers

MODELS	96W	3X96
A Length	14.40"	15.75"
B Width	5.20"	6.62"
Depth	2.60"	4.95"



Power Supply

See fixture and power supply instructions & spec sheet for wiring information. Dimming possible in select models - view Luminii website for list of compatible dimmers.



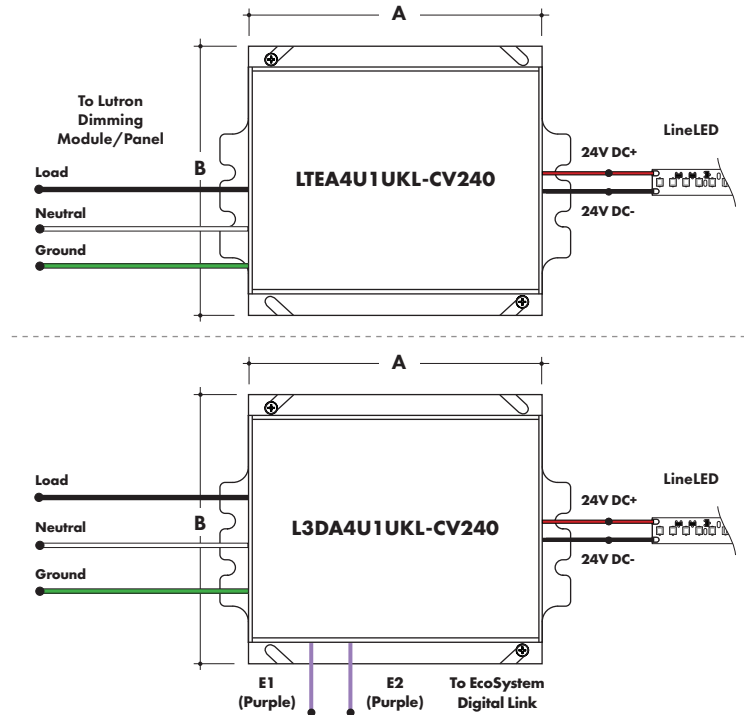
Luminii is a Lutron OEM Advantage Partner

MODEL	MODEL
LTEA4U1UKL-CV240	L3DA4U1UKL-CV240

Lutron - HiLume™ 1% 2-wire LED Driver
(120V forward phase only)

HiLume™ 1% EcoSystem Voltage LED driver

MODELS	LTEA41UKL-CV240	L3DA4U1UKL-CV240
A Length	4.89"	4.98"
B Width	4.00"	4.00"
Depth	2.62"	2.62"

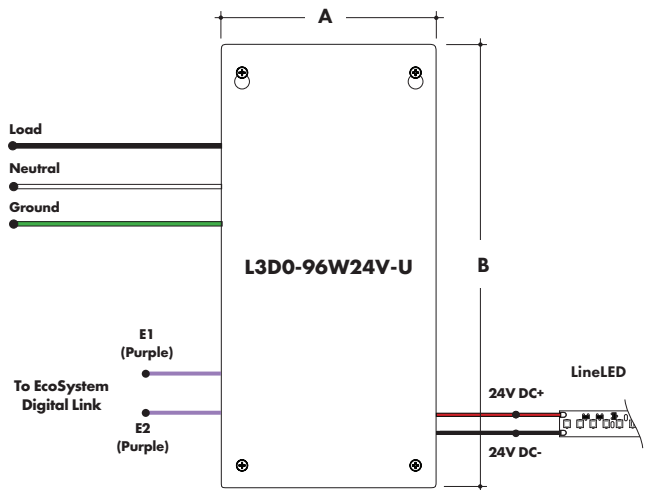


Luminii is a Lutron OEM Advantage Partner

MODEL
L3D0-96W24V-U

HiLume™ 0.1% EcoSystem Voltage LED Driver with Soft-On, Fade-to-Black™

MODELS	L3D0
A Length	10.50"
B Width	5.50"
Depth	2.00"

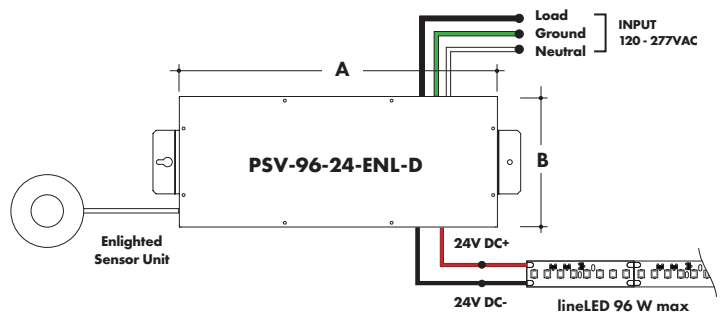


Enlighted Enabled Dimming Power Supplies:

MODEL	POWER	OUTPUT	DIMMING	LOCATION
PSV	96	24	ENL	D

PSV - PSV Series 96 - 96 Watt 24 - 24 VDC ENL - Enlighted Dimming D - Damp

MODELS	96W
A Length	14.40"
B Width	5.20"
Depth	2.60"



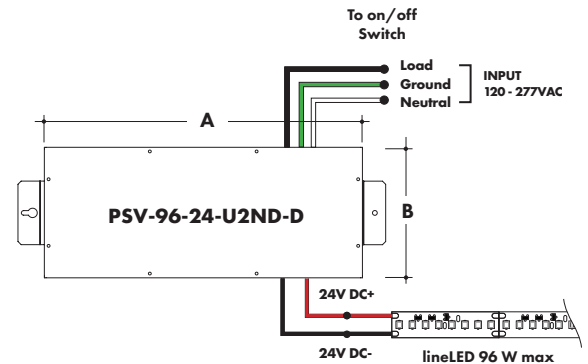
Power Supply

See fixture and power supply instructions & spec sheet for wiring information. Dimming possible in select models - view Luminii website for list of compatible dimmers.

Non-Dimming Power Supply

MODEL	POWER	OUTPUT	DIMMING	LOCATION
PSV	96	24	U2ND	D
PSV - PSV Series	96 - 96 Watt	24 - 24 VDC	U2ND - Non Dimming	D - Damp

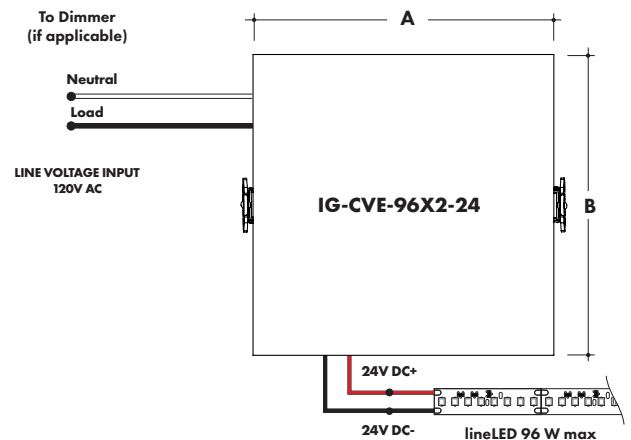
MODELS	96W
A Length	14.40"
B Width	5.20"
Depth	2.60"



In ground, Electronic Low Voltage Dimming Power Supplies

MODEL	POWER	OUTPUT	INPUT
IG	96X2	24	
IG - In ground CVE Series	CVE - ELV Dimming DALI - eldoLED Dali dimming Both dims down to 0.1%	96X2 - 2 X 96 Watt 24 - 24 VDC	Blank - 120 V 277 - 240/277 V

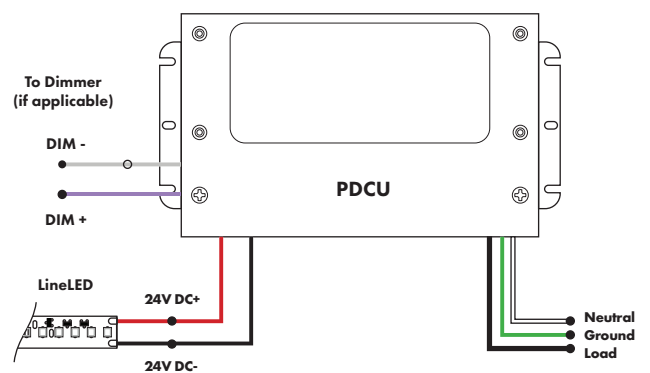
MODELS	Dual Circuit
A Length	8.40"
B Width	8.30"
Depth	8.10"



Universal Power Supply

MODEL	POWER	OUTPUT
PDCU	30	24
PDCU - PDCU Series	30 - 30 Watt	24 - 24 VDC
PDCUe - PDCUe Series	60 - 60 Watt 96 - 96 Watt 3X96 - 3x96 Watt	

- 0-10V - 1% dimming
- MLV/ELV/TRIAC - 1% dimming



MODELS	PDCU 30W	PDCUe 30W	PDCU 60W	PDCUe 60W	PDCU 96W	PDCUe 96W	PDCU 3X96W	PDCUe 3X96W
A Length	6.50"	6.10"	7.40"	7.93"	8.66"	8.25"	11.85"	9.57"
B Width	3.73"	3.35"	3.73"	3.35"	3.73"	4.10"	4.32"	5.94"
Depth	1.61"	1.33"	1.61"	1.32"	1.61"	1.56"	1.81"	1.13"