

# LETO 44 PLUS WM MID

WALL MOUNT LED DOWNLIGHT



**Leto 44 Plus WM MID - Wall Mount LED Light.** Leto 44 Plus WM MID is a wall mounted cylinder LED fixture designed to provide a space with indirect lighting. It is the perfect solution for creating subtle light in your space.

## Ordering Code

Fixture	<b>711</b>							
	1	2	3	4	5	6	7	8
Driver			--	--				
	1	2	3	4				

## Product Specifications

SAMPLE: Fixture **711 - A90 - 610 - 27 - 07 - AR - 08 - 02** | Driver **STD - 120 - A90 - 07**

1 - Model	2 - LED	3 - Optic	4 - CCT	5 - Lumen	6 - Accessory
<b>711</b> · Leto 44 Plus Medium Wall Mount	<b>A90</b> · 93+ CRI Accuracy	<b>610</b> · 10° <b>618</b> · 18° <b>630</b> · 30° <b>645</b> · 45° <b>660</b> · 60°	<b>25</b> · 2500K <b>27</b> · 2700K <b>30</b> · 3000K <b>35</b> · 3500K <b>40</b> · 4000K <b>65</b> · 6500K	<b>07</b> · 700 (6.1W) <b>10</b> · 1000 (9.1W) <b>15</b> · 1500 (14W) <b>20</b> · 2000 (19.8W)	<b>00</b> · No Accessory <b>DL</b> · Diffusing Lens <b>HO</b> · Honeycomb <b>SL</b> · Solite Lens

7 - Body Color		8 - Baffle Color		1 - Driver		Dim Level	
<i>Standard</i>	<i>Premium</i>	<i>Standard</i>	<i>Premium</i>	<b>STD</b> · Non Dimming	N/A	<b>LUTES</b> · Hilume Ecodigital	1%
<b>01</b> · White	<b>52</b> · Mocha	<b>01</b> · White	<b>52</b> · Mocha	<b>LCS</b> · 0 - 10 Volt Protocol	1%	<b>LUT2W</b> · 2 Wire for phase*1	1%
<b>02</b> · Black	<b>53</b> · Charcoal	<b>02</b> · Black	<b>53</b> · Charcoal	<b>DIM</b> · Phase*1	1%	<b>DMX</b> · Senso	
<b>08</b> · Silver	<b>54</b> · Cerulean	<b>08</b> · Silver	<b>54</b> · Cerulean	<b>ELDOLC</b> · EldoLED 0 - 10 Volt	0.1%	<b>EMG</b> · Emergency Driver*2/3	
	<b>55</b> · Firebrick		<b>55</b> · Firebrick	<b>DALI</b> · Dali Protocol	0.1%	<b>CSMB</b> · Casambi Wireless Control*2/3	
	<b>XX</b> · RAL		<b>XX</b> · RAL				

2 - Voltage	3 - LED	4 - Lumen	
<b>120</b> · 120V <b>277</b> · 277V <b>347</b> · 347V*2/4	Same as Fixture	Same as Fixture	*1 120V only *2 remote mount *3 second driver required *4 not available with ELDO, Lutron or DMX

Project : \_\_\_\_\_  
 Quantity : \_\_\_\_\_  
 Type : \_\_\_\_\_  
 Notes : \_\_\_\_\_

# LETO 44 PLUS WM MID

WALL MOUNT LED DOWNLIGHT

## Reflector

### Faceted Reflector

Senso metal spun faceted reflectors are specifically designed to retain as much light as possible. This results in a more power efficient fixture with a higher delivered lumen.



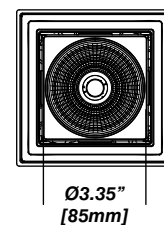
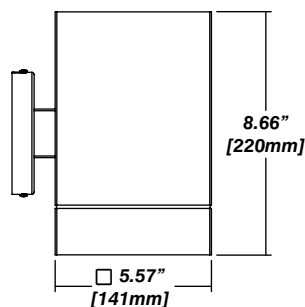
## Installation

- Mounting plate included
- Easy, single motion installation method

## Construction / Finish

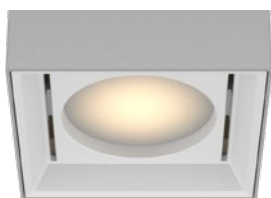
- High quality, scratch resistant powder coated finish in standard, premium or custom colors
- Aluminum extruded Body
- Made in Canada

## Dimensions

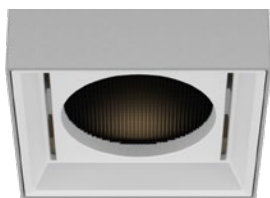


## Accessories

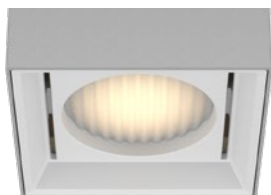
### Diffusing Lens



### Honeycomb Mesh



### Solite Lens



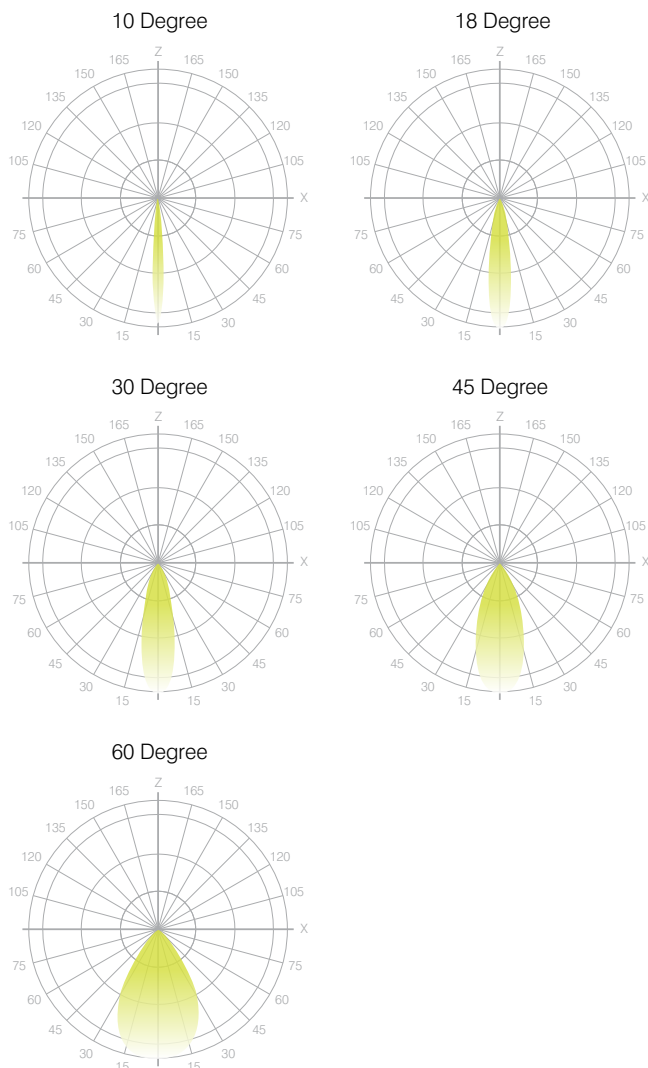
# LETO 44 PLUS WM MID

## WALL MOUNT LED DOWNLIGHT

Senso's in-house photometric testing ensures that our lighting design can match your needs precisely. Our Goniophotometer and testing lab produces on-demand photometry files based on any specified fixture, including LM-79 Test reports, IES Files, and CRI/CCT measurements. See [Sensolighting.com](http://Sensolighting.com) for more information.

*\*Full photometric Reports and IES files available for every configuration*

### Leto 44 Light Distribution



### Color Metrics

#### TM 30-15

Our clients deserve the best information possible about their lighting choices. That's why Senso has invested in the Illuminating Engineering Society (IES) TM 30-15, a new system that measures an LED light source's color rendering properties. Using Senso's state-of-the-art goniophotometer, this method identifies the optimal light source for your project and helps evaluate the trade-offs between efficacy and color rendering. Senso can provide TM 30-15 data for all of our products.

*\*Full Color Metric Info Available at [Sensolighting.com](http://Sensolighting.com)*

### LED Module Performance

**Output:** Up to 110 lumen/Watt

**Efficacy:** Color consistency within a 3-MacAdam Ellipse

**CCT:** 2500K - 6500K

**Color Rendering:** 93+ CRI

**Min. R Values:** R<sup>9</sup> - 60 R<sup>f</sup> - 90 R<sup>a</sup> - 100

### Driver and Power Consumption

**Dimming:** 1% dimming standard with 0.1% option

Casambi wireless control available

**Ripple:** Industry leading Low ripple

**Efficiency:** Power Factor >0.9

Efficiency over 85%

Class 2 output for safety

**Installation:** Canopy or remote mounted

Lumen Option	700lm	1000lm	1500lm	2000lm
Fixture Wattage	6.1W	9.1W	14W	19.8W
Delivered Lumen	656lm	1035lm	1539lm	1917lm