

# LETO 44 PLUS S A MID

SURFACE MOUNT ASYMMETRIC LED DOWNLIGHT



**Leto 44 Plus S A MID - Surface LED Light.** The Leto 44 Plus S A MID is an asymmetric square column, a variant on the Leto 44 Plus S that works well for general lighting and can also be used in other applications.

## Ordering Code

Fixture	<b>708A</b>		--					
	1	2	3	4	5	6	7	8
Driver			--	--				
	1	2	3	4				

## Product Specifications

**SAMPLE:** Fixture **708A - A90 - - - 27 - 07 - DL - 08 - 01** | Driver **STD - 120 - A90 - 07**

1 - Model	2 - LED	3 - Optic	4 - CCT	5 - Lumen	6 - Accessory
<b>708A</b> · Leto 44 Plus Medium Asymmetric Surface Mount	<b>A90</b> · 93+ CRI Accuracy	<i>Leto 44 Plus A is equipped with a fixed beam spread. For other optics please contact SENSO.</i>	<b>25</b> · 2500K <b>27</b> · 2700K <b>30</b> · 3000K <b>35</b> · 3500K <b>40</b> · 4000K <b>65</b> · 6500K	<b>07</b> · 700 (6.1W) <b>10</b> · 1000 (9.1W) <b>15</b> · 1500 (14W) <b>20</b> · 2000 (19.8W)	<b>DL</b> · Diffusing Lens

7 - Body Color		8 - Baffle Color		1 - Driver		Dim Level	
<i>Standard</i>	<i>Premium</i>	<i>Standard</i>	<i>Premium</i>	<b>STD</b> · Non Dimming	N/A	<b>LUTES</b> · Hilume Ecodigital	1%
<b>01</b> · White	<b>52</b> · Mocha	<b>01</b> · White	<b>52</b> · Mocha	<b>LCS</b> · 0 - 10 Volt Protocol	1%	<b>LUT2W</b> · 2 Wire for phase**	1%
<b>02</b> · Black	<b>53</b> · Charcoal	<b>02</b> · Black	<b>53</b> · Charcoal	<b>DIM</b> · Phase**	1%	<b>DMX</b> · Senso	
<b>08</b> · Silver	<b>54</b> · Cerulean	<b>08</b> · Silver	<b>54</b> · Cerulean	<b>ELDOLC</b> · EldoLED 0 - 10 Volt	0.1%	<b>EMG</b> · Emergency Driver** <sup>2/3</sup>	
	<b>55</b> · Firebrick		<b>55</b> · Firebrick	<b>DALI</b> · Dali Protocol	0.1%	<b>CSMB</b> · Casambi Wireless Control** <sup>2/3</sup>	
	<b>XX</b> · RAL		<b>XX</b> · RAL				

2 - Voltage	3 - LED	4 - Lumen		
<b>120</b> · 120V <b>277</b> · 277V <b>347</b> · 347V** <sup>2/4</sup>	Same as Fixture	Same as Fixture	*1 120V only *2 remote mount *3 second driver required *4 not available with ELDO, Lutron or DMX	Project : _____ Quantity : _____ Type : _____ Notes : _____

# LETO 44 PLUS S A MID

## SURFACE MOUNT ASYMMETRIC LED DOWNLIGHT

### Reflector

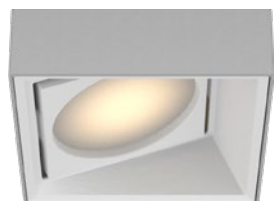
#### Faceted Reflector

Senso metal spun faceted reflectors are specifically designed to retain as much light as possible. This results in a more power efficient fixture with a higher delivered lumen.



### Accessories

#### Diffusing Lens



Senso's in-house photometric testing ensures that our lighting design can match your needs precisely. Our Goniophotometer and testing lab produces on-demand photometry files based on any specified fixture, including LM-79 Test reports, IES Files, and CRI/CCT measurements. See [Sensolighting.com](http://Sensolighting.com) for more information.

*\*Full photometric Reports and IES files available for every configuration*

### Color Metrics

#### TM 30-15

Our clients deserve the best information possible about their lighting choices. That's why Senso has invested in the Illuminating Engineering Society (IES) TM 30-15, a new system that measures an LED light source's color rendering properties. Using Senso's state-of-the-art goniophotometer, this method identifies the optimal light source for your project and helps evaluate the trade-offs between efficacy and color rendering. Senso can provide TM 30-15 data for all of our products.

*\*Full Color Metric Info Available at [Sensolighting.com](http://Sensolighting.com)*

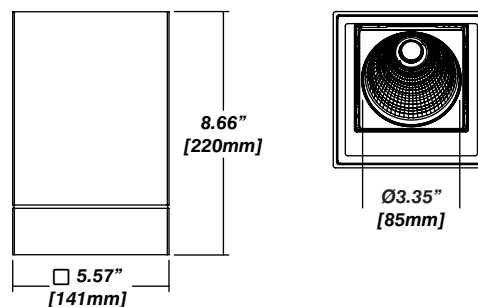
### Installation

- Mounting plate included
- Easy, single motion installation method

### Construction / Finish

- High quality, scratch resistant powder coated finish in standard, premium or custom colors
- Aluminum extruded Body
- Made in Canada

### Dimensions



### LED Module Performance

**Output:** Up to 113 lumen/Watt

**Efficacy:** Color consistency within a 3-MacAdam Ellipse

**CCT:** 2500K - 6500K

**Color Rendering:** 93+ CRI

**Min. R Values:** R<sup>9</sup> - 60 R<sup>f</sup> - 90 R<sup>a</sup> - 100

### Driver and Power Consumption

**Dimming:** 1% dimming standard with 0.1% option  
Casambi wireless control available

**Ripple:** Industry leading Low ripple

**Efficiency:** Power Factor >0.9

Efficiency over 85%

Class 2 output for safety

**Installation:** Canopy or remote mounted

Lumen Option	700lm	1000lm	1500lm	2000lm
Fixture Wattage	6.1W	9.1W	14W	19.8W
Delivered Lumen	656lm	1035lm	1539lm	1917lm