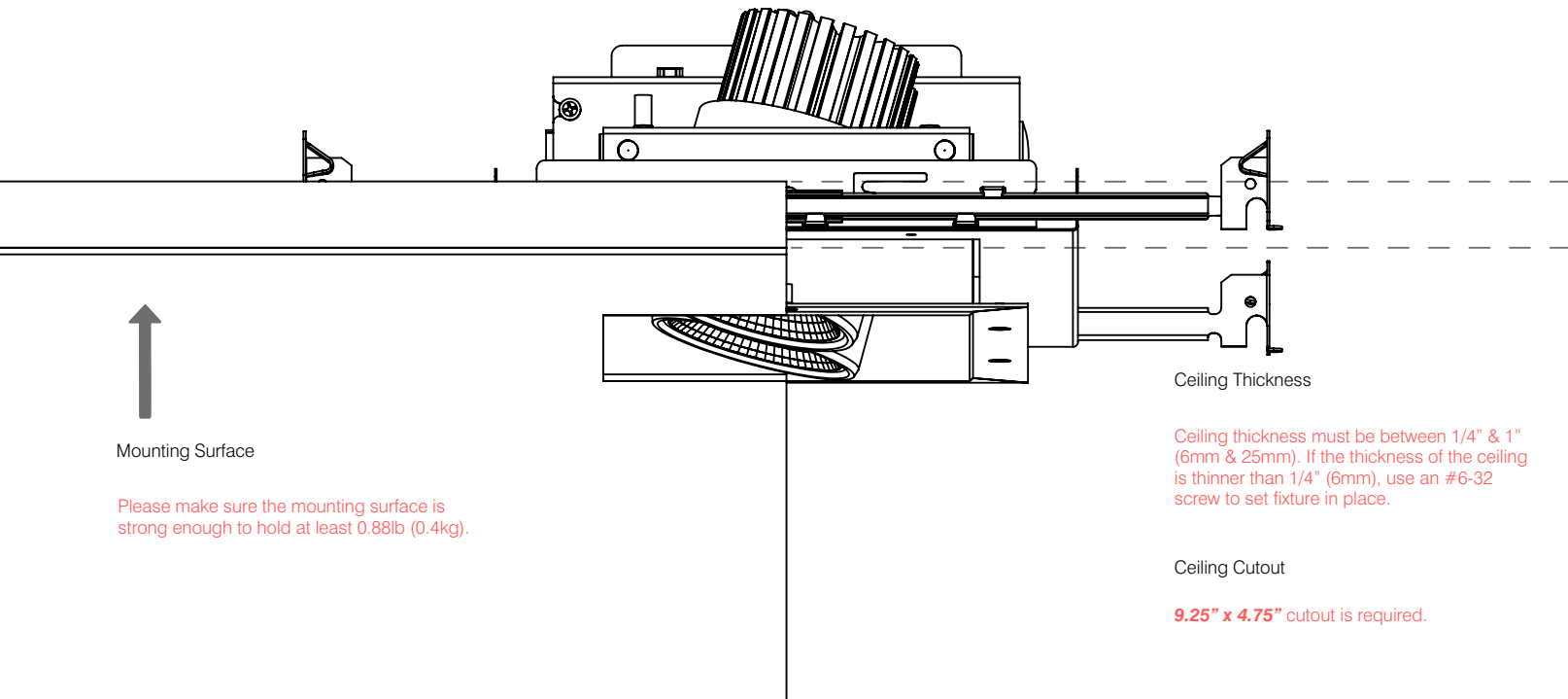


# LETO 21 Double

 **senso**  
by luminii

## Overview



### Read and follow these instructions before installing or maintaining this product

- This product is suitable for **DRY INDOOR LOCATIONS ONLY**
- Make sure this product is **NOT** on the same circuit as inductive loads, (e.g. fluorescent bulbs, discharge bulbs, ventilation fans, etc...)
- Allow air to flow freely around the fixture
- Do not switch on line voltage until all wiring is complete
- Incorrect wiring will result in irreparable damage to LED and power supply
- This product should only be installed by a licensed electrician

### Veuillez lire et suivre ces instructions avant l'installation ou l'entretien de ce produit

- Ce produit convient pour une installation **DANS UN ENDROIT SEC SEULEMENT**
- Assurer vous que des charges inductives ne se retrouvent pas sur le même circuit que ce produit, (i.e. fluorescent, ampoules à décharge, ventilateurs, etc...)
- Permettre à l'air de circuler librement autour du luminaire
- Compléter les branchements avant de mettre sous tension
- Un branchement incorrect créerait des dommages irréparables à l'alimentation et au DEL
- Ce produit devrait être uniquement installé par un électricien qualifié

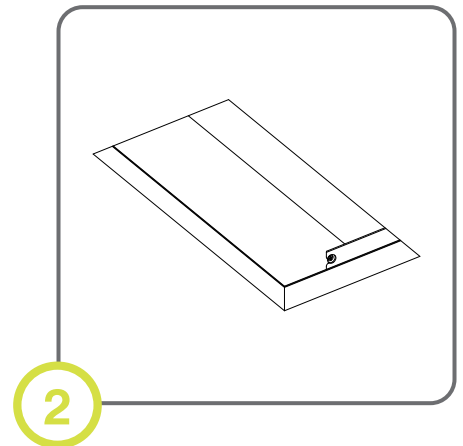
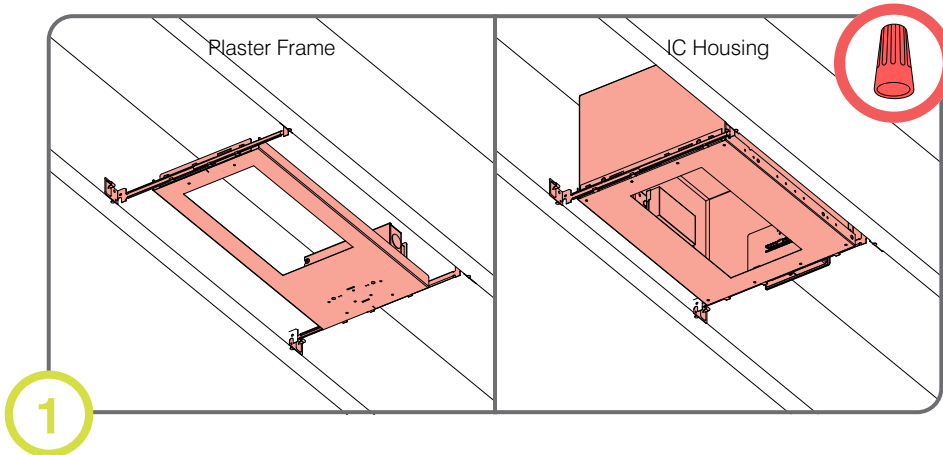
### Warranty

- This product must be installed in accordance with all applicable installation codes and ordinance
- Limited five (5) years warranty
- Warranty is void in the eventuality of unauthorized modifications and/or improper use

### Garantie

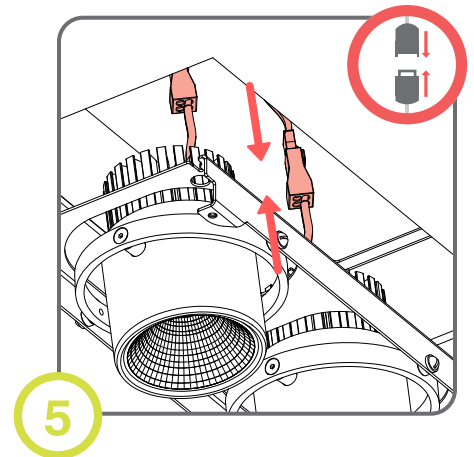
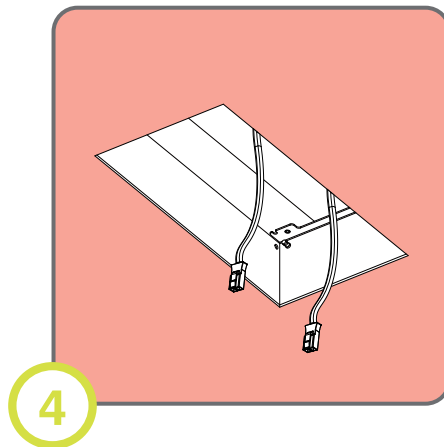
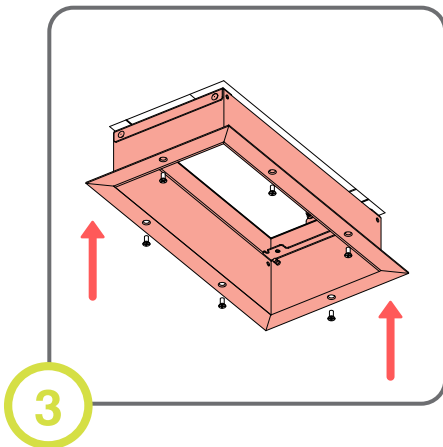
- Ce produit doit être installé conformément au code d'installation et autres normes applicables
- Garantie limitée de cinq (5) ans
- La garantie est non valide advenant une modification non autorisée ou un usage non approprié

# LETO 21 Double



1 Install appropriate housing between ceiling joists. Connect the driver to the line voltage and ground to enclosure.

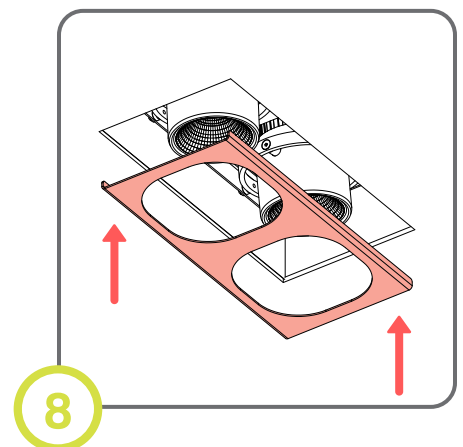
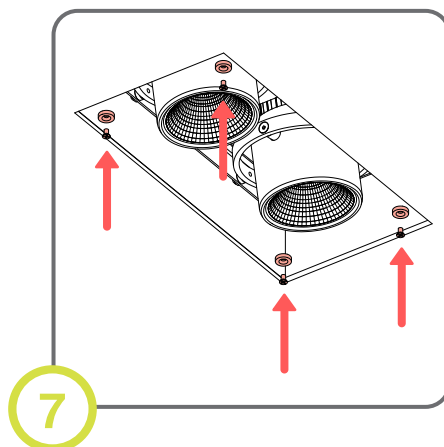
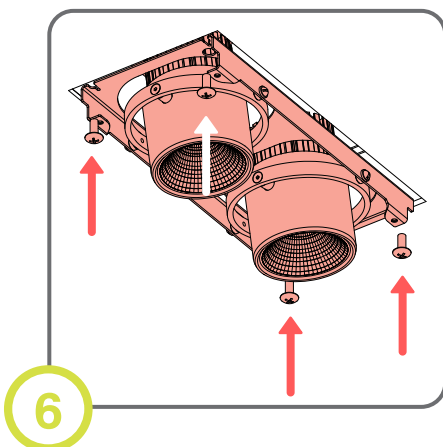
2 Install ceiling. Make sure hole is cut to appropriate size and location. 9.25" x 4.75"



3 Insert Spackle trim and secure in place with #6 drywall screws.

4 Mud over trim and finish ceiling installation.

5 Ensure power is off. Lower quick connect wire from ceiling and connect to fixture until you hear a click.

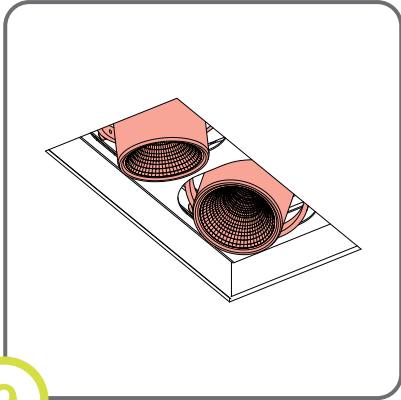


6 Insert fixture assembly into spackle trim. Secure in place at each corner with screws

7 Screw magnets in place on the fixture brackets.

8 Raise trim plate up until it is held in place by magnets.

# LETO 21 Double



9

Adjust head to desired angle.