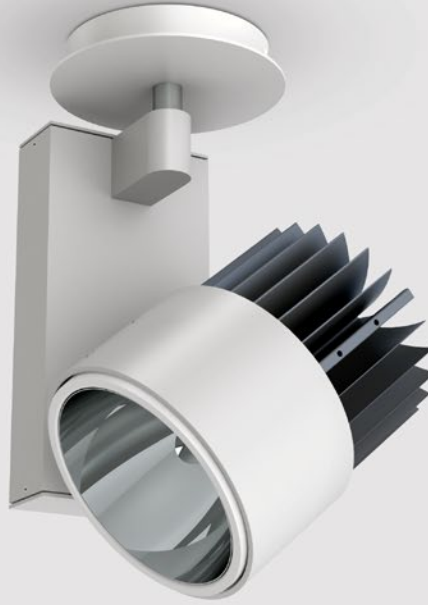


# LETO 15

TRACK LED SPOTLIGHT



**Leto 15 - Surface Mount Spotlight.** The Leto 15 spotlight is a robust LED lighting solution with powerful options. This fixture has many stylish applications and can be used in warehouses, high office bays or open ceiling concepts using the canopy mounting system function.

## Ordering Code

Fixture	<b>615</b>						
	1	2	3	4	5	6	7
Driver			--	--			
	1	2	3	4			

## Product Specifications

**SAMPLE:** Fixture **615 - A90 - 624 - 27 - 20 - 01** | Driver **STD - 120 - A90 - 07**

1 - Model	2 - CRI/LED	3 - Optic	4 - CCT	5 - Lumen	6 - Finish	7 - Accessory
<b>615</b> · Leto 15	<b>A90</b> · 93+ CRI Accuracy	<b>624</b> · 24° <b>640</b> · 40°	<b>25</b> · 2500K <b>27</b> · 2700K <b>30</b> · 3000K <b>35</b> · 3500K <b>40</b> · 4000K <b>65</b> · 6500K	<b>20</b> · 2000 (20.8W) <b>30</b> · 3000 (33.7W) <b>40</b> · 4000 (52W) <b>50</b> · 5000 (69W)	<b>01</b> · White <b>02</b> · Black <b>08</b> · Silver <b>XX</b> · Custom	<b>00</b> · No Accessory <b>HO</b> · Honeycomb <b>SN</b> · Snoot

1 - Driver	Dim Level	Dim Level	2 - Voltage	3 - LED	4 - Lumen
<b>STD</b> · Non Dimming	N/A	<b>DALI</b> · Dali Protocol	<b>120</b> · 120V	Same as Fixture	Same as Fixture
<b>LCS</b> · 0 - 10 Volt Protocol	10%	<b>LUTES</b> · Hilume Ecodigital	<b>277</b> · 277V		
<b>DIM</b> · Phase* <sup>1</sup>	10%	<b>LUT2W</b> · 2 Wire for phase* <sup>1</sup>	<b>347</b> · 347V* <sup>2</sup>		
<b>ELDOLC</b> · EldoLED 0 - 10 Volt	0.1%	<b>CSMB</b> · Casambi Wireless Control* <sup>3</sup>			

\*1 120V only  
\*2 not available with ELDO or Lutron  
\*3 specified separately

Project : \_\_\_\_\_  
Quantity : \_\_\_\_\_  
Type : \_\_\_\_\_  
Notes : \_\_\_\_\_

# LETO 15

TRACK LED SPOTLIGHT

## Accessories

### Snoot

- Rigid opaque acrylic
- Creates a subtle accent detail
- Helps uniformly direct light

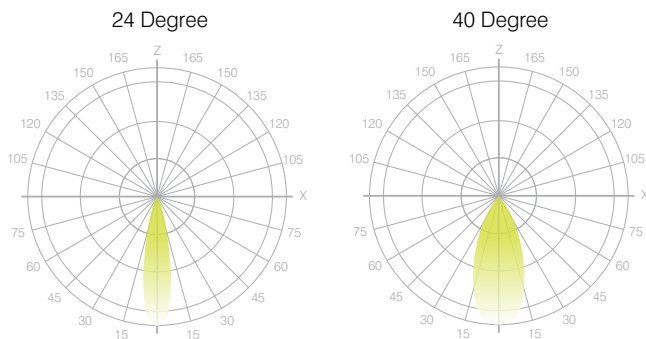


### Honeycomb Louver

- 95% open area with 45° cut-off
- Made from cold-rolled steel
- Black polymer coating with eggshell finish



## Leto Light Distribution

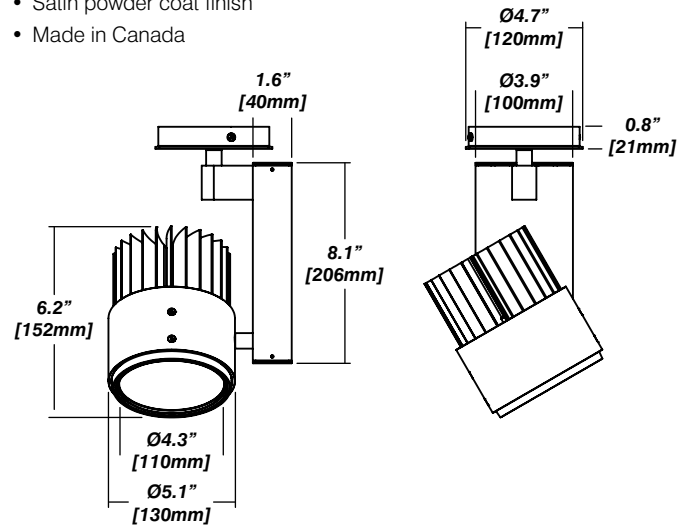


## General

- 350° rotation
- 0° to 130° tilt and lock
- Available as track system version

## Construction / Finish

- Cast Aluminum Trim and Steel Casing
- Satin powder coat finish
- Made in Canada



## LED Module Performance

- Output:** Up to 93 lumen/Watt
- Efficacy:** Color consistency within a 3-MacAdam Ellipse
- CCT:** 2500K - 6500K
- Color Rendering:** 93+ CRI
- Min. R Values:** R<sup>9</sup> - 60 R<sup>f</sup> - 90 R<sup>a</sup> - 100

## Driver and Power Consumption

- Dimming:** 1% dimming standard with 0.1% option
- Ripple:** Industry leading Low ripple
- Efficiency:** Power Factor >0.9  
Efficiency over 85%  
Class 2 output for safety
- Installation:** Remote mounted

Lumen Option	2000lm	3000lm	4000lm	5000lm
Fixture Wattage	20.8W	33.7W	52W	69W
Delivered Lumen	1951lm	2990lm	4065lm	4812lm

## Photometrics

Senso's in-house photometric testing ensures that our lighting design can match your needs precisely. Our Goniophotometer and testing lab produces on-demand photometry files based on any specified fixture, including LM-79 Test reports, IES Files, and CRI/CCT measurements. See [Sensolighting.com](http://Sensolighting.com) for more information.

*\*Full photometric Reports and IES files available for every configuration*

## Color Metrics

### TM 30-15

Our clients deserve the best information possible about their lighting choices. That's why Senso has invested in the Illuminating Engineering Society (IES) TM 30-15, a new system that measures an LED light source's color rendering properties. Using Senso's state-of-the-art goniophotometer, this method identifies the optimal light source for your project and helps evaluate the trade-offs between efficacy and color rendering. Senso can provide TM 30-15 data for all of our products.

*\*Full Color Metric Info Available at [Sensolighting.com](http://Sensolighting.com)*