

LETO 11.5 A

ASYMMETRIC LED DOWNLIGHT



Leto 11.5 A - Asymmetric Pendant LED Light. LETO 11.5 A is a compact version of the full sized LETO 11 A. Ideal when you need to draw attention to a wall mounted subject. It is best suited for use in Art Galleries, Museums, or to accentuate home decor.

Ordering Code

Fixture	697A							
	1	2	3	4	5	6	7	8
Driver							--	--
	1	2	3	4	5	6	7	8

Product Specifications

SAMPLE: Fixture **697A - A90 - - - 27 - 07 - DL - 08 - 08** | Driver **952 - 08 - 02 - 01 - LCS - 120 - A90 - 07**

1 - Model	2 - LED	3 - Optic	4 - CCT	5 - Lumen	6 - Accessory
697A · Leto 11 A	A90 · Accuracy	Leto 11 A is equipped with a fixed beam spread. For other optics please contact SENSO .	25 · 2500K 27 · 2700K 30 · 3000K 35 · 3500K 40 · 4000K 65 · 6500K	07 · 700 (6.5W) 10 · 1000 (9.3W)	DL · Diffusing Lens

7 - Body Color		8 - Baffle Color		1 - Canopy Style	2 - Canopy Color		3 - Suspension (6' incl.)
<i>Standard</i>	<i>Premium</i>	<i>Standard</i>	<i>Premium</i>	951 · Round	<i>Standard</i>	<i>Premium</i>	02 · 2 Aircraft + Feed Cable
01 · White	52 · Mocha	01 · White	52 · Mocha	951F · Round Flangeless	01 · White	52 · Mocha	03 · Solid Stem (6' MAX)
02 · Black	53 · Charcoal	02 · Black	53 · Charcoal	952 · Square	02 · Black	53 · Charcoal	04 · Hang Straight Solid Stem
08 · Silver	54 · Cerulean	08 · Silver	54 · Cerulean		08 · Silver	54 · Cerulean	05 · 2 Powered Aircraft ^{*1}
	55 · Firebrick		55 · Firebrick			55 · Firebrick	Contact Senso for custom length
	XX · RAL		XX · RAL			XX · RAL	

4 - Feed Cable	5 - Driver	Dim Level	Dim Level	6 - Voltage	7 - LED	8 - Lumen
00 · None ^{*1}	STD · Non Dimming	N/A	LUT2W · 2 Wire for phase ^{*2/3}	120 · 120V	Same as Fixture	Same as Fixture
01 · White	LCS · 0 - 10 Volt Protocol	1%	LUT5S · 5 Series Eco System ^{*3}	277 · 277V		
02 · Black	DIM · Phase ^{*2}	1%	DMX · Senso ^{*5}	347 · 347V ^{*4}		
03 · Clear	ELDOLC · EldoLED 0 - 10 Volt ^{*3}	0.1%	EMG · Emergency Driver ^{*5/6}			
XX · Custom	DALI · Dali Protocol ^{*3}	0.1%	CSMB · Casambi Wireless Control ^{*5/6}			
	LUTES · Hilume Ecodigital ^{*3}	1%				

*1 no feed cable color option for **05** - 2 Powered Aircraft
*2 120V only
*3 requires square canopy

*4 remote mount driver
*5 second driver required
*6 not available with ELDO, Lutron or DMX

LETO 11.5 A

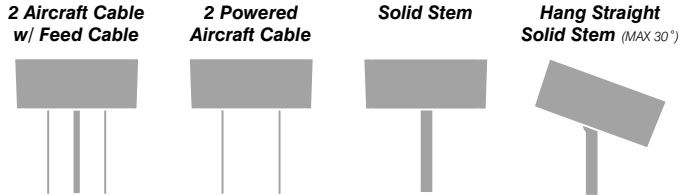
ASYMMETRIC LED DOWNLIGHT



Canopy / Suspension

Round Canopy: W - Ø5.17" [131.24 mm] / H - 2.36" [60mm]

Square Canopy: W/L - 5.67" [144mm] / H - 2.28" [58mm]



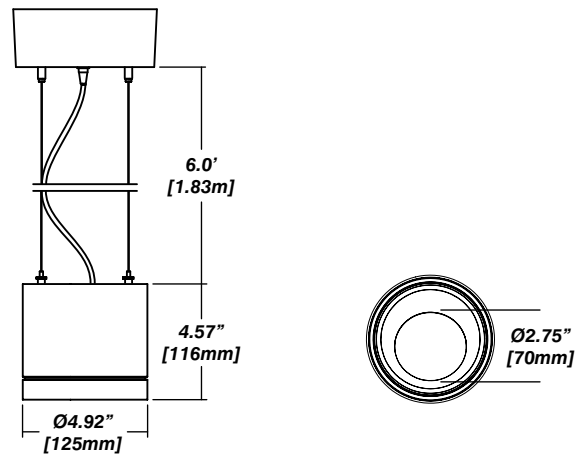
Installation

- The included canopy fits on a standard junction box
- Height adjustable aircraft cable and feed cable included
- Electrical feed cable included

Construction / Finish

- High quality, scratch resistant powder coated finish in standard, premium or custom colors
- Aluminum extruded Body
- Made in Canada

Dimensions



Reflector

Senso metal spun faceted reflectors are specifically designed to retain as much light as possible. This results in a more power efficient fixture with a higher delivered lumen.



LED Module Performance

Output: Up to 150 lumen/Watt

Efficacy: Color consistency within a 3-MacAdam Ellipse

CCT: 2500K - 6500K

Color Rendering: 90+ CRI

Min. R Values: R⁹ - 60 R^f - 90 R⁹ - 100

Driver and Power Consumption

Dimming: 1% dimming standard with 0.1% option
Casambi wireless control available

Ripple: Industry leading Low ripple

Efficiency: Power Factor >0.9

Efficiency over 85%

Class 2 output for safety

Installation: Remote mounted

Lumen Option	700lm	1000lm	1500lm
Fixture Wattage	6.5W	9.3W	12.5W
Delivered Lumen	656lm	1035lm	1347lm

Photometrics

Senso's in-house photometric testing ensures that our lighting design can match your needs precisely. Our Goniophotometer and testing lab produces on-demand photometry files based on any specified fixture, including LM-79 Test reports, IES Files, and CRI/CCT measurements. See Sensolighting.com for more information.

**Full photometric Reports and IES files available for every configuration*

Color Metrics

TM 30-15

Our clients deserve the best information possible about their lighting choices. That's why Senso has invested in the Illuminating Engineering Society (IES) TM 30-15, a new system that measures an LED light source's color rendering properties. Using Senso's state-of-the-art goniophotometer, this method identifies the optimal light source for your project and helps evaluate the trade-offs between efficacy and color rendering. Senso can provide TM 30-15 data for all of our products.

**Full Color Metric Info Available at Sensolighting.com*

LETO 11.5 A

ASYMMETRIC LED DOWNLIGHT

