

LETO 11 WM UD Wet



WET RATED WALL MOUNTED LED UPLIGHT AND DOWNLIGHT



Leto 11 WM UD Wet - Wet Rated Wall Mount LED Light. LETO 11 WM UD Wet is a wet rated version of the Leto 11 WM UD designed to provide a spaces that require wet ratings with direct lighting. It is the perfect solution for creating subtle light in your space.

Ordering Code

Fixture	748							
	1	2	3	4	5	6	7	8
Driver			--	--				
	1	2	3	4				

Product Specifications

SAMPLE: Fixture **748 - A90 - 610 - 27 - 07 - AR - 08 - 02** | Driver **910 - STD - 120 - A90 - 07**

1 - Model	2 - LED	3 - Optic	4 - CCT	5 - Lumen		6 - Accessory	7 - Body Color	
748 · Leto 11 WM UD Wet Rated	A90 · Accuracy 90+ CRI	610 · 10° 618 · 18° 630 · 30° 645 · 45° 660 · 60°	25 · 2500K 27 · 2700K 30 · 3000K 35 · 3500K 40 · 4000K 65 · 6500K	<i>Down</i> 07 · 700 10 · 1000 13 · 1300	<i>Up</i> 07 · 700 10 · 1000	CL · Clear Lens DL · Diffusing Lens	<i>Standard</i> 01 · White 02 · Black 08 · Silver	<i>Premium</i> 52 · Mocha 53 · Charcoal 54 · Cerulean 55 · Firebrick XX · RAL

8 - Baffle Color	1 - Housing	2 - Driver	Dim Level	Dim Level
<i>Standard</i> 01 · White 02 · Black 08 · Silver	910 · Remote Driver Housing	STD · Non Dimming LCS · 0 - 10 Volt Protocol DIM · Phase ^{*1/2} ELDOLC · EldoLED 0 - 10 Volt ^{*2} DALI · Dali Protocol ^{*2}	N/A 1% 1% 0.1% 0.1%	LUTES · Hilume Ecodigital ^{*2} 1% LUT2W · 2 Wire for phase ^{*1/2} 1% DMX · SENSO ^{*2} EMG · Emergency Driver ^{*2/3} CSMB · Casambi Wireless Control ^{*2/3}
<i>Premium</i> 52 · Mocha 53 · Charcoal 54 · Cerulean 55 · Firebrick XX · RAL				

3 - Voltage	4 - LED	5 - Lumen		
120 · 120V 277 · 277V 347 · 347V ^{*2/4}	Same as Fixture	Same as Fixture	*1 120V only *2 remote mount *3 second driver required *4 not available with ELDO, Lutron or DMX	
			Project :	_____
			Quantity :	_____
			Type :	_____
			Notes :	_____

LETO 11 WM UD Wet

WET RATED WALL MOUNTED LED UPLIGHT AND DOWNLIGHT



Reflectors

Senso metal spun faceted reflectors are specifically designed to retain as much light as possible. This results in a more power efficient fixture with a higher delivered lumen.

Faceted Reflector



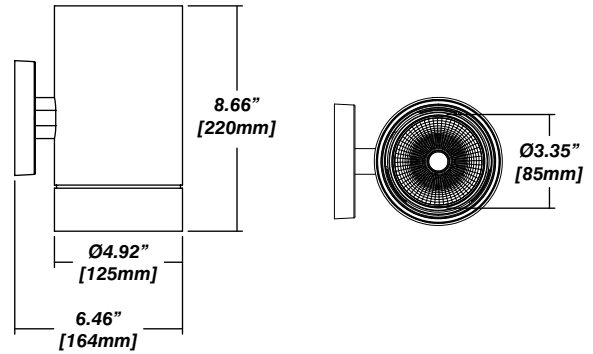
Installation

- Mounting plate included
- Easy, single motion installation method

Construction / Finish

- High quality, scratch resistant powder coated finish in standard, premium or custom colors
- Aluminum extruded Body
- Made in Canada

Dimensions



Accessories

Clear Lens



Diffusing Lens



LETO 11 WM UD Wet



WET RATED WALL MOUNTED LED UPLIGHT AND DOWNLIGHT

Photometrics

Senso's in-house photometric testing ensures that our lighting design can match your needs precisely. Our Goniophotometer and testing lab produces on-demand photometry files based on any specified fixture, including LM-79 Test reports, IES Files, and CRI/CCT measurements. See Sensolighting.com for more information.

**Full photometric Reports and IES files available for every configuration*

Color Metrics

TM 30-15

Our clients deserve the best information possible about their lighting choices. That's why Senso has invested in the Illuminating Engineering Society (IES) TM 30-15, a new system that measures an LED light source's color rendering properties. Using Senso's state-of-the-art goniophotometer, this method identifies the optimal light source for your project and helps evaluate the trade-offs between efficacy and color rendering. Senso can provide TM 30-15 data for all of our products.

**Full Color Metric Info Available at Sensolighting.com*

LED Module Performance

Output: Up to 150 lumen/Watt

Efficacy: Color consistency within a 3-MacAdam Ellipse

CCT: 2500K - 6500K

Color Rendering: 90+ CRI

Min. R Values: R⁹ - 60 R^f - 90 R^a - 100

Driver and Power Consumption

Dimming: 1% dimming standard with 0.1% option
Casambi wireless control available

Ripple: Industry leading Low ripple

Efficiency: Power Factor >0.9
Efficiency over 85%
Class 2 output for safety

Installation: Remote mounted

Lumen Option	700lm	1000lm	1300lm
Fixture Wattage	6.5W	9.3W	12.5W
Delivered Lumen	656lm	1035lm	1347lm

Leto Light Distribution: Reflector

