

# LETO 11 WM A

WALL MOUNT ASYMMETRIC LED DOWNLIGHT



**Leto 11 WM A - Wall Mount LED Light.** LETO 11 WM A is a wall mounted cylinder LED fixture that casts light away from the wall filling your space with more functional indirect light.

## Ordering Code

|         |             |   |    |    |   |   |   |   |
|---------|-------------|---|----|----|---|---|---|---|
| Fixture | <b>745A</b> |   | -- |    |   |   |   |   |
|         | 1           | 2 | 3  | 4  | 5 | 6 | 7 | 8 |
| Driver  |             |   | -- | -- |   |   |   |   |
|         | 1           | 2 | 3  | 4  |   |   |   |   |

## Product Specifications

**SAMPLE:** Fixture **745A - A90 - - - 27 - 07 - DL - 08 - 02** | Driver **STD - 120 - A90 - 07**

| 1 - Model                  | 2 - LED               | 3 - Optic  | 4 - CCT  | 5 - Lumen   | 6 - Accessory              |
|----------------------------|-----------------------|--|--|---|----------------------------|
| <b>745A</b> · Leto 11 WM A | <b>A90</b> · Accuracy | Leto 11 WM A is equipped with a fixed beam spread.<br>For other optics please contact SENSO. | <b>25</b> · 2500K<br><b>27</b> · 2700K<br><b>30</b> · 3000K<br><b>35</b> · 3500K<br><b>40</b> · 4000K<br><b>65</b> · 6500K | <b>07</b> · 700 (6.5W)<br><b>10</b> · 1000 (9.3W)<br><b>15</b> · 1500 (12.5W) | <b>DL</b> · Diffusing Lens |

| 7 - Body Color     |                       | 8 - Baffle Color   |                       | 1 - Driver  | Dim Level | Dim Level  |
|--------------------|-----------------------|--------------------|-----------------------|---|-----------|--|
| <i>Standard</i>    | <i>Premium</i>        | <i>Standard</i>    | <i>Premium</i>        | <b>STD</b> · Non Dimming                          | N/A       | <b>LUT2W</b> · 2 Wire for phase <sup>*1/2</sup> 1%     |
| <b>01</b> · White  | <b>52</b> · Mocha     | <b>01</b> · White  | <b>52</b> · Mocha     | <b>LCS</b> · 0 - 10 Volt Protocol                 | 1%        | <b>LUT5S</b> · 5 Series Eco System <sup>*2</sup> 5%    |
| <b>02</b> · Black  | <b>53</b> · Charcoal  | <b>02</b> · Black  | <b>53</b> · Charcoal  | <b>DIM</b> · Phase <sup>*1</sup>                  | 1%        | <b>DMX</b> · SENSO <sup>*2</sup>                       |
| <b>08</b> · Silver | <b>54</b> · Cerulean  | <b>08</b> · Silver | <b>54</b> · Cerulean  | <b>ELDOLC</b> · EldoLED 0 - 10 Volt <sup>*2</sup> | 0.1%      | <b>EMG</b> · Emergency Driver <sup>*2/3</sup>          |
|                    | <b>55</b> · Firebrick |                    | <b>55</b> · Firebrick | <b>DALI</b> · Dali Protocol <sup>*2</sup>         | 0.1%      | <b>CSMB</b> · Casambi Wireless Control <sup>*2/3</sup> |
|                    | <b>XX</b> · RAL       |                    | <b>XX</b> · RAL       | <b>LUTES</b> · Hilume Ecodigital <sup>*2</sup>    | 1%        |  |

| 2 - Voltage   | 3 - LED         | 4 - Lumen       |   |
|---|-----------------|-----------------|---|
| <b>120</b> · 120V<br><b>277</b> · 277V<br><b>347</b> · 347V <sup>*2/4</sup> | Same as Fixture | Same as Fixture | *1 120V only<br>*2 remote mount<br>*3 second driver required<br>*4 not available with ELDO, Lutron or DMX |

Project : \_\_\_\_\_  
 Quantity : \_\_\_\_\_  
 Type : \_\_\_\_\_  
 Notes : \_\_\_\_\_

# LETO 11 WM A

WALL MOUNT ASYMMETRIC LED DOWNLIGHT



## Reflector

Senso metal spun faceted reflectors are specifically designed to retain as much light as possible. This results in a more power efficient fixture with a higher delivered lumen.



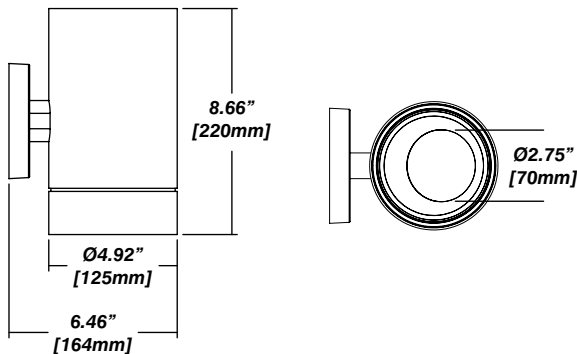
## Installation

- Mounting plate included
- Easy, single motion installation method

## Construction / Finish

- High quality, scratch resistant powder coated finish in standard, premium or custom colors
- Aluminum extruded Body
- Made in Canada

## Dimensions



## Photometrics

Senso's in-house photometric testing ensures that our lighting design can match your needs precisely. Our Goniophotometer and testing lab produces on-demand photometry files based on any specified fixture, including LM-79 Test reports, IES Files, and CRI/CCT measurements. See [Sensolighting.com](http://Sensolighting.com) for more information.

*\*Full photometric Reports and IES files available for every configuration*

## Color Metrics

### TM 30-15

Our clients deserve the best information possible about their lighting choices. That's why Senso has invested in the Illuminating Engineering Society (IES) TM 30-15, a new system that measures an LED light source's color rendering properties. Using Senso's state-of-the-art goniophotometer, this method identifies the optimal light source for your project and helps evaluate the trade-offs between efficacy and color rendering. Senso can provide TM 30-15 data for all of our products.

*\*Full Color Metric Info Available at [Sensolighting.com](http://Sensolighting.com)*

## LED Module Performance

- Output:** Up to 150 lumen/Watt
- Efficacy:** Color consistency within a 3-MacAdam Ellipse
- CCT:** 2500K - 6500K
- Color Rendering:** 90+ CRI
- Min. R Values:** R<sup>9</sup> - 60 R<sup>f</sup> - 90 R<sup>a</sup> - 100

## Driver and Power Consumption

- Dimming:** 1% dimming standard with 0.1% option  
Casambi wireless control available
- Ripple:** Industry leading Low ripple
- Efficiency:** Power Factor >0.9  
Efficiency over 85%  
Class 2 output for safety
- Installation:** Remote mounted

| Lumen Option    | 700lm | 1000lm | 1500lm |
|-----------------|-------|--------|--------|
| Fixture Wattage | 6.5W  | 9.3W   | 12.5W  |
| Delivered Lumen | 656lm | 1035lm | 1347lm |

# LETO 11 WM A

WALL MOUNT ASYMMETRIC LED DOWNLIGHT

