

LETO 11 Wet

WET RATED PENDANT LED DOWNLIGHT



Leto 11 Wet - Wet Rated Pendant LED Downlight. Leto 11 is a large cylinder LED pendant designed for general light. It is the perfect pendant for creating even light throughout your space without distracting from your design.

Ordering Code

Fixture	694							
	1	2	3	4	5	6	7	8
Driver							--	--
	1	2	3	4	5	6	7	8

Product Specifications

SAMPLE: Fixture **694 - A90 - 610 - 27 - 07 - CL - 08 - 02** | Driver **951 - 08 - 00 - 01 - LCS - 120 - A90 - 07**

1 - Model	2 - CRI/LED	3 - Optic	4 - CCT	5 - Lumen	6 - Accessory
694 - Leto 11 Wet	A90 • Accuracy 90+ CRI WD • Warm Dim ¹	610 • 10° 618 • 18° 630 • 30° 645 • 45° 660 • 60°	25 • 2500K 27 • 2700K 30 • 3000K 35 • 3500K 40 • 4000K 65 • 6500K WD • 1800K - 3000K ¹	07 • 700 10 • 1000 15 • 1500 20 • 2000 <i>Wattage on page 3</i>	CL • Clear Lens DL • Diffusing Lens

7 - Body Color		8 - Baffle Color		1 - Canopy Style	2 - Canopy Color		3 - Suspension
<i>Standard</i>	<i>Premium</i>	<i>Standard</i>	<i>Premium</i>	951 • Round	<i>Standard</i>	<i>Premium</i>	03 • Solid Stem (6' MAX) <i>Contact Senso for custom length</i>
01 • White	52 • Mocha	01 • White	52 • Mocha		01 • White	52 • Mocha	
02 • Black	53 • Charcoal	02 • Black	53 • Charcoal		02 • Black	53 • Charcoal	
08 • Silver	54 • Cerulean	08 • Silver	54 • Cerulean		08 • Silver	54 • Cerulean	
	55 • Firebrick		55 • Firebrick			55 • Firebrick	
	XX • RAL		XX • RAL			XX • RAL	

4 - Stem Color	5 - Driver		6 - Voltage		7 - LED	8 - Lumen
	Dim Level	Dim Level				
01 • White	STD • Non Dimming	N/A	LUTES • Hilume Ecodigital ³	1%	120 • 120V	Same as Fixture
02 • Black	LCS • 0 - 10 Volt Protocol	1%	LUT2W • 2 Wire for phase ^{2/3}	1%	277 • 277V	Same as Fixture
08 • Silver	DIM • Phase ^{2/3}	1%	DMX • Senso ³		347 • 347V ⁵	
XX • Custom	ELDOLC • 0 - 10 Volt Protocol ³	0.1%	EMG • Emergency Driver ^{3/4}			
	ELDODA • Dali Protocol ³	0.1%	CSMB • Casambi Wireless Control ^{3/4}			

¹ only required with **WD** option

² 120V only

³ remote mount driver

⁴ second driver required

⁵ not available with ELDO, Lutron or DMX



LETO 11 Wet

WET RATED PENDANT LED DOWNLIGHT

Canopy / Suspension

Round Canopy: W - Ø5.17" [131.24 mm]
H - 2.36" [60mm]

Solid Stem



Reflectors

Senso metal spun faceted reflectors are specifically designed to retain as much light as possible. This results in a more power efficient fixture with a higher delivered lumen.

Faceted Reflector

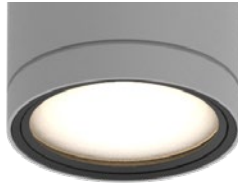


Accessories

Clear Lens



Diffusing Lens



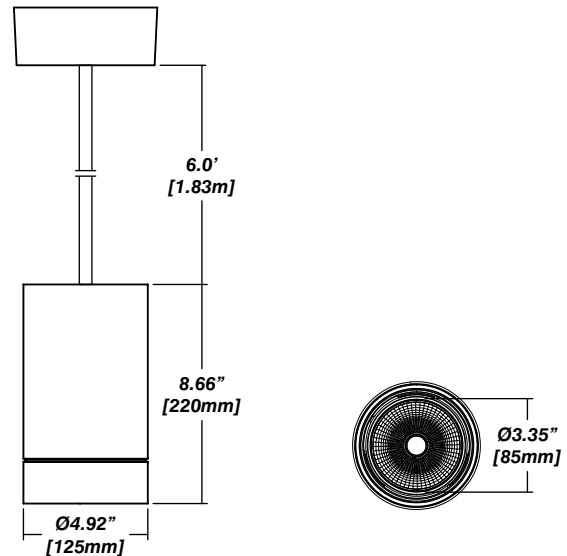
Installation

- The included canopy fits on a standard junction box
- Silicone seal around canopy (supplied by others)
- Solid stem suspension (specify height) included

Construction / Finish

- High quality, scratch resistant powder coated finish in standard, premium or custom colors
- GORE® vented shade
- Factory sealed aluminum extruded body for optimized elemental resistance
- Made in Canada

Dimensions



LETO 11 Wet

WET RATED PENDANT LED DOWNLIGHT



Photometrics

Senso's in-house photometric testing ensures that our lighting design can match your needs precisely. Our Goniophotometer and testing lab produces on-demand photometry files based on any specified fixture, including LM-79 Test reports, IES Files, and CRI/CCT measurements. See Sensolighting.com for more information.

**Full photometric Reports and IES files available for every configuration*

Color Metrics

TM 30-15

Our clients deserve the best information possible about their lighting choices. That's why Senso has invested in the Illuminating Engineering Society (IES) TM 30-15, a new system that measures an LED light source's color rendering properties. Using Senso's state-of-the-art goniophotometer, this method identifies the optimal light source for your project and helps evaluate the trade-offs between efficacy and color rendering. Senso can provide TM 30-15 data for all of our products.

**Full Color Metric Info Available at Sensolighting.com*

LED Module Performance

Output: Up to 150 lumen/Watt

Efficacy: Color consistency within a 3-MacAdam Ellipse

CCT: 2500K - 6500K

Color Rendering: 90+ CRI

Min. R Values: R⁹- 60 R^f- 90 R^g- 100

Driver and Power Consumption

Dimming: 1% dimming standard with 0.1% option
Casambi wireless control available

Ripple: Industry leading Low ripple

Efficiency: Power Factor >0.9

Efficiency over 85%

Class 2 output for safety

Installation: Remote mounted

Lumen Option	700lm	1000lm	1500lm	2000lm
Fixture Wattage	6.5W	9.3W	12.5W	20.2W
Delivered Lumen	656lm	1035lm	1347lm	1917lm

Leto Light Distribution: Reflector

