

# Installation Instructions - Kurba Dynamic White

Models KBX-X-X-DW

Please read all instructions prior to installation and keep for future reference!



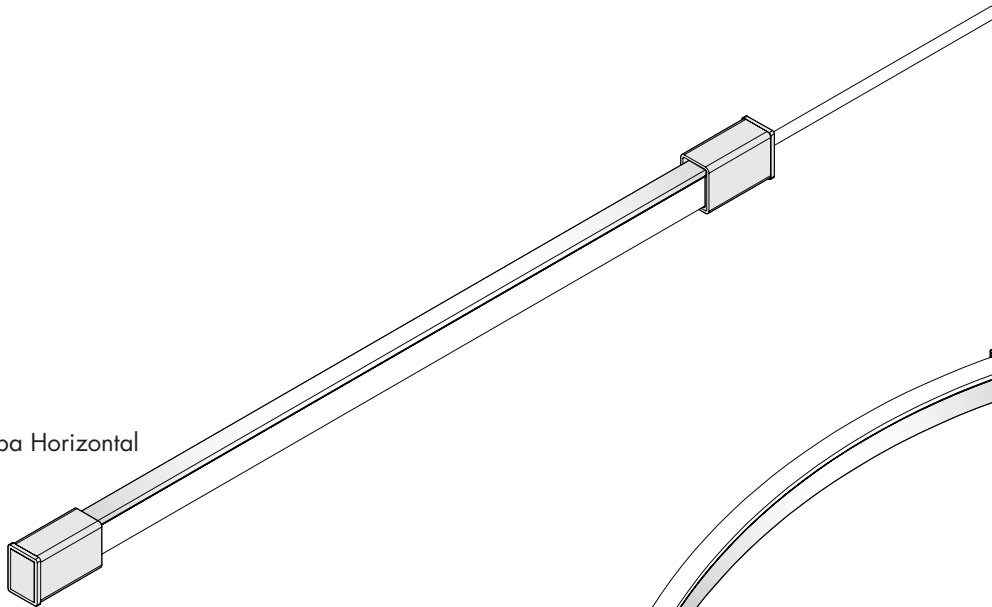
REVO.4  
07272022

1 / 7

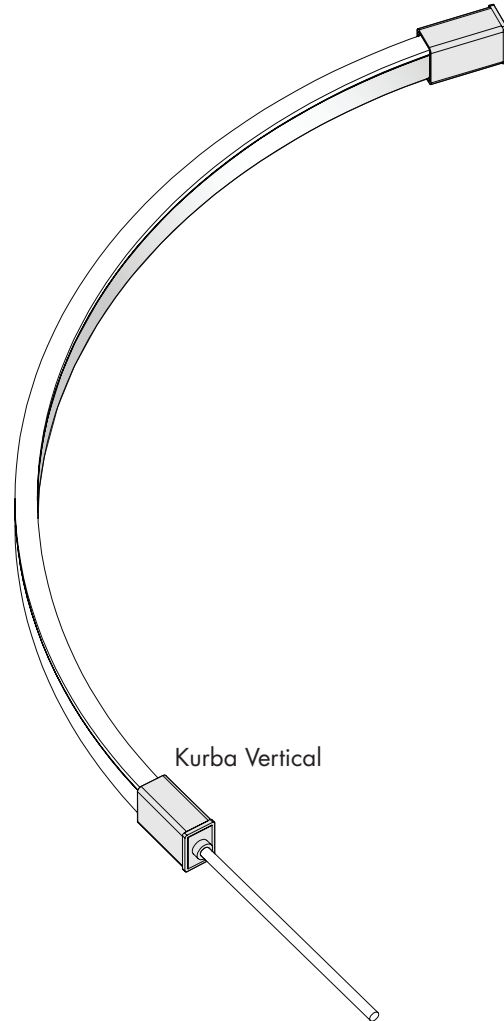


7777 Merrimac Ave  
Niles, IL 60714  
T 224.333.6033  
F 224.757.7557  
info@luminii.com  
www.luminii.com

Kurba Horizontal



Kurba Vertical



# Installation Instructions - Kurba Dynamic White

Models KBX-X-X-DW

Please read all instructions prior to installation and keep for future reference!

1. PRODUCT TO BE INSTALLED BY A QUALIFIED ELECTRICIAN.
2. USE ONLY WITH CLASS 2 POWER UNIT
3. 24 VOLTS DC
4. SUITABLE FOR WET LOCATIONS
5. SURFACE MOUNT ONLY



REVO.4  
07272022

2 / 7



7777 Merrimac Ave  
Niles, IL 60714  
T 224.333.6033  
F 224.757.7557  
info@luminii.com  
www.luminii.com

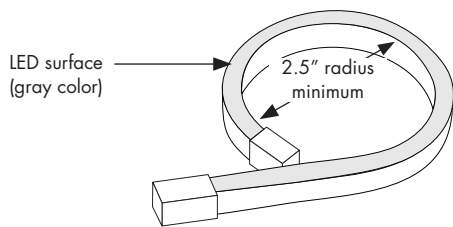
**CAUTION: Reference diagram below on Can and Can-nots, when it comes to installing the Kurba Horizontal & Vertical!**

## Kurba Horizontal (KBM-XX)

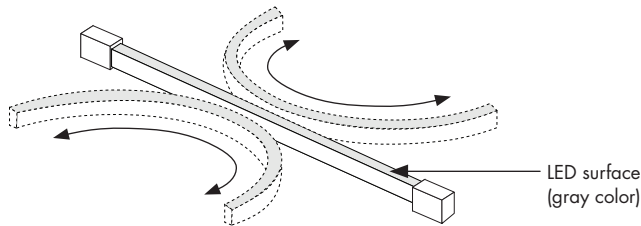
## Kurba Vertical (KBL-XX)

### CAN

Bend LED in these positions to avoid damage

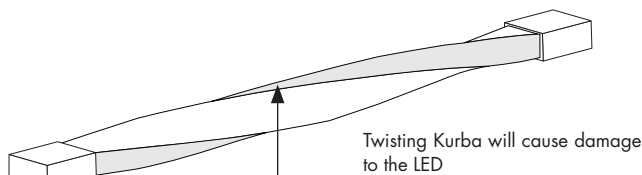


Bend in this direction only

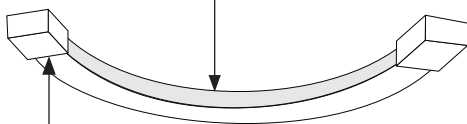


### CANNOT

Twisting or bending LED in these positions will cause damage to the LED



LED surface (gray color)

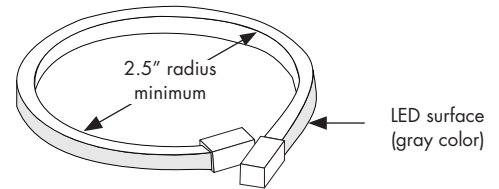


Do not make sharp bends near the endcap

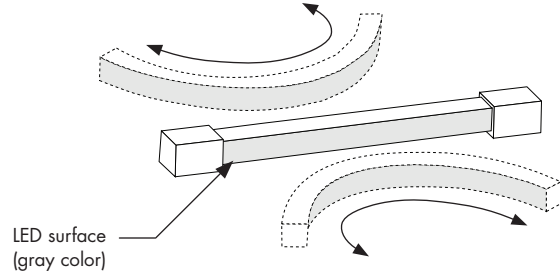
Bending in the same direction as the LED will cause damage to the LED

### CAN

Bend LED in these positions to avoid damage

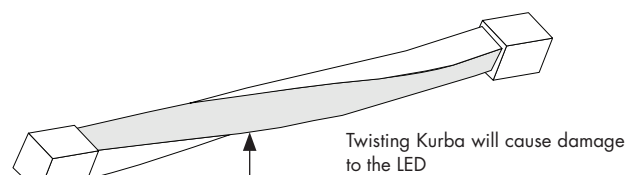


Bend in this direction only

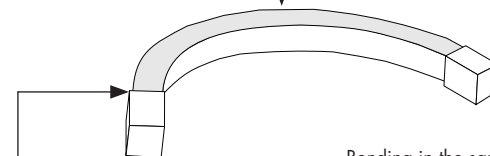


### CANNOT

Twisting or bending LED in these positions will cause damage to the LED



LED surface (gray color)



Do not make sharp bends near the endcap

Bending in the same direction as the LED will cause damage to the LED

# Installation Instructions - Kurba Dynamic White

Models KBX-XX-DW



7777 Merrimac Ave  
Niles, IL 60714  
T 224.333.6033  
F 224.757.7557  
info@luminii.com  
www.luminii.com

REVO.4  
07272022

3 / 7

Please read all instructions prior to installation and keep for future reference!

1. PRODUCT TO BE INSTALLED BY A QUALIFIED ELECTRICIAN.
2. USE ONLY WITH CLASS 2 POWER UNIT
3. 24 VOLTS DC
4. SUITABLE FOR WET LOCATIONS
5. SURFACE MOUNT ONLY

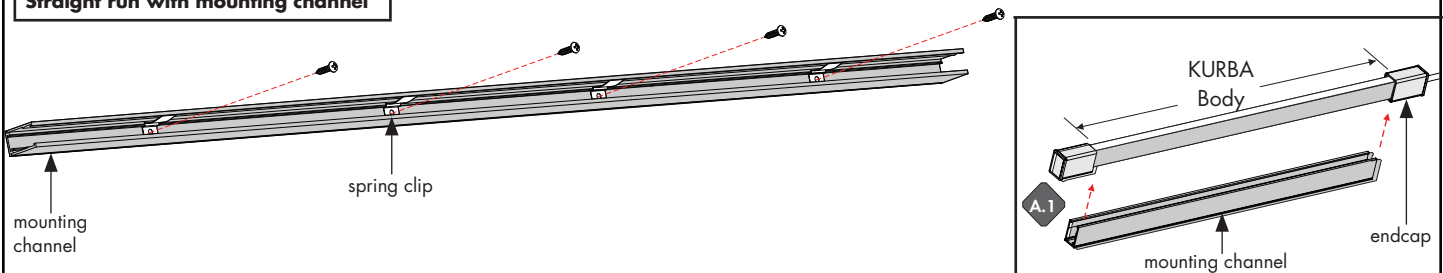
# 1

**NOTE:** Prior to installation all 24VDC wires must be present within 72" of the installation. Refer to the power supply installation instruction for additional information.

**NOTE:** More than one person is recommended for this installation.

- 1.1** Once the location or pattern is determined for Kurba to be installed, start off by marking the area. Amount of brackets may vary dependant upon pattern. Reference diagrams below.

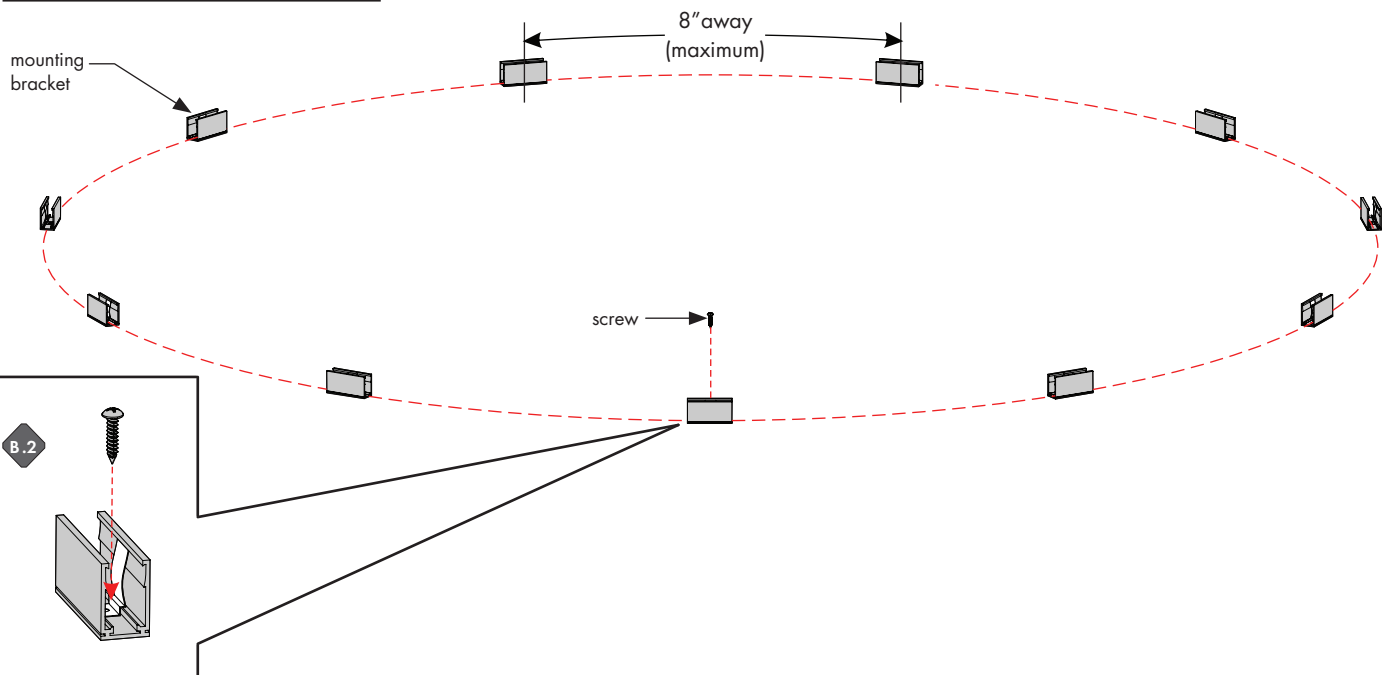
## Straight run with mounting channel



- A.1** Line up the spring clips to the mounting holes, followed by placing the mounting channel to the surface. Make sure its straight by using a level.

- A.2** Secure channel to the surface by tightening all the provided screws. If mounting to something other than wood, we recommend using the proper hardware.

## Curved run with mounting channel



- B.1** Determine the shape of the Kurba layout, then mark the pattern onto the surface. Then, place a mounting bracket every 8" (minimum). The pattern may vary dependant upon the amount of curves.

- B.2** Secure the mounting brackets to the surface by tightening the screw. If mounting to something other than wood, we recommend using the proper hardware.

# Installation Instructions - Kurba Dynamic White

Models KBX-X-X-DW

Please read all instructions prior to installation and keep for future reference!

1. PRODUCT TO BE INSTALLED BY A QUALIFIED ELECTRICIAN.
2. USE ONLY WITH CLASS 2 POWER UNIT
3. 24 VOLTS DC
4. SUITABLE FOR WET LOCATIONS
5. SURFACE MOUNT ONLY

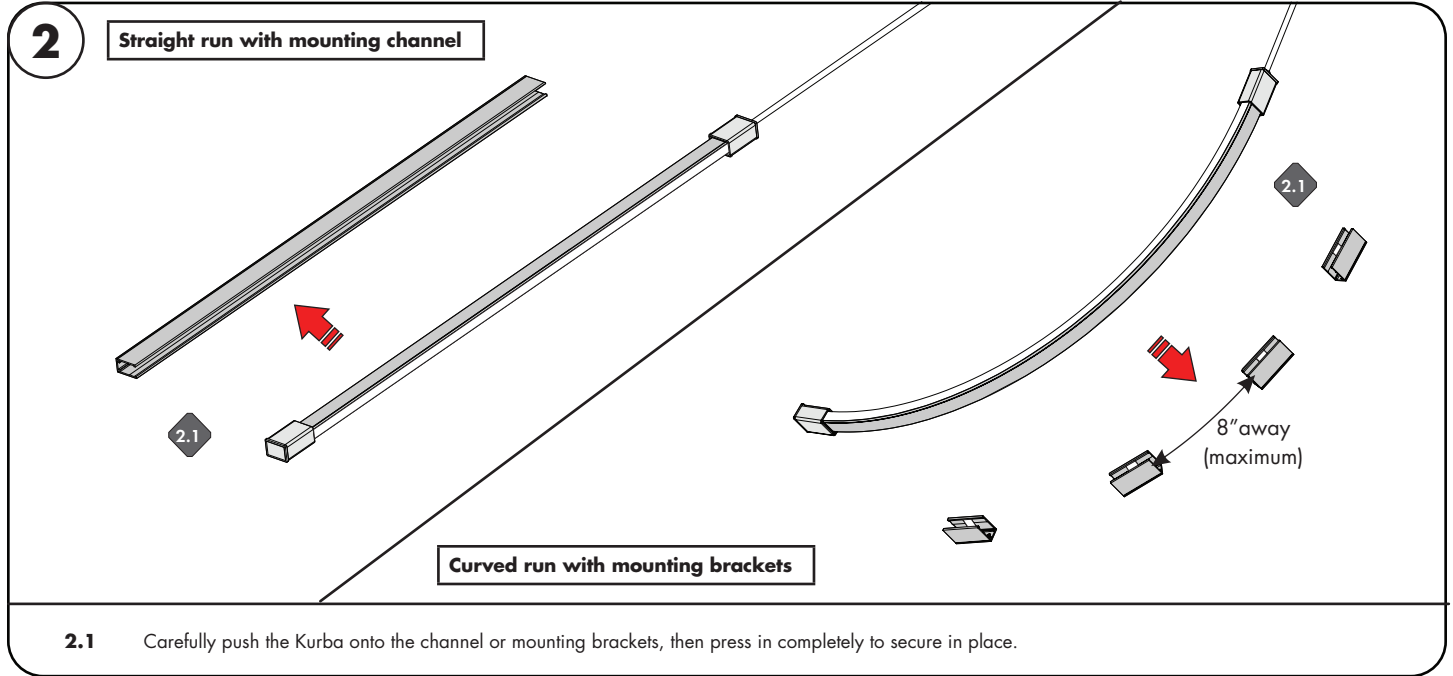


REVO.4  
07272022

4 / 7



7777 Merrimac Ave  
Niles, IL 60714  
T 224.333.6033  
F 224.757.7557  
info@luminii.com  
www.luminii.com



# Installation Instructions - Kurba Dynamic White

Models KBX-XX-DW



7777 Merrimac Ave  
Niles, IL 60714  
T 224.333.6033  
F 224.757.7557  
info@luminii.com  
www.luminii.com

REVO.4  
07272022

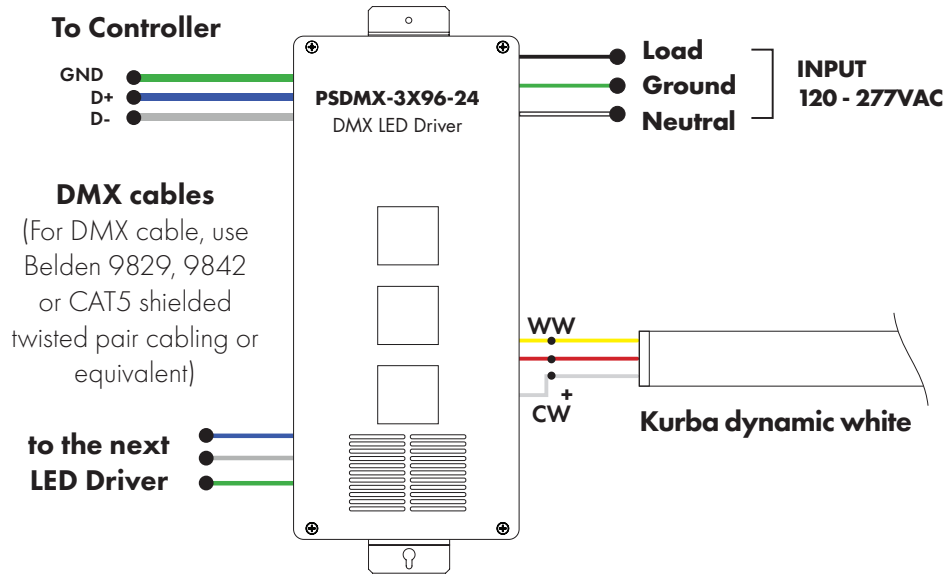
5 / 7

Please read all instructions prior to installation and keep for future reference!

1. PRODUCT TO BE INSTALLED BY A QUALIFIED ELECTRICIAN.
2. USE ONLY WITH CLASS 2 POWER UNIT
3. 24 VOLTS DC
4. SUITABLE FOR WET LOCATIONS
5. SURFACE MOUNT ONLY

## Wiring Diagrams

### Using DMX LED power supply



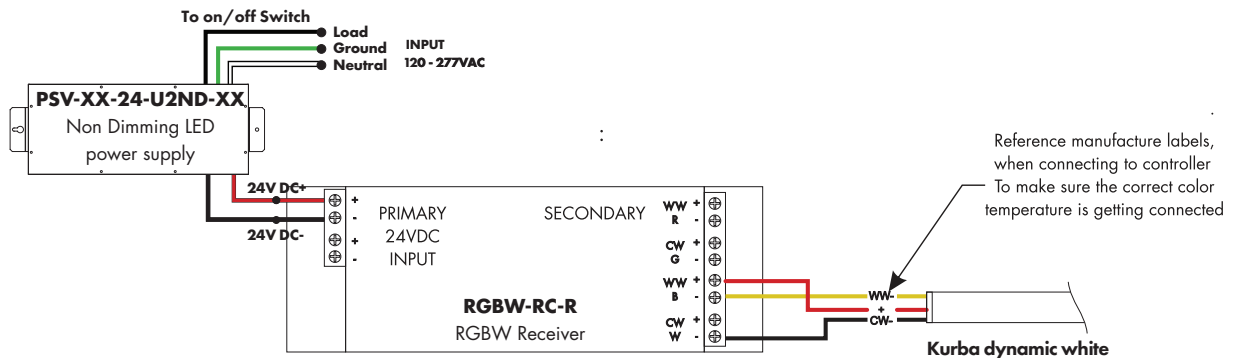
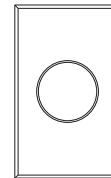
### Using non dimming LED power supply, receiver and controller

#### Operations to Controller

1. Press the learning key on the receiver, then push the rotary button. Once successfully learn, the LED lights will blink on the receiver. Do the same for the other receivers if you use them, you can add as many optional receivers as you want.
2. Short press once the rotary button to switch on/off. Adjust dim brightness by the rotary button from left to right 0.1 - 100%. Adjust dim brightness by the rotary button from right to left 0.1 - 100%. Long press rotary button, the light will be 100% brightness

Double click rotary button, it will enter into dimming color temperature mode, dim WW & CW associatively, for example if WW is 70%, CW is 30%. Double click again, will enter into dimming brightness mode.

**DDW-MC**  
Wireless Controller



# Installation Instructions - Kurba Dynamic White

Models KBX-X-X-DW

Please read all instructions prior to installation and keep for future reference!

1. PRODUCT TO BE INSTALLED BY A QUALIFIED ELECTRICIAN.
2. USE ONLY WITH CLASS 2 POWER UNIT
3. 24 VOLTS DC
4. SUITABLE FOR WET LOCATIONS
5. SURFACE MOUNT ONLY



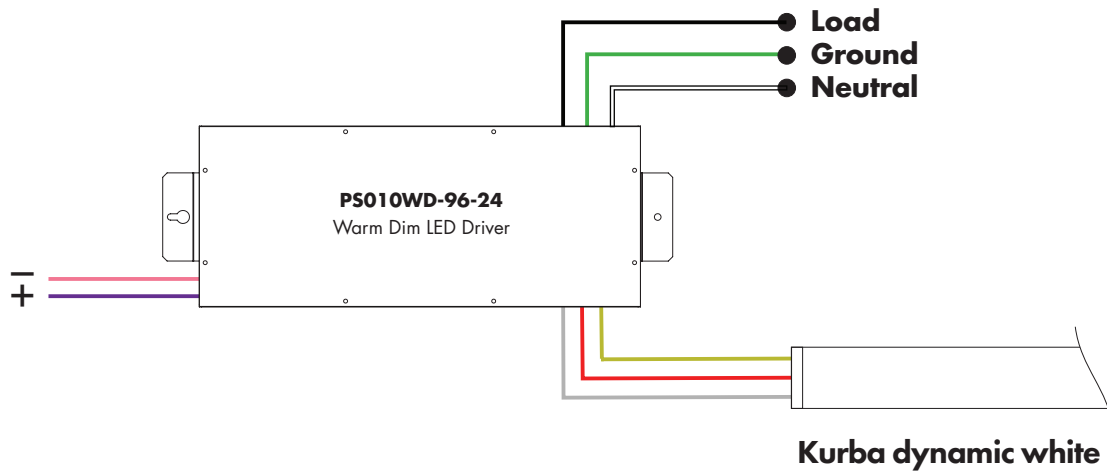
REVO.4  
07272022

6 / 7



7777 Merrimac Ave  
Niles, IL 60714  
T 224.333.6033  
F 224.757.7557  
info@luminii.com  
www.luminii.com

## Using warm dim LED power supply



## Using tunable white LED power supply

**Controller 1:**  
0-10V for intensity



**Controller 2:**  
0-10V for color temperature



**PS010TW-96-24**  
Tunable White LED Driver

**Load**  
**Ground**  
**Neutral**

**INPUT**  
**120 - 277VAC**

**Kurba dynamic white**

# Installation Instructions - Kurba Dynamic White

Models KBX-XX-DW

Please read all instructions prior to installation and keep for future reference!

1. PRODUCT TO BE INSTALLED BY A QUALIFIED ELECTRICIAN.
2. USE ONLY WITH CLASS 2 POWER UNIT
3. 24 VOLTS DC
4. SUITABLE FOR WET LOCATIONS
5. SURFACE MOUNT ONLY



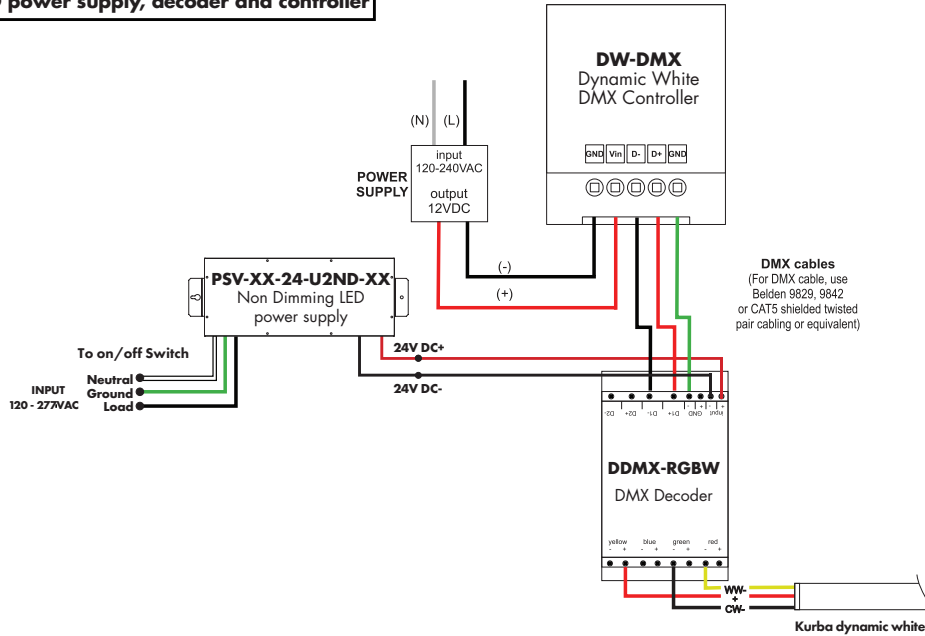
REVO.4  
07272022

7 / 7



7777 Merrimac Ave  
Niles, IL 60714  
T 224.333.6033  
F 224.757.7557  
info@luminii.com  
www.luminii.com

## Using non dimming LED power supply, decoder and controller



## Using non dimming LED power supply and decoder

