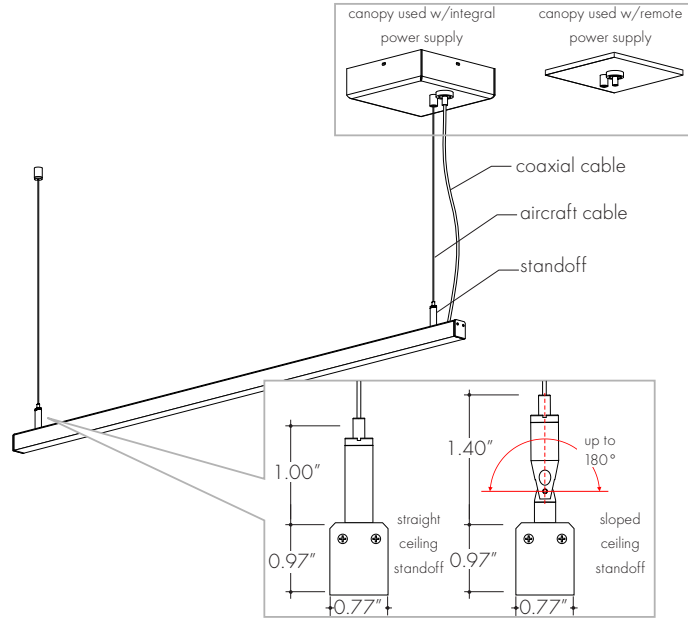
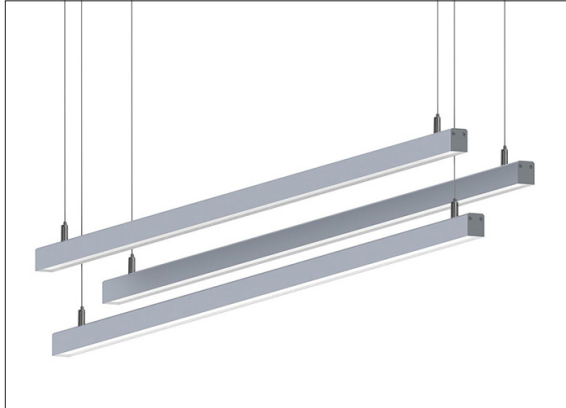


Extruded aluminum linear illumination system, Kurat is available in various lengths up to 116". Light output can be customized for a wide range of applications with multiple color temperatures and finishes. Fixture longer than 4ft have a center silver aircraft cable for additional support. Available with a remote power supply or integral power supply option. Comes with 8ft silver adjustable cable and white finish canopy.



Finish options



Black powder coated



Bronze powder coated



Silver anodized



White powder coated

Technical information

Output type	Output Options	
	HO (LL54)	VHO (LL72)
Lumens at 3000K	208 lm/ft	273 lm/ft
Average power consumption at 4'	5.2 W/ft	6.5 W/ft
Operating Voltage	24VDC	24VDC

CCT INFO/LUMEN MULTIPLIER

Color temperature	Multiplier (referenced from 3000K)	CRI
2400K	0.73	98
2700K	0.81	98
2900K	0.86	97
3000K	1.00	91
3500K	1.05	95
4100K	1.28	93

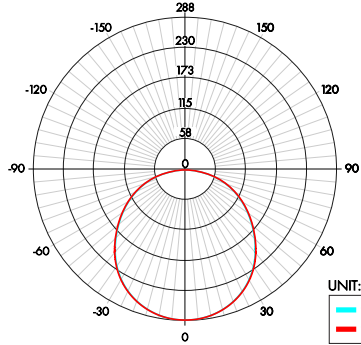
Ordering code

MODEL	LENGTH	CCT	OUTPUT	LENS	STANDOFF TYPE	FINISH	POWERFEED
KUR	24	24K	HO	F	S	SA	INT120
KUR - Kurat	24" - 116" 4" increments	24K - 2400K 27K - 2700K 29K - 2900K 30K - 3000K 35K - 3500K 41K - 4100K	HO - High output VHO - Very High output	F - Frosted	S - Straight P - Sloped	SA - Silver BK - Black BZ - Bronze WH - White <small>(BK,BZ,WH finishes will have an upcharge and require longer lead times)</small>	R - Remote power supply (select on page 3) *INT120 - ELV dimming, Integral power supply 120VAC, MAX 40W *INT277 - Lutron Hi-lume A Series LTE Integral power supply 277VAC, MAX 60W *INTECO - Lutron Hi-lume A Series L3D Integral power supply 120-277VAC Ecosystem, MAX 40W

* If using these powerfeed options, reference power consumption chart on page 2, to not overload the system.

Photometry

KUR-48-30K-HO-F-XX

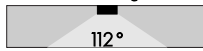


Zonal Lumen Summary 3000K

Zone	Lumen	% Fixture
0-30	225	27%
0-40	368	44%
0-60	650	78%
0-90	825	99%
0-180	834	100%

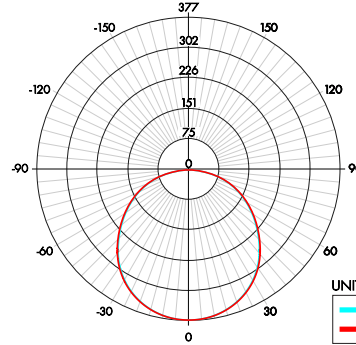
Total

Beam Angle



UNIT: CD
— C0/180
— C90/270

KUR-48-30K-VHO-F-XX

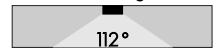


Zonal Lumen Summary 3000K

Zone	Lumen	% Fixture
0-30	294	27%
0-40	481	44%
0-60	851	78%
0-90	1079	99%
0-180	1091	100%

Total

Beam Angle



UNIT: CD
— C0/180
— C90/270

Power consumption per fixture length

Based on operation with PSD series of power supplies.



Nominal Length	Actual Length	HO		VHO		
		W/ft	Total wattage	Actual Length	W/ft	Total wattage
24"	24-15/16"	5.30	10.60	24-14/16"	6.75	13.50
28"	28-13/16"	5.28	12.33	28-13/16"	6.75	16.75
32"	32-13/16"	5.26	14.06	32-12/16"	6.75	19.00
36"	36-12/16"	5.25	15.80	36-11/16"	6.65	19.95
40"	40-11/16"	5.23	17.40	41-10/16"	6.65	22.20
44"	44-10/16"	5.21	19.00	45-9/16"	6.65	24.40
48"	48-9/16"	5.20	20.60	49-8/16"	6.55	26.20
52"	53-13/16"	5.18	22.40	53-7/16"	6.55	28.50
56"	57-12/16"	5.16	24.20	57-6/16"	6.55	30.50
60"	61-11/16"	5.15	26.00	61-5/16"	6.45	32.25
64"	65-10/16"	5.13	27.60	65-4/16"	6.45	34.40
68"	69-9/16"	5.11	29.20	69-3/16"	6.45	36.55
72"	73-8/16"	5.10	30.80	73-2/16"	6.40	38.40
76"	77-7/16"	5.08	32.40	77-1/16"	6.40	40.50
80"	81-7/16"	5.06	34.00	81 "	6.40	43.00
84"	85-6/16"	5.05	35.70	84-15/16"	6.25	43.75
88"	89-4/16"	5.03	37.10	88-14/16"	6.25	46.00
92"	93-3/16"	5.01	38.50	92-13/16"	6.25	48.00
96"	97-3/16"	5.00	40.00	97-12/16"	6.15	49.20
100"	101-2/16"	4.98	41.60	101-11/16"	6.15	51.25
104"	105-1/16"	4.96	43.20	105-9/16"	6.15	53.00
108"	109 "	4.95	44.80	109-9/16"	6.00	54.00
112"	112-15/16"	4.93	46.20	113-8/16"	6.00	56.00
116"	116-14/16"	4.91	47.60	117-7/16"	6.00	58.00

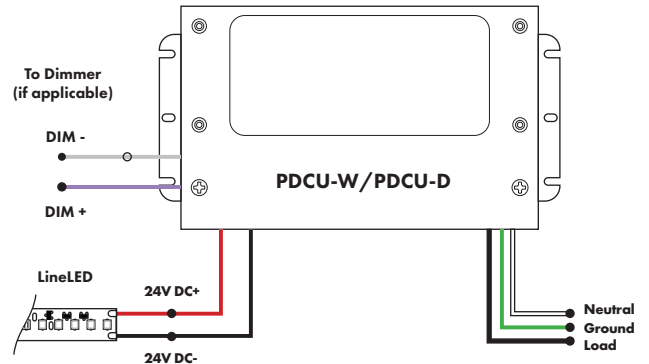
Power Supply

See fixture and power supply instructions & spec sheet for wiring information. Dimming possible in select models - view Luminii website for list of compatible dimmers.

Universal Power Supply

MODEL	POWER	OUTPUT
PDCU-W	96	24
PDCU-W - IP66 Wet Series	96 - 96 W 3X96 - 3X96 W	24 - 24 VDC
PDCU-D - IP20 Dry Series	30 - 30 W 60 - 60 W 96 - 96 W 3X96 - 3X96 W	

0-10V - 1% dimming
MLV/ELV/TRIAC - 1% dimming, consult dimming compatibility chart
Compatibility:
View a complete list of compatible dimmers on product page ([Link](#))

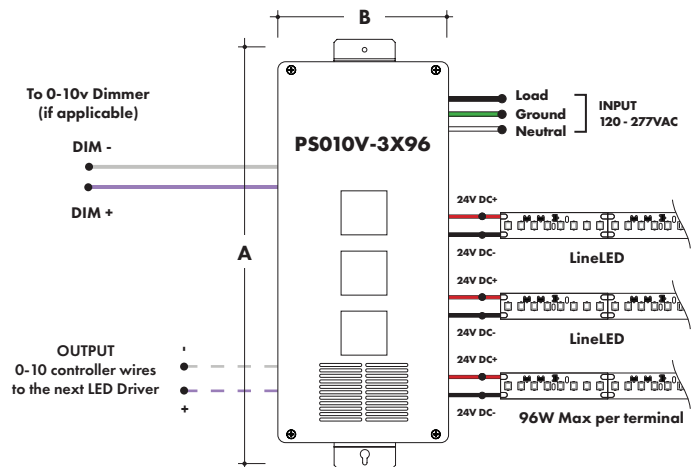
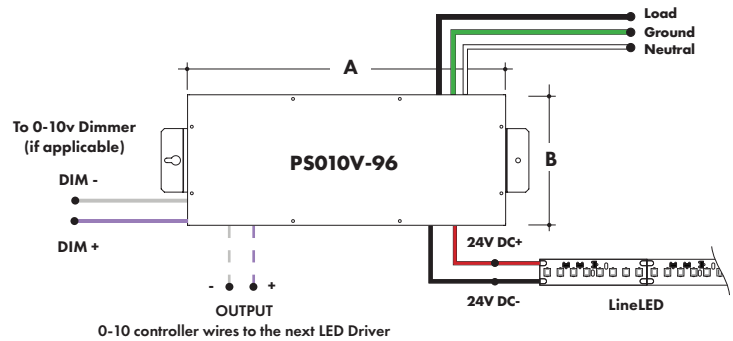


MODELS	PDCU-W 96W	PDCU-W 3X96W	PDCU-D 30W	PDCU-D 60W	PDCU-D 96W	PDCU-D 3X96W
A Length	8.66"	11.85"	6.10"	7.93"	8.25"	9.57"
B Width	3.73"	4.32"	3.35"	3.35"	4.10"	5.94"
Depth	1.61"	1.81"	1.33"	1.32"	1.56"	1.13"

0-10V Dimming Power Supplies

MODEL	POWER	OUTPUT	DIMMING
PS010V	96	24	LIN
PS010V - 0-10V Power Supply dims down to 0%	96 - 96 Watt 3X96 - 3 X 96 Watt	24 - 24 VDC	LIN - Linear LOG - Logarithmic

MODELS	96W	3X96
A Length	14.40"	15.75"
B Width	5.20"	6.62"
Depth	2.60"	4.95"



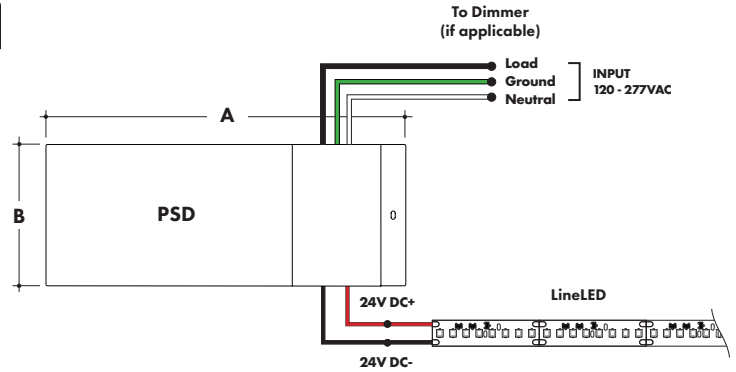
Power Supply

See fixture and power supply instructions & spec sheet for wiring information. Dimming possible in select models - view Luminii website for list of compatible dimmers.

Magnetic Low Voltage Dimming Power Supplies

MODEL	POWER	OUTPUT	INPUT
PSD	48	24	
PSD - PSD Series dims down to 0%	48 - 48 Watt 96 - 96 Watt 288 - 288 Watt (3 x 96Watt)	24 - 24 VDC	Blank - 120 V 240 - 240 V 277 - 277 V

MODELS	48W	96W	288W
A Length	11.25"	11.25"	13.06"
B Width	3.42"	3.42"	8.42"
Depth	3.42"	3.27"	4.47"

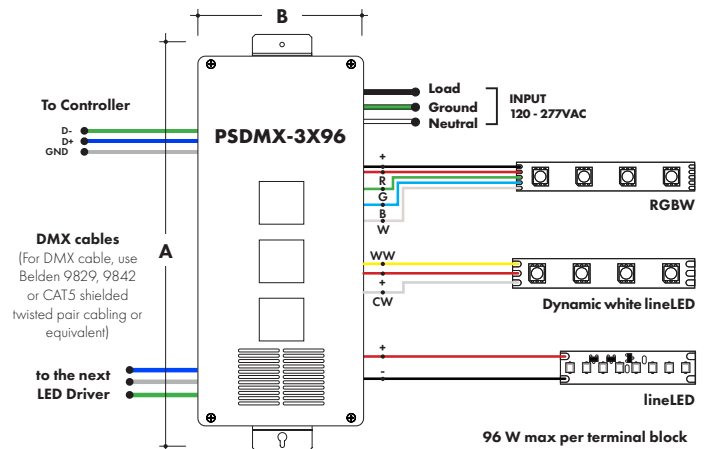
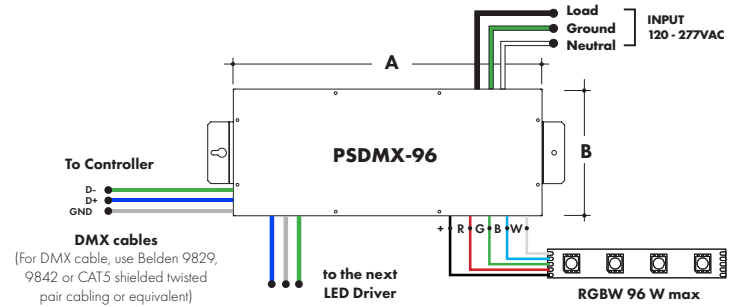


DMX Dimming Power Supplies

MODEL	POWER	OUTPUT
PSDMX	96	24
PSDMX - DMX Power Supply	96 - 96 Watt 3X96 - 3 X 96 Watt	24 - 24 VDC

Features eldoLED's LINEARdrive configurable dimmable drivers

MODELS	96W	3X96
A Length	14.40"	15.75"
B Width	5.20"	6.62"
Depth	2.60"	4.95"



Power Supply

See fixture and power supply instructions & spec sheet for wiring information. Dimming possible in select models - view Luminii website for list of compatible dimmers.

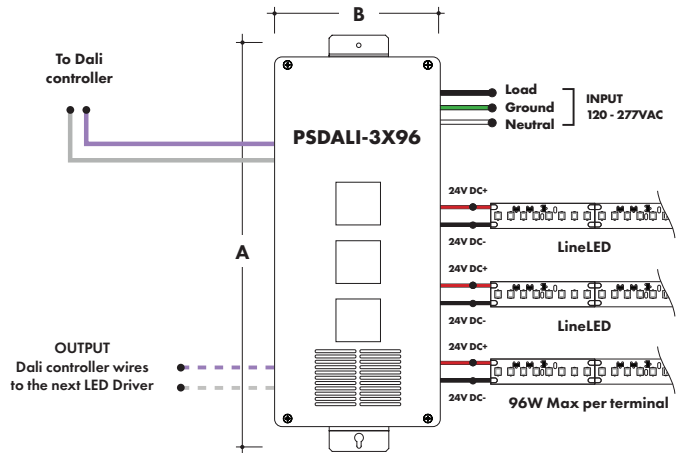
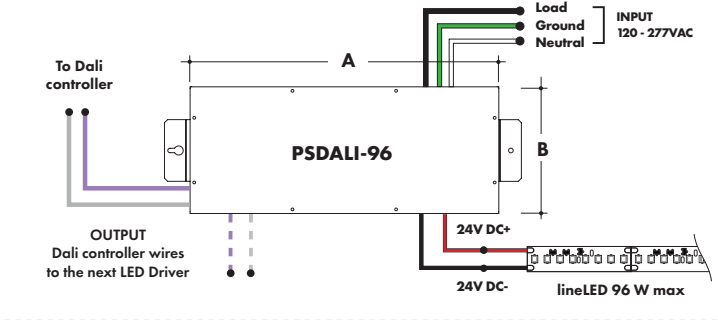
DALI Dimming Power Supplies

MODEL	POWER	OUTPUT
PSDALI	96	24

PSDALI - DALI Power Supply
dims down to 0%
96 - 96 Watt
3X96 - 3 X 96 Watt
24 - 24 VDC

Features eldoLED's LINEARdrive configurable dimmable drivers

MODELS	96W	3X96
A Length	14.40"	15.75"
B Width	5.20"	6.62"
Depth	2.60"	4.95"

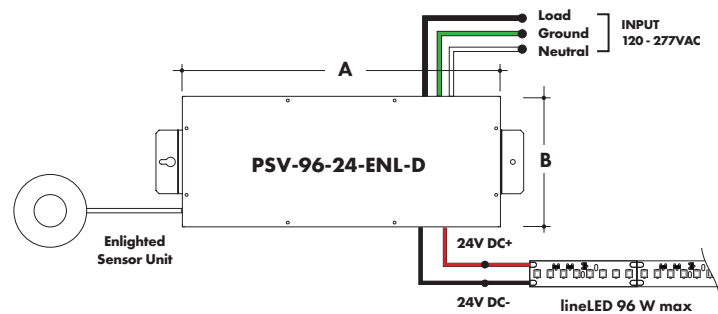


Enlighted Enabled Dimming Power Supplies:

MODEL	POWER	OUTPUT	DIMMING	LOCATION
PSV	96	24	ENL	D

PSV - PSV Series 96 - 96 Watt 24 - 24 VDC ENL - Enlighted Dimming D - Damp

MODELS	96W
A Length	14.40"
B Width	5.20"
Depth	2.60"

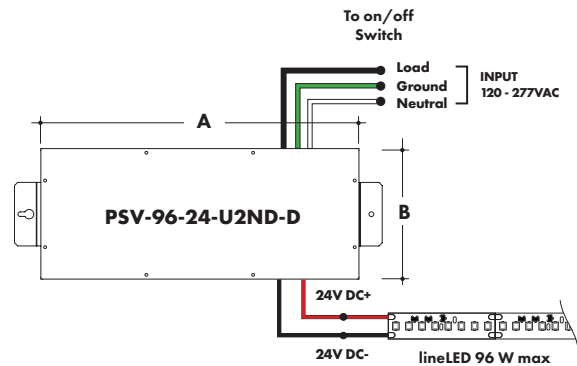


Non-Dimming Power Supply

MODEL	POWER	OUTPUT	DIMMING	LOCATION
PSV	96	24	U2ND	D

PSV - PSV Series 96 - 96 Watt 24 - 24 VDC U2ND - Non Dimming D - Damp

MODELS	96W
A Length	14.40"
B Width	5.20"
Depth	2.60"



Power Supply

See fixture and power supply instructions & spec sheet for wiring information. Dimming possible in select models - view Luminii website for list of compatible dimmers.



Luminii is a Lutron OEM Advantage Partner

MODEL

LTEA4U1UKL-CV240

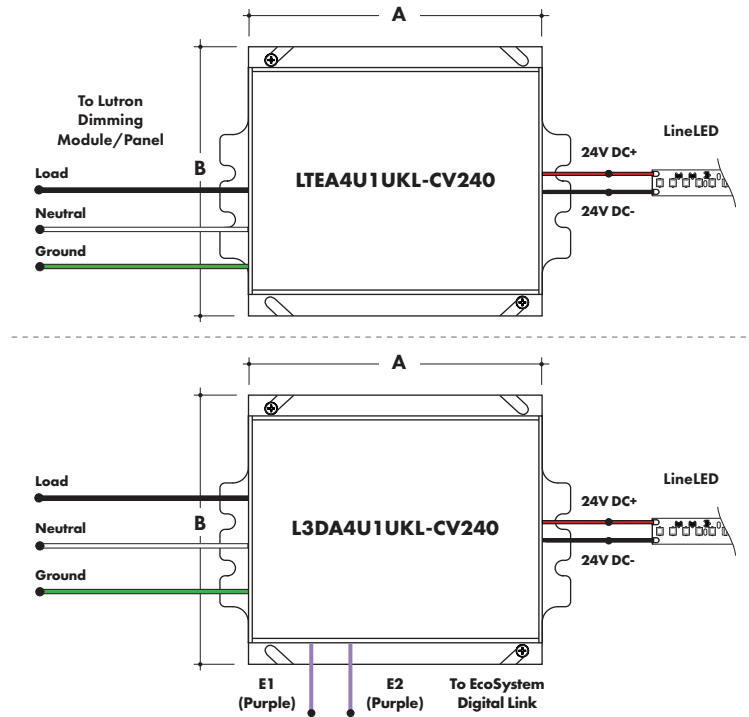
Lutron - HiLume™ 1% 2-wire LED Driver
(120V forward phase only)

MODEL

L3DA4U1UKL-CV240

HiLume™ 1% EcoSystem Voltage LED driver

MODELS	LTEA4U1UKL-CV240	L3DA4U1UKL-CV240
A Length	4.89"	4.98"
B Width	4.00"	4.00"
Depth	2.62"	2.62"



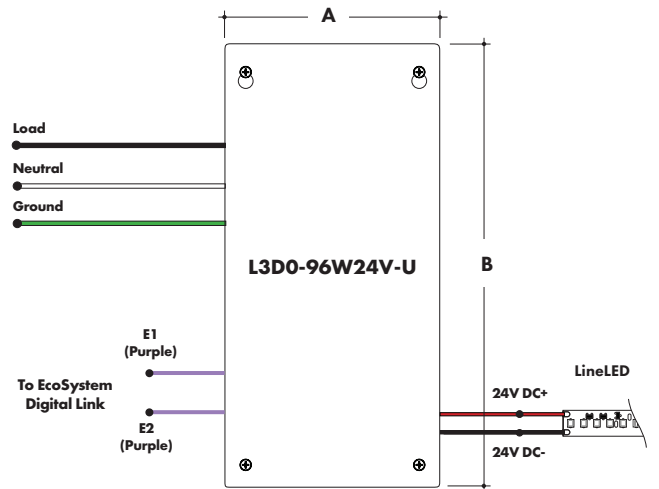
Luminii is a Lutron OEM Advantage Partner

MODEL

L3D0-96W24V-U

HiLume™ 0.1% EcoSystem Voltage LED Driver with Soft-On, Fade-to-Black™

MODELS	L3D0
A Length	10.50"
B Width	5.50"
Depth	2.00"



Power Supply

See fixture and power supply instructions & spec sheet for wiring information. Dimming possible in select models - view Luminii website for list of compatible dimmers.

In ground, Electronic Low Voltage Dimming Power Supplies

MODEL	POWER	OUTPUT	INPUT
IG - CVE	96X2	24	Blank - 120 V 277 - 240/277 V
IG - In ground CVE Series	96X2 - 2 X 96 Watt	24 - 24 VDC	
CVE - ELV Dimming DALI - eldoLED Dali dimming Both dims down to 0.1%			

MODELS	Dual Circuit
A Length	8.40"
B Width	8.30"
Depth	8.10"

