

Features

- 24VDC Class 2 fixtures made to order up to 116".
- Class 2 listed for damp locations
- Dot free even illumination
- Available with a remote power supply or an integral power supply option mounted in the canopy.
- LL72 options offer premium quality and vibrant colors with R9 values up to 98
- HE option offers highest output and efficacy, with over 490 lm/ft and 65 lm/W.
- Proprietary strong bond solder method handles up to 50 lbs of pull force on wire leads and connectors
- 5 Year warranty

Finish Options

- Silver anodized
- Bronze powder coated
- Black powder coated
- White powder coated



Technical Information

MODEL	LL72 High Color Quality			HE48 High Efficacy				HE64 High Efficacy
	SO	HO	VHO	LO	SO	MO	HO	SO
Lumens Output (3000K)	135 lm/ft	219 lm/ft	266 lm/ft	131 lm/ft	182 lm/ft	243 lm/ft	389 lm/ft	492 lm/ft
Average Power Consumption (for a 4' section)	2.8 W/ft	4.8 W/ft	6 W/ft	1.9 W/ft	2.8 W/ft	3.5 W/ft	6.5 W/ft	7.5 W/ft
Efficacy	48 lm/W	46 lm/W	44 lm/W	69 lm/W	65 lm/W	69 lm/W	60 lm/W	66 lm/W
Max Run Length (in series)	40 ft	31 ft	22 ft	48 ft	42 ft	33 ft	21 ft	15 ft

LL72

CCT	Multiplier (reference - 3000K)	TM-30			
		CRI	R _f	R _g	R ₉
1900K	0.55	96	94	97	90
2200K	0.70	96	95	101	89
2400K	0.72	98	97	101	91
2700K	0.74	97	96	101	91
3000K	1.00	97	95	104	97
3500K	1.02	97	94	105	97
4100K	1.07	97	90	99	97

HE48/HE64

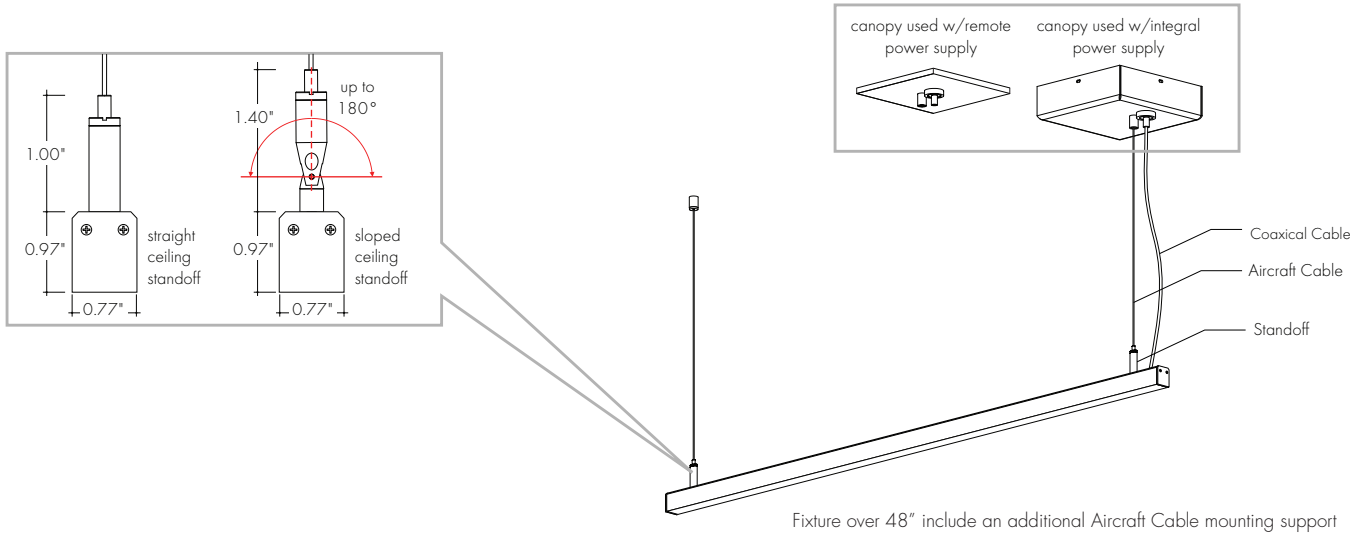
CCT	Multiplier (reference - 3000K)	TM-30			
		CRI	R _f	R _g	R ₉
2700K	0.94	92	90	99	58
3000K	1.00	92	89	99	57
3500K	1.02	92	89	99	60
4000K	1.02	92	86	94	71

Ordering Code

MODEL	LENGTH ¹	OUTPUT	CCT	LENS ²	STANDOFF TYPE	FINISH ³	POWER FEED
KUR - Kurat Suspended	24"-116" 1" increments	LL72SO - Standard LL72HO - High LL72VHO - Very High	19K - 1900K 22K - 2200K 24K - 2400K 27K - 2700K 30K - 3000K 35K - 3500K 41K - 4100K	F - Frosted P - Sloped	S - Straight P - Sloped	SA - Silver BK - Black BZ - Bronze WH - White	R - Remote INT120 - EIV dimming, Integral power supply 120VAC, 40W Max INT277 - Lutron HiLume A Series IIE Integral power supply 277VAC, 60W Max INTECO - Lutron HiLume A Series I3D Integral power supply 120-277VAC Ecosystem, MAX 40
	24"-116" 2" increments	HE48LO - Low HE48SO - Standard HE48MO - Medium HE48HO - High HE64SO - Standard	27K - 2700K 30K - 3000K 35K - 3500K 40K - 4000K				

1 - Custom lengths and increments are available, please contact factory with specific request.
 2 - All HE48 and HE64 options can be used to comply with Title 24 JAB. LL72 options can be used to comply with Title 24 JAB depending on output, CCT, and lens selections. See multiplier charts to calculate specific efficacy.
 3 - BK, BZ, and WH finishes may have extended lead times. Custom RALs are available, please contact factory with specific request.


Product Dimensions



Lens Option / Light Transmission

LED Dotting Per Output/Lens

Output Type	Lens Type
	Frosted
LL72SO	ND
LL72HO	ND
LL72VHO	ND
HE48LO	ND
HE48SO	ND
HE48MO	ND
HE48SO	ND
HE64SO	ND



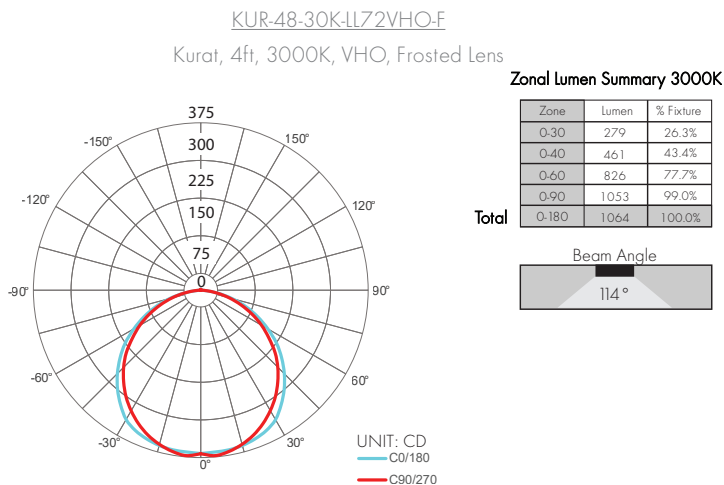
CD SD ND

CD - Clear Dotting

SD - Slight Dotting

ND - No Dotting

Product Dimensions



Power Consumption

Tested at full power with PSD Series power supplies

Standard Nominal Lengths offered provide minimal shadowing. For alternate lengths, please contact factory with specific request.

LL72

Nominal Length (in)	Actual Length	Watts			Nominal Length (in)	Actual Length	Watts			Nominal Length (in)	Actual Length	Watts			Nominal Length (in)	Actual Length	Watts		
		SO	HO	VHO			SO	HO	VHO			SO	HO	VHO			SO	HO	VHO
12	11 5/16	2.7	4.4	6.2	47	46 1/16	10.2	17.1	22.6	82	81 15/16	18.3	29.5	38.4	117	-	-	-	
13	12 7/16	2.7	4.4	6.2	48	47 3/16	10.5	17.4	23.1	83	-	-	-	-	118	-	-	-	
14	13 10/16	2.9	4.8	6.7	49	48 6/16	10.7	17.8	23.5	84	83 1/16	18.5	29.8	38.8	119	-	-	-	
15	14 12/16	3.1	5.2	7.3	50	49 8/16	11.1	18.6	24.4	85	84 4/16	18.7	30.1	39.2	120	-	-	-	
16	15 15/16	3.4	5.6	7.8	51	50 11/16	11.4	18.9	24.9	86	85 6/16	19.2	30.8	40.0	121	-	-	-	
17	-	-	-	-	52	51 13/16	11.6	19.3	25.3	87	86 9/16	19.4	31.1	40.4	122	-	-	-	
18	17 1/16	3.6	6.0	8.3	53	53	11.9	19.7	25.7	88	87 12/16	19.6	31.5	40.8	123	-	-	-	
19	18 4/16	3.9	6.5	8.9	54	-	-	-	-	89	88 14/16	19.9	31.8	41.1	124	-	-	-	
20	19 6/16	4.4	7.3	9.9	55	54 2/16	12.1	20.1	26.1	90	-	-	-	-	125	-	-	-	
21	20 9/16	4.6	7.7	10.5	56	55 5/16	12.3	20.5	26.6	91	90 1/16	20.1	32.2	41.5	126	-	-	-	
22	21 12/16	4.8	8.1	11.0	57	56 7/16	12.8	21.3	27.4	92	91 3/16	20.4	32.5	41.9	127	-	-	-	
23	22 14/16	5.1	8.6	11.5	58	57 10/16	13.1	21.6	27.8	93	92 6/16	20.6	32.9	42.3	128	-	-	-	
24	-	-	-	-	59	58 12/16	13.3	22.0	28.3	94	93 8/16	21.1	33.6	43.1	129	-	-	-	
25	24 1/16	5.3	9.0	12.1	60	59 15/16	13.6	22.4	28.7	95	94 11/16	21.3	33.9	43.4	130	-	-	-	
26	25 3/16	5.6	9.4	12.6	61	-	-	-	-	96	95 13/16	21.5	34.2	43.8	131	-	-	-	
27	26 6/16	5.8	9.8	13.1	62	61 1/16	13.8	22.8	29.1	97	97	21.8	34.6	44.2	132	-	-	-	
28	27 8/16	6.2	10.5	14.1	63	62 4/16	14.0	23.1	29.6	98	-	-	-	-	133	-	-	-	
29	28 11/16	6.5	10.9	14.5	64	63 6/16	14.5	23.8	30.5	99	98 2/16	22.0	34.9	44.6	134	-	-	-	
30	29 13/16	6.7	11.2	15.0	65	64 9/16	14.7	24.1	31.0	100	99 5/16	22.2	35.2	45.0	135	-	-	-	
31	31	6.9	11.6	15.5	66	65 12/16	14.9	24.4	31.4	101	100 7/16	22.5	35.9	45.9	136	-	-	-	
32	-	-	-	-	67	66 14/16	15.1	24.7	31.9	102	101 10/16	22.7	36.2	46.3	137	-	-	-	
33	32 2/16	7.1	12.0	16.0	68	-	-	-	-	103	102 12/16	22.9	36.5	46.7	138	-	-	-	
34	33 5/16	7.3	12.3	16.5	69	68 1/16	15.3	25.0	32.4	104	103 15/16	23.1	36.8	47.1	139	-	-	-	
35	34 7/16	7.8	13.1	17.4	70	69 3/16	15.5	25.4	32.8	105	-	-	-	-	140	-	-	-	
36	35 10/16	8.0	13.4	17.9	71	70 6/16	15.8	25.7	33.3	106	105 1/16	23.3	37.1	47.5	141	-	-	-	
37	36 12/16	8.2	13.8	18.4	72	71 8/16	16.2	26.3	34.2	107	106 4/16	23.5	37.4	48.0	142	-	-	-	
38	37 15/16	8.4	14.2	18.9	73	72 11/16	16.4	26.6	34.7	108	107 7/16	23.9	38.1	48.8	143	-	-	-	
39	-	-	-	-	74	73 13/16	16.6	26.9	35.1	109	108 9/16	24.1	38.4	49.2	144	-	-	-	
40	39 1/16	8.7	14.5	19.3	75	75	16.8	27.3	35.5	110	109 12/16	24.3	38.7	49.6					
41	40 4/16	8.9	14.9	19.8	76	-	-	-	-	111	110 14/16	24.5	39.0	50.0					
42	41 6/16	9.3	15.6	20.7	77	76 2/16	17.1	27.6	35.9	112	-	-	-	-					
43	42 9/16	9.6	16.0	21.2	78	77 5/16	17.3	27.9	36.3	113	112 1/16	24.8	39.3	50.4					
44	43 12/16	9.8	16.4	21.7	79	78 7/16	17.7	28.5	37.2	114	113 3/16	25.0	39.6	50.8					
45	44 14/16	10.0	16.7	22.1	80	79 10/16	17.9	28.9	37.6	115	114 6/16	25.2	39.9	51.2					
46	-	-	-	-	81	80 12/16	18.1	29.2	38.0	116	115 8/16	25.6	40.5	52.0					

Power Consumption

Tested at full power with PSD Series power supplies

Standard Nominal Lengths offered provide minimal shadowing. For alternate lengths, please contact factory with specific request.

HE48

Nominal Length (in)	Actual Length	Watts				Nominal Length (in)	Actual Length	Watts				Nominal Length (in)	Actual Length	Watts				Nominal Length (in)	Actual Length	Watts			
		SO	HO	MO	VHO			SO	HO	MO	VHO			SO	HO	MO	VHO			SO	HO	MO	VHO
12	10 11/16	1.7	2.5	3.5	5.7	47	46 2/16	6.9	10.7	13.3	24.7	82	81 9/16	12.5	19.9	23.9	42.2	117	-	-	-	-	
13	12 11/16	1.7	2.5	3.5	5.7	48	-	-	-	-	-	83	-	-	-	-	-	118	-	-	-	-	
14	-	-	-	-	-	49	48 2/16	7.1	11.2	13.9	25.4	84	83 9/16	12.8	20.3	24.5	43.1	119	-	-	-	-	
15	14 10/16	2.0	3.0	4.0	7.2	50	-	-	-	-	-	85	-	-	-	-	-	120	-	-	-	-	
16	-	-	-	-	-	51	50 1/16	7.4	11.7	14.5	26.3	86	85 8/16	13.1	20.8	25.1	44.1	121	-	-	-	-	
17	16 10/16	2.4	3.5	4.6	8.7	52	-	-	-	-	-	87	-	-	-	-	-	122	-	-	-	-	
18	-	-	-	-	-	53	52 1/16	7.7	12.3	15.1	27.4	88	87 8/16	13.4	21.3	25.7	45.0	123	-	-	-	-	
19	18 9/16	2.7	3.9	5.2	10.2	54	-	-	-	-	-	89	-	-	-	-	-	124	-	-	-	-	
20	-	-	-	-	-	55	54	8.0	12.9	15.7	28.5	90	89 7/16	13.7	21.7	26.3	46.0	125	-	-	-	-	
21	20 9/16	3.0	4.4	5.8	11.7	56	56	8.4	13.5	16.4	29.5	91	-	-	-	-	-	126	-	-	-	-	
22	-	-	-	-	-	57	-	-	-	-	-	92	91 7/16	14.0	22.1	26.9	47.0	127	-	-	-	-	
23	22 8/16	3.4	4.9	6.4	13.2	58	57 15/16	8.7	14.0	17.0	30.6	93	-	-	-	-	-	128	-	-	-	-	
24	-	-	-	-	-	59	-	-	-	-	-	94	93 6/16	14.3	22.6	27.5	47.9	129	-	-	-	-	
25	24 8/16	3.7	5.4	7.0	14.7	60	59 15/16	9.0	14.6	17.6	31.6	95	-	-	-	-	-	130	-	-	-	-	
26	-	-	-	-	-	61	-	-	-	-	-	96	95 6/16	14.4	22.8	27.8	48.4	131	-	-	-	-	
27	26 7/16	4.1	5.9	7.5	15.8	62	61 14/16	9.4	15.2	18.2	32.6	97	-	-	-	-	-	132	-	-	-	-	
28	-	-	-	-	-	63	-	-	-	-	-	98	97 5/16	14.7	23.3	28.5	49.4	133	-	-	-	-	
29	28 7/16	4.4	6.4	8.1	16.8	64	63 14/16	9.7	15.6	18.7	33.7	99	-	-	-	-	-	134	-	-	-	-	
30	-	-	-	-	-	65	-	-	-	-	-	100	99 5/16	15.0	23.7	29.0	50.4	135	-	-	-	-	
31	30 6/16	4.8	6.9	8.7	17.9	66	65 13/16	10.0	16.1	19.2	34.7	101	-	-	-	-	-	136	-	-	-	-	
32	-	-	-	-	-	67	-	-	-	-	-	102	101 4/16	15.3	24.1	29.6	51.3	137	-	-	-	-	
33	32 6/16	5.0	7.2	9.0	18.5	68	67 13/16	10.4	16.5	19.8	35.7	103	-	-	-	-	-	138	-	-	-	-	
34	-	-	-	-	-	69	-	-	-	-	-	104	103 4/16	15.6	24.6	30.2	52.3	139	-	-	-	-	
35	34 5/16	5.4	7.7	9.6	19.5	70	69 12/16	10.7	17.0	20.3	36.7	105	-	-	-	-	-	140	-	-	-	-	
36	-	-	-	-	-	71	-	-	-	-	-	106	105 3/16	15.8	25.0	30.7	53.2	141	-	-	-	-	
37	36 5/16	5.7	8.2	10.2	20.6	72	71 12/16	11.0	17.4	20.8	37.7	107	-	-	-	-	-	142	-	-	-	-	
38	-	-	-	-	-	73	-	-	-	-	-	108	107 3/16	16.1	25.5	31.3	54.2	143	-	-	-	-	
39	38 4/16	6.0	8.7	10.8	21.5	74	73 11/16	11.3	17.9	21.4	38.7	109	-	-	-	-	-	144	-	-	-	-	
40	-	-	-	-	-	75	-	-	-	-	-	110	109 2/16	16.4	25.9	31.9	55.2						
41	40 4/16	6.2	9.2	11.4	22.3	76	75 11/16	11.6	18.4	22.0	39.6	111	-	-	-	-	-						
42	-	-	-	-	-	77	-	-	-	-	-	112	111 2/16	16.7	26.4	32.5	56.1						
43	42 3/16	6.4	9.7	12.0	23.1	78	77 10/16	11.9	18.9	22.7	40.5	113	-	-	-	-	-						
44	-	-	-	-	-	79	-	-	-	-	-	114	113 1/16	17.0	26.8	33.1	57.0						
45	44 3/16	6.7	10.2	12.6	23.9	80	79 10/16	12.2	19.4	23.3	41.4	115	-	-	-	-	-						
46	-	-	-	-	-	81	-	-	-	-	-	116	115 1/16	17.3	27.3	33.7	57.9						

Power Consumption

Tested at full power with PSD Series power supplies

Standard Nominal Lengths offered provide minimal shadowing. For alternate lengths, please contact factory with specific request.

HE64

Nominal Length (in)	Actual Length	Watts		Nominal Length (in)	Actual Length	Watts		Nominal Length (in)	Actual Length	Watts		Nominal Length (in)	Actual Length	Watts	
		SO	HO			SO	HO			SO	HO			SO	HO
12	11 8/16	7.6	9.7	47	46 5/16	28.2	35.9	82	81 2/16	50.4	62.6	117	-	-	-
13	13	7.6	9.7	48	47 13/16	29.5	37.6	83	82 10/16	51.7	63.4	118	-	-	-
14	-	-	-	49	-	-	-	84	-	-	-	119	-	-	-
15	14 8/16	8.9	11.3	50	49 5/16	30.1	38.4	85	84 3/16	52.3	63.8	120	-	-	-
16	-	-	-	51	50 14/16	31.4	40.2	86	85 11/16	53.6	64.7	121	-	-	-
17	16	9.5	12.1	52	-	-	-	87	-	-	-	122	-	-	-
18	17 9/16	10.7	13.6	53	52 6/16	32.0	41.1	88	87 3/16	54.2	65.3	123	-	-	-
19	-	-	-	54	53 14/16	33.3	42.9	89	88 11/16	55.5	66.3	124	-	-	-
20	19 1/16	11.4	14.4	55	-	-	-	90	-	-	-	125	-	-	-
21	20 9/16	12.6	16.0	56	55 6/16	34.0	43.8	91	90 3/16	56.2	66.8	126	-	-	-
22	-	-	-	57	56 14/16	35.2	45.5	92	91 12/16	57.5	67.9	127	-	-	-
23	22 1/16	13.2	16.8	58	-	-	-	93	-	-	-	128	-	-	-
24	23 9/16	14.5	18.3	59	58 7/16	36.5	47.3	94	93 4/16	58.2	68.4	129	-	-	-
25	-	-	-	60	59 15/16	37.2	48.2	95	94 12/16	59.5	69.5	130	-	-	-
26	25 2/16	15.1	19.1	61	-	-	-	96	-	-	-	131	-	-	-
27	26 10/16	16.4	20.7	62	61 7/16	38.4	50.0	97	96 4/16	60.1	70.0	132	-	-	-
28	-	-	-	63	62 15/16	39.1	50.8	98	97 13/16	61.4	71.1	133	-	-	-
29	28 2/16	17.0	21.4	64	-	-	-	99	-	-	-	134	-	-	-
30	29 10/16	18.2	23.0	65	64 8/16	40.4	52.5	100	99 5/16	62.0	71.7	135	-	-	-
31	-	-	-	66	66	41.0	53.4	101	100 13/16	63.2	72.9	136	-	-	-
32	31 3/16	18.9	23.8	67	-	-	-	102	-	-	-	137	-	-	-
33	32 11/16	20.1	25.3	68	67 8/16	42.3	55.1	103	102 5/16	63.8	73.5	138	-	-	-
34	-	-	-	69	-	-	-	104	103 14/16	65.0	74.7	139	-	-	-
35	34 3/16	20.7	26.1	70	69	42.9	55.9	105	-	-	-	140	-	-	-
36	35 11/16	22.0	27.6	71	70 8/16	44.2	57.6	106	105 6/16	65.6	75.3	141	-	-	-
37	-	-	-	72	-	-	-	107	106 14/16	66.8	76.5	142	-	-	-
38	37 3/16	22.6	28.4	73	72 1/16	44.9	58.5	108	-	-	-	143	-	-	-
39	38 12/16	23.9	30.1	74	73 9/16	46.1	59.7	109	108 6/16	67.4	77.1	144	-	-	-
40	-	-	-	75	-	-	-	110	109 14/16	68.5	78.0				
41	40 4/16	24.5	30.9	76	75 1/16	46.7	60.1	111	-	-	-				
42	41 12/16	25.7	32.6	77	76 9/16	48.0	60.9	112	111 7/16	69.6	78.7				
43	-	-	-	78	-	-	-	113	112 15/16	70.1	79.0				
44	43 4/16	26.4	33.4	79	78 2/16	48.6	61.3	114	-	-	-				
45	44 13/16	27.6	35.1	80	79 10/16	49.8	62.2	115	114 7/16	71.2	79.7				
46	-	-	-	81	-	-	-	116	115 15/16	71.7	80.0				

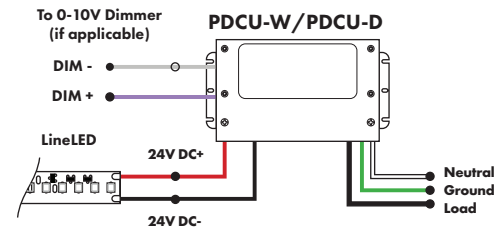
Power Supplies

See Power Supply instructions and spec sheet for wiring information. For a complete list of compatible dimmers, see Compatible Dimming Chart on the Resources page.

Universal Power Supply 1% 120VAC - 277VAC

MODEL	POWER	OUTPUT
PDCU-D - IP20 Dry Series	30 - 30 W 60 - 60 W 96 - 96 W 3X96 - 3X96 W	24 - 24 VDC
PDCU-W - IP66 Wet Series	96 - 96 W 3X96 - 3X96 W	

0-10V dims down to 1%, MLV/ELV/TRIAC dims down to 1%.
For a complete list of compatible dimmers, see [Compatible Dimming Chart](#) on the Resources page.

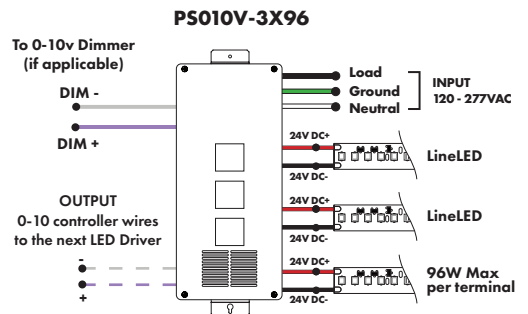
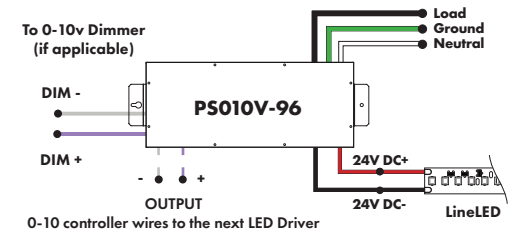


MODELS	PDCU-W 96W	PDCU-W 3X96W	PDCU-D 30W	PDCU-D 60W	PDCU-D 96W	PDCU-D 3X96W
Length	8.66"	11.85"	6.10"	7.93"	8.25"	9.57"
Width	3.73"	4.32"	3.35"	3.35"	4.10"	5.94"
Depth	1.61"	1.81"	1.33"	1.32"	1.56"	1.13"

0-10V Dimming Power Supplies 0.1% 120VAC - 277VAC

MODEL	POWER	OUTPUT	DIMMING
PS010V - 0-10V Power Supply dims down to 0.1%	96 - 96 Watt 3X96 - 3 X 96 Watt	24 - 24 VDC	LIN - Linear LOG - Logarithmic

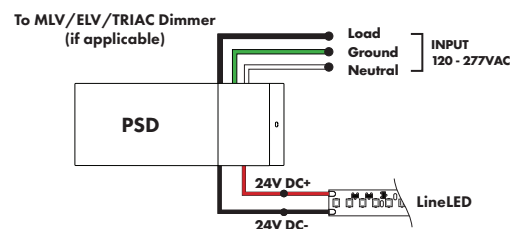
MODELS	96W	3X96
Length	14.40"	15.75"
Width	5.20"	6.62"
Depth	2.60"	4.95"



Magnetic Low Voltage Dimming Power Supplies

MODEL	POWER	OUTPUT	INPUT
PSD - PSD Series dims down to 0%	48 - 48 Watt 96 - 96 Watt 288 - 288 Watt (3 x 96Watt)	24 - 24 VDC	Blank - 120 V 240 - 240 V 277 - 277 V

MODELS	48W	96W	288W
Length	11.25"	11.25"	13.06"
Width	3.42"	3.42"	8.42"
Depth	3.42"	3.27"	4.47"



Power Supplies

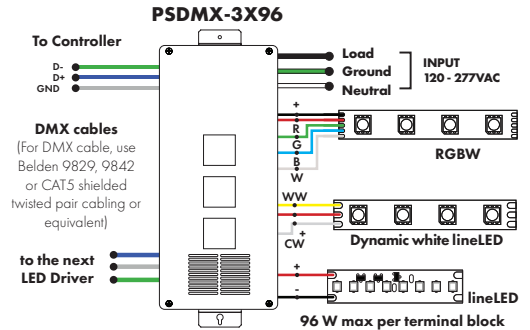
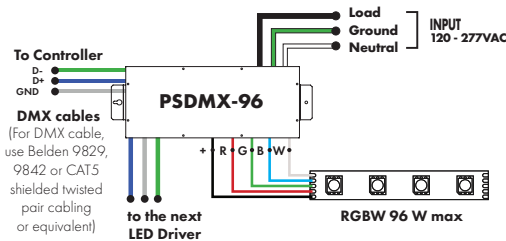
See Power Supply instructions and spec sheet for wiring information. For a complete list of compatible dimmers, see Compatible Dimming Chart on the Resources page.

DMX Dimming Power Supplies 120VAC - 277VAC

MODEL	POWER	OUTPUT
PSDMX - DMX Power Supply dims down to 0%	96 - 96 Watt 3X96 - 3 X 96 Watt	24 - 24 VDC

Features eldoLED's LINEARdrive configurable dimmable drivers

MODELS	96W	3X96
Length	14.40"	15.75"
Width	5.20"	6.62"
Depth	2.60"	4.95"

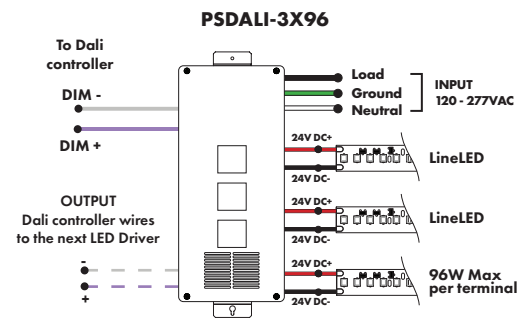
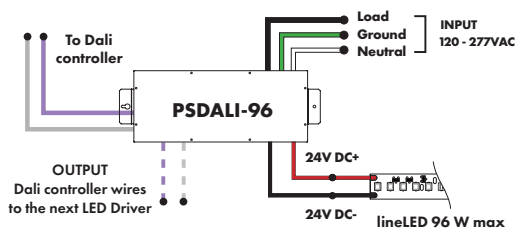


DALI 0% Dimming Power Supplies 120VAC - 277VAC

MODEL	POWER	OUTPUT
PSDALI - DALI Power Supply dims down to 0%	96 - 96 Watt 3X96 - 3 X 96 Watt	24 - 24 VDC

Features eldoLED's LINEARdrive configurable dimmable drivers

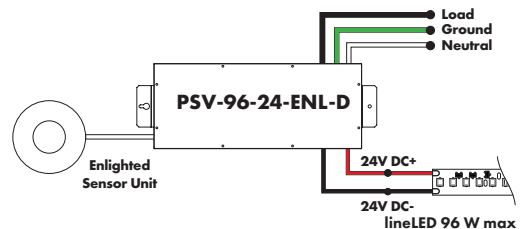
Model	96W	3X96
Length	14.40"	15.75"
Width	5.20"	6.62"
Depth	2.60"	4.95"



Enlighted Enabled Dimming Power Supplies 120VAC - 277VAC

MODEL	POWER	OUTPUT	DIMMING	LOCATION
PSV - PSV Series	96 - 96 Watt	24 - 24 VDC	ENL - Enlighted Dimming dims down to 0%	D - Damp

Model	96W
Length	14.40"
Width	5.20"
Depth	2.60"



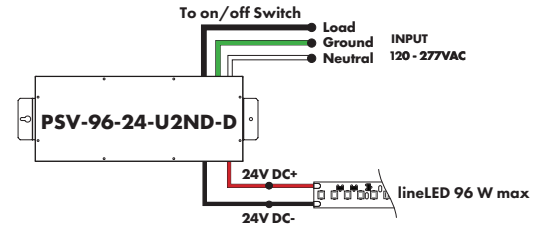
Power Supplies

See Power Supply instructions and spec sheet for wiring information. For a complete list of compatible dimmers, see Compatible Dimming Chart on the Resources page.

Non-Dimming Power Supply 120VAC - 277VAC

MODEL	POWER	OUTPUT	DIMMING	LOCATION
PSV - PSV Series	96 - 96 Watt	24 - 24 VDC	U2ND - Non Dimming	D - Damp

MODELS	96W
Length	14.40"
Width	5.20"
Depth	2.60"

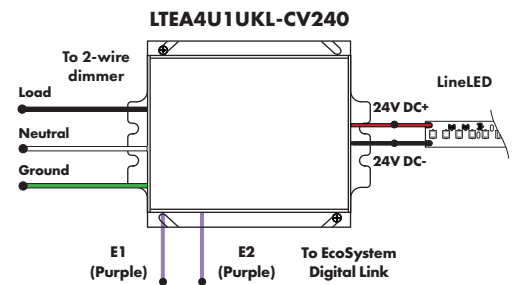
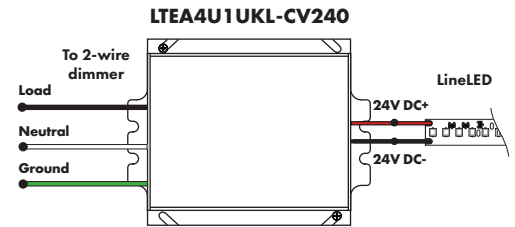


Luminii is a Lutron OEM Advantage Partner

Lutron Power Supplies 1%

MODEL	MODEL
LTEA4U1UKL-CV240	L3DA4U1UKL-CV240
Lutron - HiLume™ 1% 2-wire LED Driver 40W max	HiLume™ 1% EcoSystem Voltage LED driver 40W max
(120V forward phase only)	

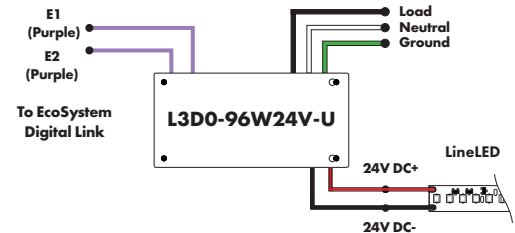
MODELS	LTEA4U1UKL-CV240	L3DA4U1UKL-CV240
Length	4.89"	4.98"
Width	4.00"	4.00"
Depth	2.62"	2.62"



Luminii is a Lutron OEM Advantage Partner

Lutron Power Supplies 0.1%

MODEL	MODELS	L3D0
L3D0-96W24V-U	Length	10.50"
HiLume™ 0.1% EcoSystem Voltage LED Driver with Soft-On, Fade-to-Black™ 96W max	Width	5.50"
	Depth	2.00"



In-Ground Power Supplies

MODEL	POWER	OUTPUT	INPUT
IG - In ground CVE Series	CVE - ELV Dimming DALI - eidoLED Dali dimming Both dims down to 0%	96X2 - 2 X 96 Watt	24 - 24 VDC
			Blank - 120 V 277 - 240/277 V

MODELS	Dual Circuit
Length	8.40"
Width	8.30"
Depth	8.10"

