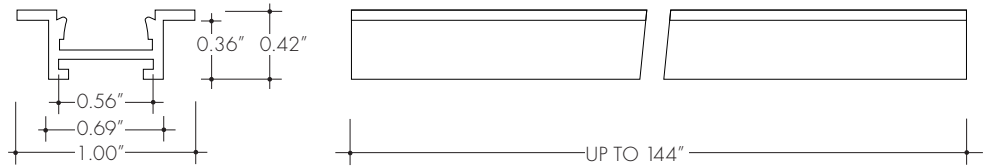
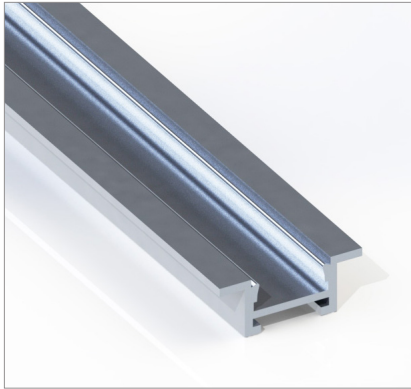


The KRS Channel is a linear aluminum extrusion that has been designed to fit many recess-mount LED lighting needs. The discrete profile and neutral finish allow for the perfect fit in multiple mounting surfaces for any application. Matching end-caps can be ordered separately.



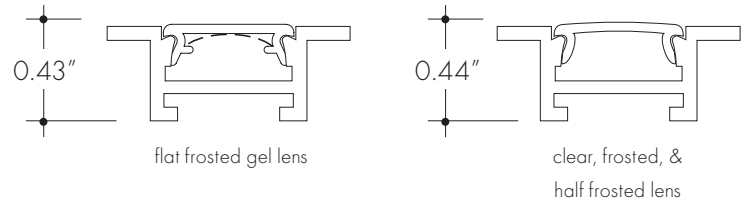
Technical information

Finish: Silver anodized, White

Diffuser lens: polycarbonate, snap-in-place, UV resistant

Mounting: multiple mounting brackets (page 2)

	Lens Options
Actual length	48", 72", 96", & 144"
Available lenses	<ul style="list-style-type: none"> - Clear - Frosted - Half Frosted - Flat Frosted Gel



Ordering code

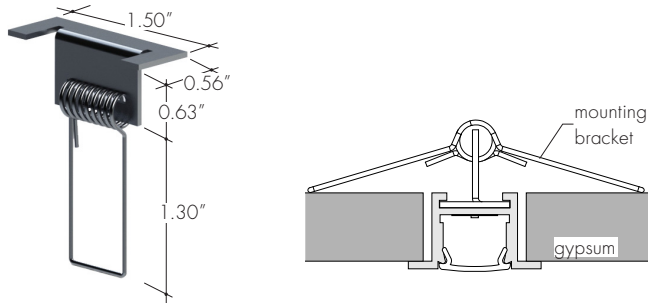
MODEL	LENGTH	LENS	FINISH
KRSC	48	C	SA
KRSC - KRS Channel	48 - 48" 72 - 72" 96 - 96" 144 - 144"	C - Clear F - Frosted HF - Half Frosted FFG - Flat Frosted Gel	SA - Silver anodized WH - White

NOTE: For Channels and Lenses over 90", incremental shipping charges will apply

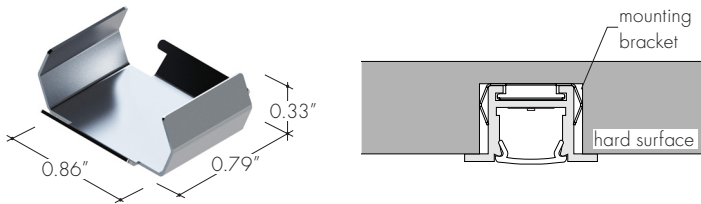
All accessories sold separately.

Mounting brackets

MB-KRMSC-G Galvanized steel mounting bracket for gypsum such as drywall, plaster, etc.



MB-KRMSC-H Stainless steel mounting bracket for hard surfaces such as wood, stone, tile, etc.



End-caps

EC-KRSC-F-H3-SA Silver anodized
EC-KRSC-F-H3-WH White

