

# KM, KS, KXL & KL Channel - Installation Instructions

Models KMC-XX, KSC-XX, KXLC-XX, & KLC-XX

**Please read all instructions prior to installation and keep for future reference!**

1. Product to be installed by a qualified electrician.
2. Prior to installation ensure power is off at fuse box to prevent electrical shock.

## 1

**Note:** Prior to install, 24VDC power must be present for wiring. Also review and account for all parts necessary to install properly.

**1.1** Snap the lens into the channel, then align & center the channel to the determined location. Then make any reference marks if needed to install the channel, reference step 3 for mounting options.

## 2

**Caution:** Safety equipment is recommended, when modifications are being made to the channel & lens.

**2.1** Extrusion & lens can be cut in the field. Using the proper blade for aluminum, cut to the desired length.

## 3

**3.1** Secure the channel to the surface by either mounting directly with screws or using mounting brackets.

a. **If mounting channel with screws:** Make counter sunk holes through the channel followed by screwing directly to the surface.

b. **If mounting channel with brackets:** For **fixed mounting brackets**, install a bracket 4" from each end, followed by installing one every 30". Then secure, by screwing through the bracket to the surface. For **adjustable mounting brackets**, install a bracket 4" from each end, followed by installing one every 30". Then secure, by slightly loosening the 2 screws on the side of each adjustable bracket. Then secure, by screwing through bracket to the surface. Then rotate to the desired position, followed by tightening the side screws.

STEP A

STEP B

STEP C

**MOUNT CHANNEL WITH SCREWS**

**FIXED BRACKET**

**ADJUSTABLE BRACKET**

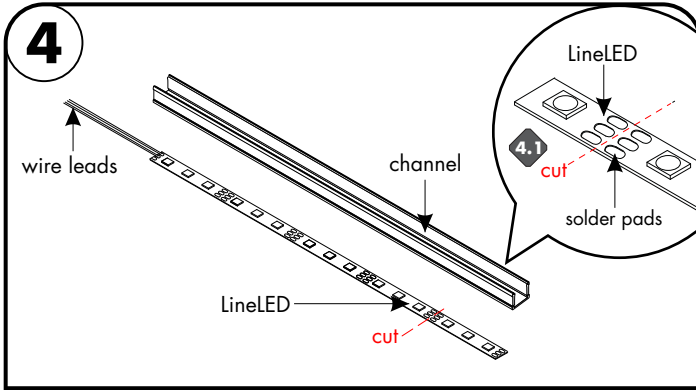
**MOUNT EXTRUSION WITH MOUNTING BRACKETS**

# KM, KS, KXL & KL Channel - Installation Instructions

Models KMC-XX, KSC-XX, KXLC-XX, & KLC-XX

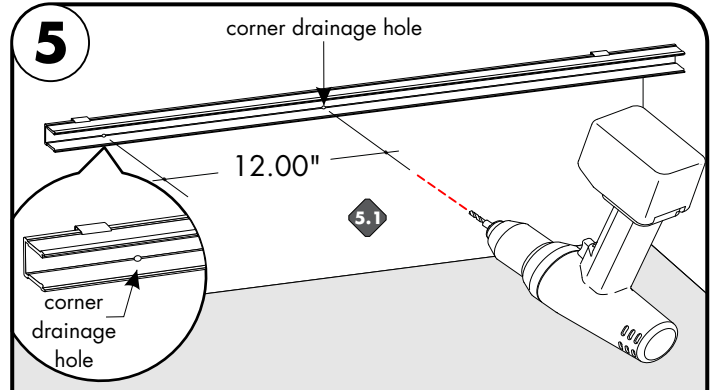
**Please read all instructions prior to installation and keep for future reference!**

1. Product to be installed by a qualified electrician.
2. Prior to installation ensure power is off at fuse box to prevent electrical shock.



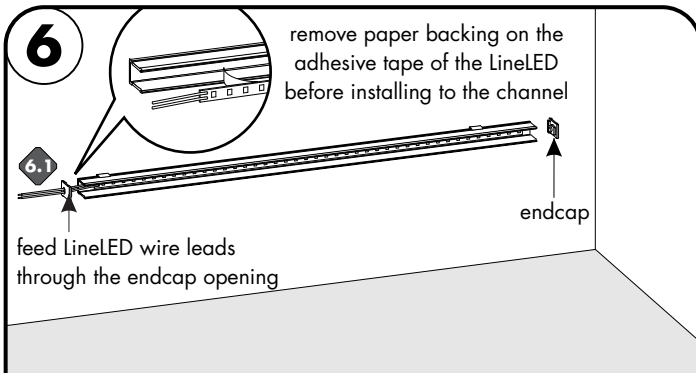
**4**

4.1 LineLED can be shortened by cutting along the dashed lines in between the solder pads. Make sure the cut is made on the side of the LineLED without the wire leads. LineLED cannot touch the metal endcap which will shorten the circuit.



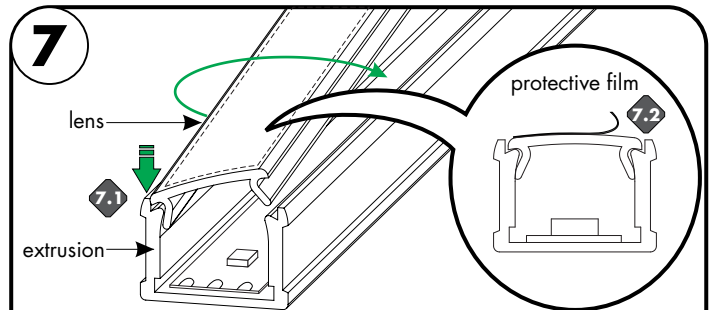
**5**

5.1 **Optional:** Extrusion are not waterproof. If it is going to be installed facing up and in a wet location, drainage holes should be drilled along the inner corner of the channel every 12". Drill 1/16" to 1/8" diameters holes before installing LED strip.



**6**

6.1 Prior to installing LineLED to channel, clean channel from any debris. Gently push LineLED onto aluminum channel and then install endcaps at both ends.

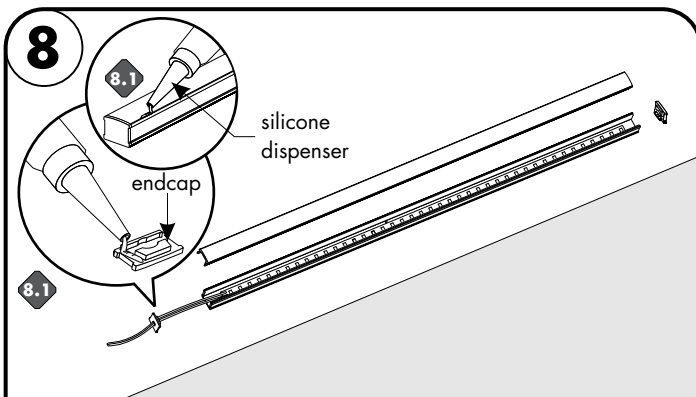


**7**

**Note:** Reference step 8 first if installing outdoors. Then return back to this step to install lens properly.

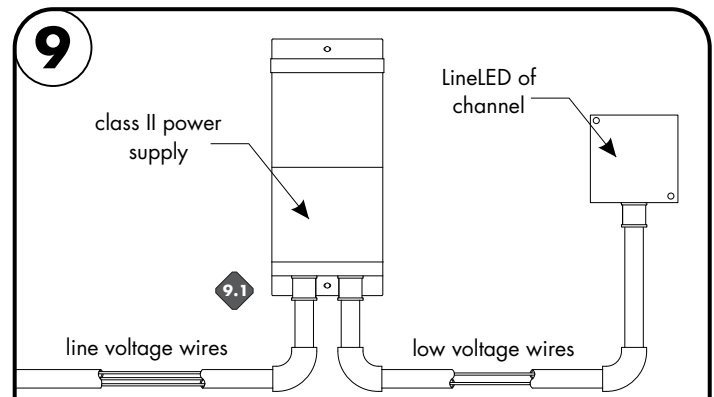
7.1 Insert the lens edge into the inside of the extrusion followed by simultaneously rotating & pushing the lens completely inside the extrusion.

7.2 Remove the protective film from the diffuser lens.



**8**

8.1 If channel is going to be installed outside, add silicone to the endcaps & the full length of the lens. To help avoid getting water inside the channel, but will not make waterproof.



**9**

9.1 Ensure the correct (wattage & voltage) power supply is used to power LineLED. Then proceed to connect LineLED wires from channel to power supply. For more information please refer to power supply and LineLED wiring instructions.