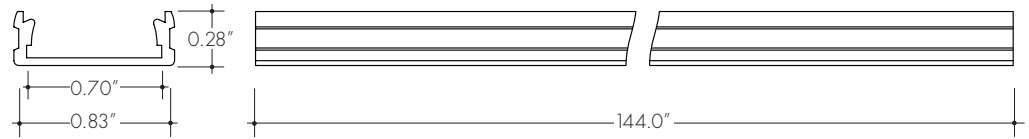
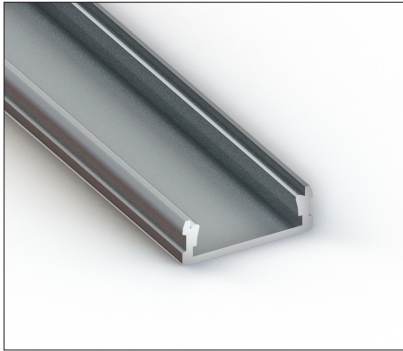


The KL Channel linear aluminum extrusion has been designed to fit many LED lighting needs. Multiple mounting and lens options allow for great flexibility and adaptability for any application. Extrusion and diffuser lenses are also field cuttable. Substantial aluminum mass in profile provides excellent heat sink for high power LEDs. Mounting brackets and endcaps are available in multiple finishes and sold separately.

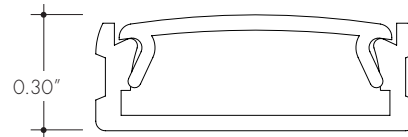


Technical information

Finish: Silver anodized, White

Diffuser lens: polycarbonate, snap-in-place, UV resistant

Mounting: multiple mounting brackets (page 2)



extrusion with lens

Lens Options	
Actual length	48", 72", 96", & 144"
Available lenses	- clear - frosted - half frosted

Ordering code

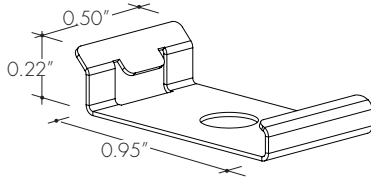
MODEL	LENGTH	DIFFUSER	FINISH
KLC	48	C	SA
KLC - KL Channel	48 - 48" 72 - 72" 96 - 96" 144 - 144"	C - Clear F - Frosted HF - Half Frosted	SA - Silver anodized WH - White

NOTE: For Channels and Lenses over 90", incremental shipping charges will apply

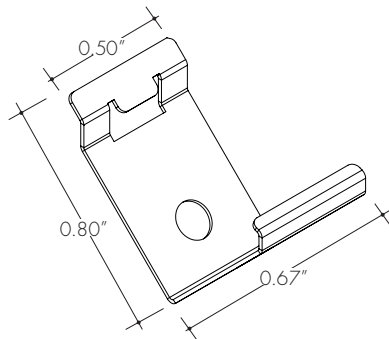
All accessories sold separately.

Mounting brackets

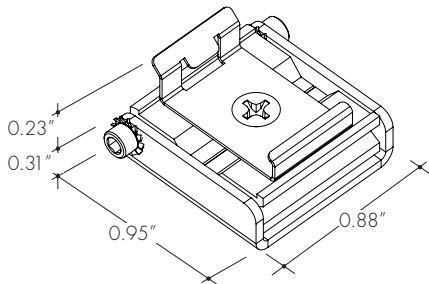
MB-KXLC-SS Stainless steel screw-in mounting bracket



MB-KXLC-45-SS Stainless steel screw-in 45° mounting bracket



MB-KXLC-A-SA Silver anodized adjustable mounting bracket



End-caps

EC-KLC-F-H4-SA Silver anodized w/powerfeed opening

EC-KLC-F-H4-WH White w/powerfeed opening

EC-KLC-F-H3-SA Silver anodized

EC-KLC-F-H3-WH White

