

Features

- 24VDC Class 2 fixtures made to order up to 144". Fixtures can be linked up to 16' depending on output
- Suitable for undercabinet, millwork recessed and surface mount applications
- Approved for closet/storage space installation per NEC 410.16(A)(3) and 410.16(C)(5)
- Dot free even illumination achievable in with frosted lens
- Vibrant colors with R9 values up to 98
- Single micro binned LEDs +/- 30 CCT
- Dims with minimal color shift
- Class 2 listed for damp locations
- Proprietary strong bond solder method handles up to 50lbs of torque on wire leads and connectors
- 5 Year warranty




Finish Options



 Silver anodized

IC RATED

 Black powder coated

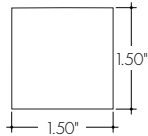
ROHS

 Bronze powder coated

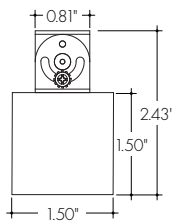


 White powder coated

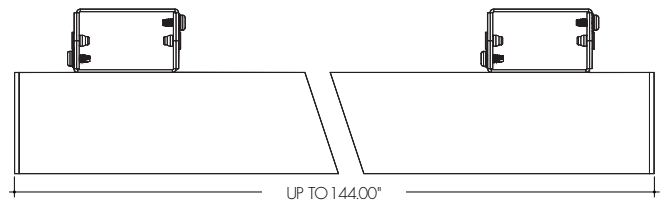
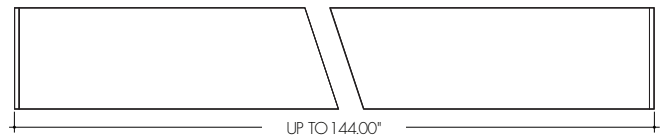
Product Dimensions



Kilo Profile



Kilo Profile/adjustable bracket



additional Kilo Fixture details on page 2

Technical Information

OUTPUT OPTIONS

Output	Lumens at 3000K (with frosted lens)	Average Power Consumption at 4'	Lumens / Watt (with frosted lens)	Maximum System Length (Achievable via feed through fixture wiring)
SO (2 X LL36)	306 lm/ft	6.5 W/ft	47 lm/W	19'
MO (2 X LL54)	498 lm/ft	9.7 W/ft	51 lm/W	13'
HO (2 X LL72)	655 lm/ft	12.0 W/ft	55 lm/W	9'

CCT INFO / LUMEN MULTIPLIER

TM-30-15

Color Temperature	Multiplier (reference - 3000K)	CRI	R _f	R _g
1900K	0.63	96	94	97
2200K	0.68	96	95	101
2400K	0.72	98	97	101
2700K	0.76	97	96	101
2900K	0.82	98	96	102
3000K	1.00	97	95	104
3500K	1.05	97	94	105
4100K	1.37	97	90	99

Ordering Code

MODEL	*LENGTH	CCT	*OUTPUT	LENS	MOUNTING	FINISH	LEFT END	RIGHT END	POWER FEED POSITION / TYPE
K	12	19K	SO	FF	CB	SA	LE	RE	B

K - Kilo 12" - 144" 4" increments 19K - 1900K 22K - 2200K 24K - 2400K 27K - 2700K 29K - 2900K 30K - 3000K 35K - 3500K 41K - 4100K

SO - Standard MO - Medium HO - High

FF - Optic Frosted Film

CB - Concealed bracket BM - Back-mount adjustable bracket

SA - Silver BK - Black BZ - Bronze WH - White

**LE - W/ endcap LN - W/O end cap **RE - W/ endcap RN - W/O end cap

B - Back E - End

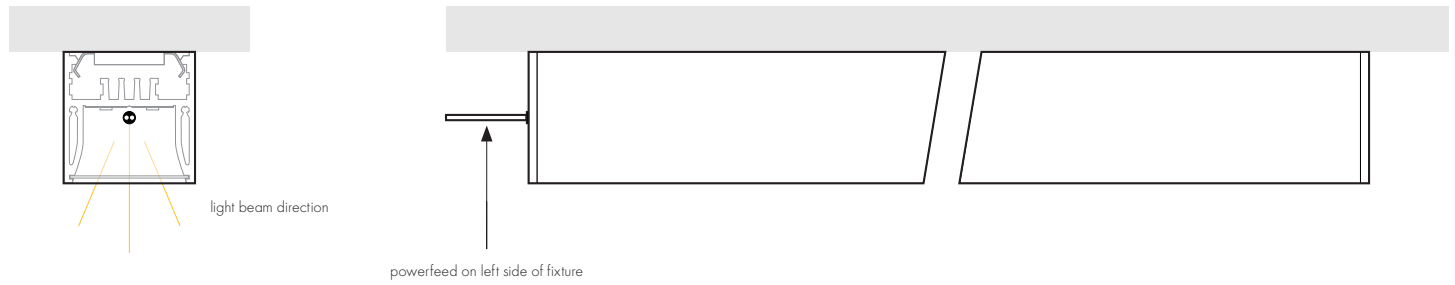
1 - 72" wire leads
1X2 - 72" wire leads at both ends
2 - 72" wire leads at one end and quick connect at other
3 - Single quick connect
4 - Dual quick connect

*Reference power consumption chart on page 3 to determine the max length per output.
**Select for a straight run independently of the system

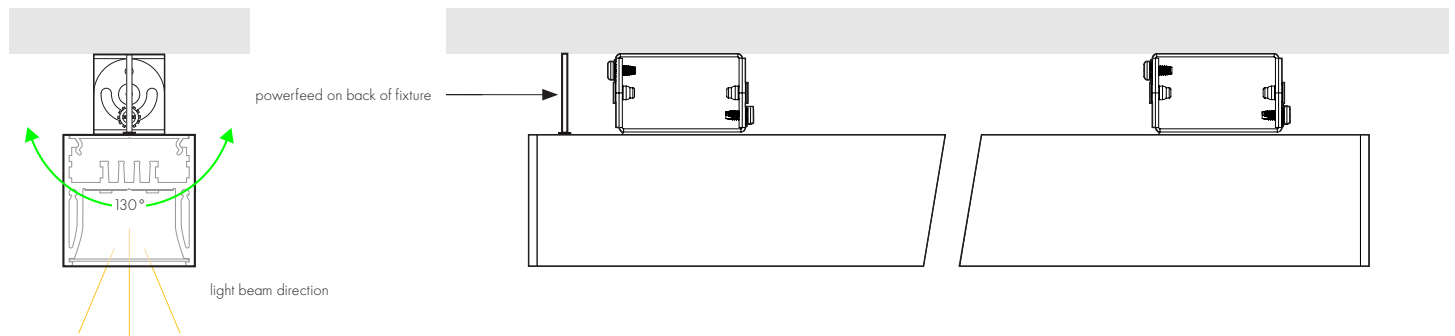
(BK, BZ, WH finishes will have an upcharge and require longer lead times)

Product Details

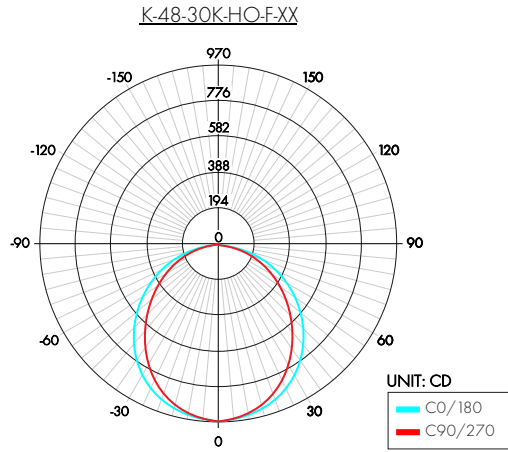
Concealed bracket mounting (CB) with End (E) 72" wire leads (1)



Back mount adjustable bracket (BM) with Back (B) 72" wire leads (1)

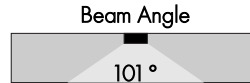


Photometry



Zonal Lumen Summary 3000K

Zone	Lumen	% Fixture
0-30	744	28%
0-40	1211	46%
0-60	2097	80%
0-90	2598	99%
Total	2621	100%

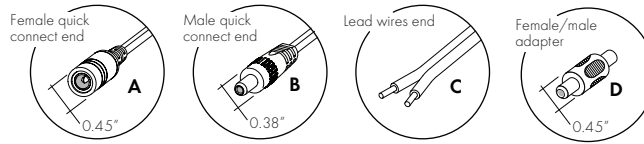


Power Consumption Per Fixture Length

Based on operation with PSD series of power supplies.

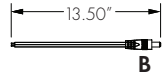
Nominal Length	Actual Length	SO		Actual Length	MO		Actual Length	HO	
		W/ft	Total wattage		W/ft	Total wattage		W/ft	Total wattage
12"	12-13/16"	6.50	6.50	12-12/16"	10.70	10.60	12-12/16"	13.50	13.50
16"	16-11/16"	6.50	8.00	16-11/16"	10.66	14.12	16-10/16"	13.50	18.00
20"	20-11/16"	6.50	10.50	20-11/16"	10.62	17.64	20-10/16"	13.50	22.50
24"	24-9/16"	6.50	13.00	24-10/16"	10.60	21.20	24-9/16"	13.50	27.00
28"	28-8/16"	6.50	15.50	28-8/16"	10.56	24.66	28-8/16"	13.50	33.50
32"	32-8/16"	6.50	17.00	32-8/16"	10.50	28.12	32-7/16"	13.50	38.00
36"	36-6/16"	6.50	19.50	36-7/16"	10.50	31.60	36-6/16"	13.30	39.9
40"	40-5/16"	6.50	20.50	40-6/16"	10.46	34.80	41-5/16"	13.30	44.40
44"	44-5/16"	6.40	23.50	44-5/16"	10.42	38.00	45-4/16"	13.3	48.80
48"	48-4/16"	6.40	25.60	48-4/16"	10.40	41.20	49-3/16"	13.10	52.42
52"	52-3/16"	6.40	26.60	53-8/16"	10.36	44.80	53-2/16"	13.10	57.00
56"	56-2/16"	6.40	29.60	57-7/16"	10.32	48.40	57-1/16"	13.10	61.00
60"	60-1/16"	6.40	32.00	61-6/16"	10.30	52.00	61 "	12.90	64.50
64"	64 "	6.40	34.00	65-5/16"	10.26	55.20	64-15/16"	12.90	68.80
68"	69-14/16"	6.30	36.00	69-4/16"	10.22	58.40	68-14/16"	12.90	73.10
72"	73-13/16"	6.30	37.80	73-3/16"	10.20	61.60	72-13/16"	12.80	76.80
76"	77-12/16"	6.30	38.00	77-2/16"	10.16	64.80	76-12/16"	12.80	81.00
80"	81-12/16"	6.30	43.00	81-2/16"	10.12	68.00	80-11/16"	12.80	86.00
84"	85-10/16"	6.30	44.10	85-1/16"	10.10	71.40	84-10/16"	12.50	87.50
88"	89-9/16"	6.30	46.00	88-15/16"	10.06	74.20	88-9/16"	12.50	92.00
92"	93-8/16"	6.20	48.00	92-14/16"	10.02	77.00	92-8/16"	12.5	96.00
96"	97-7/16"	6.20	49.60	96-14/16"	10.00	80.00			
100"	101-7/16"	6.20	52.60	100-13/16"	9.97	83.20			
104"	105-5/16"	6.10	54.20	104-12/16"	9.95	86.40			
108"	109-5/16"	6.10	56.00	108-11/16"	9.92	89.60			
112"	113-4/16"	6.10	57.00	112-10/16"	9.90	92.40			
116"	117-2/16"	6.10	60.00	116-9/16"	9.88	95.20			
120"	121-2/16"	6.00	61.00						
124"	125-1/16"	6.00	63.00						
128"	128-15/16"	6.00	65.00						
132"	132-15/16"	5.90	67.00						
136"	136-14/16"	5.90	68.60						
140"	140-13/16"	5.90	71.00						
144"	144-12/16"	5.80	72.00						

Connectors & Accessories

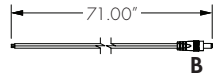


Linking and extension cable options

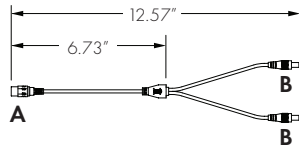
Male quick-connect
Part # LMC



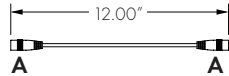
Male quick-connect long
Part # LMC-70



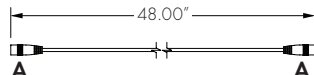
Y-splitter
Part # LYC



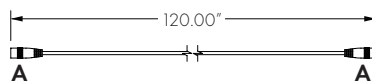
12" extension cable
Part # EC-12



48" extension cable
Part # EC-48



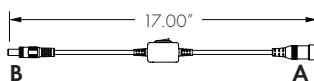
120" extension cable
Part # EC-120



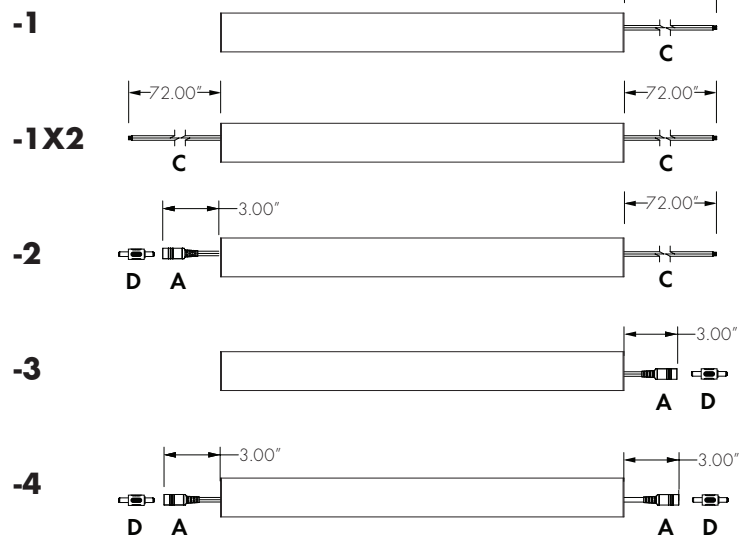
Female/male adaptor
Part # FMA



Inline DC switch
Part # IS-DC



Power feed options

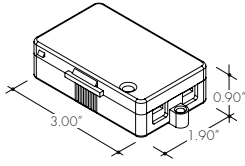


Accessories

Splice Box

LVSP-4T-BK

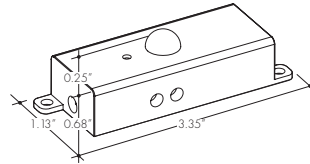
Low voltage, 4 terminal splice box, black



PIR Infrared Occupancy Sensor

OS-DC-F4-BK

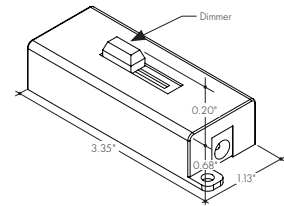
OS-DC-F4-BK - Occupancy Sensor



24VDC Low Voltage In-Line Dimmer Module

DIM-DC-F4-BK

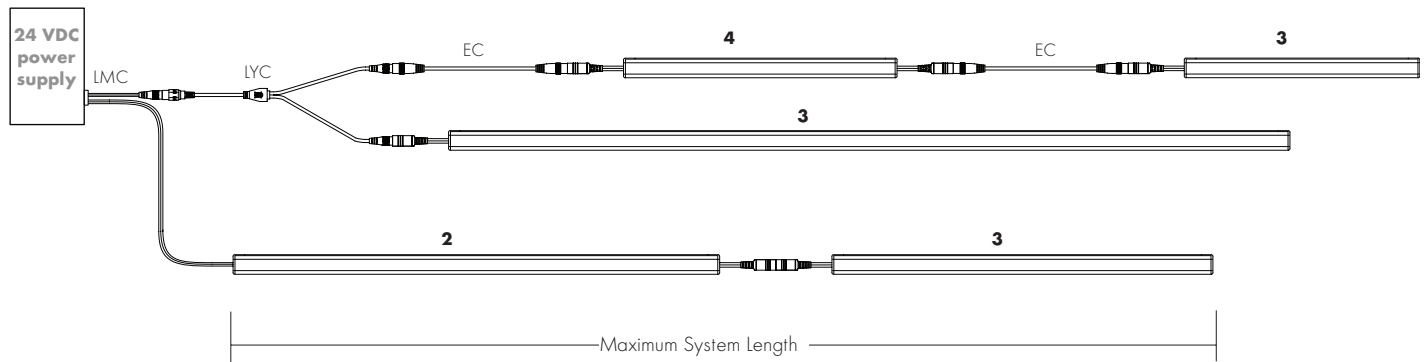
DIM-DC-F4-BK - 24VDC Low Voltage In-Line Dimmer Module



Note: a Male quick connector for input and output is required.

Note: a Male quick connector for input and output is required.

Sample layout of powerfeed connections



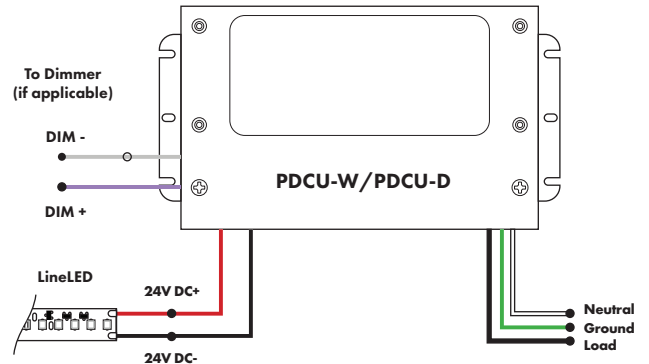
Power Supply

See fixture and power supply instructions & spec sheet for wiring information. Dimming possible in select models - view Luminii website for list of compatible dimmers.

Universal Power Supply

MODEL	POWER	OUTPUT
PDCU-W	96	24
PDCU-W - IP66 Wet Series	96 - 96 W 3X96 - 3X96 W	24 - 24 VDC
PDCU-D - IP20 Dry Series	30 - 30 W 60 - 60 W 96 - 96 W 3X96 - 3X96 W	

0-10V - 1% dimming
MLV/ELV/TRIAC - 1% dimming, consult dimming compatibility chart
Compatibility:
View a complete list of compatible dimmers on product page ([Link](#))

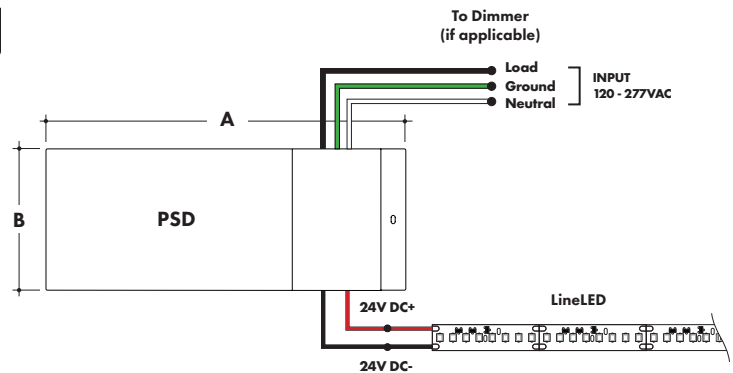


MODELS	PDCU-W 96W	PDCU-W 3X96W	PDCU-D 30W	PDCU-D 60W	PDCU-D 96W	PDCU-D 3X96W
A Length	8.66"	11.85"	6.10"	7.93"	8.25"	9.57"
B Width	3.73"	4.32"	3.35"	3.35"	4.10"	5.94"
Depth	1.61"	1.81"	1.33"	1.32"	1.56"	1.13"

Magnetic Low Voltage Dimming Power Supplies

MODEL	POWER	OUTPUT	INPUT
PSD	48	24	
PSD - PSD Series dims down to 0%	48 - 48 Watt 96 - 96 Watt 288 - 288 Watt (3 x 96Watt)	24 - 24 VDC	Blank - 120 V 240 - 240 V 277 - 277 V

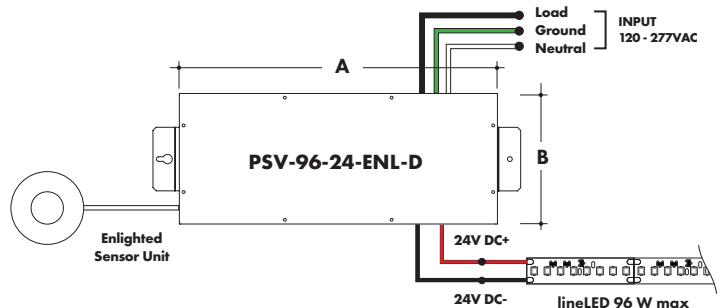
MODELS	48W	96W	288W
A Length	11.25"	11.25"	13.06"
B Width	3.42"	3.42"	8.42"
Depth	3.42"	3.27"	4.47"



Enlighted Enabled Dimming Power Supplies:

MODEL	POWER	OUTPUT	DIMMING	LOCATION
PSV	96	24	ENL	D
PSV - PSV Series	96 - 96 Watt	24 - 24 VDC	ENL - Enlighted Dimming	D - Damp

MODELS	96W
A Length	14.40"
B Width	5.20"
Depth	2.60"



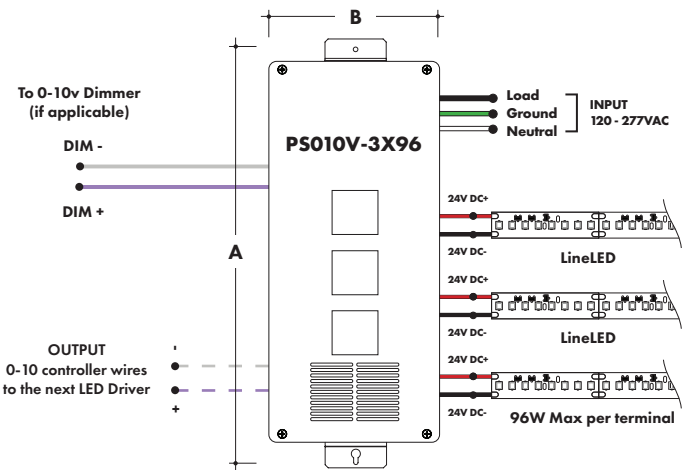
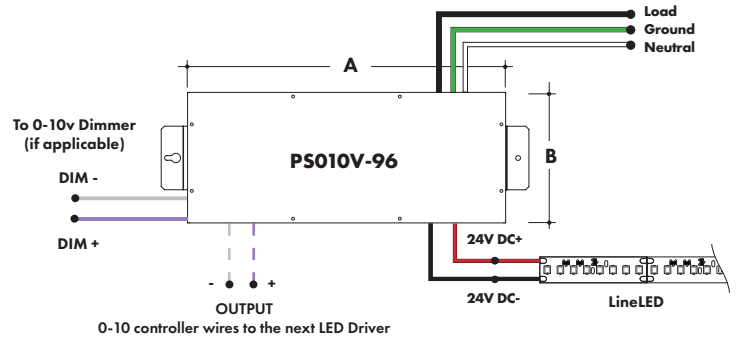
Power Supply

See fixture and power supply instructions & spec sheet for wiring information. Dimming possible in select models - view Luminii website for list of compatible dimmers.

0-10V Dimming Power Supplies

MODEL	POWER	OUTPUT	DIMMING
PS010V	96	24	LIN
PS010V - 0-10V Power Supply dims down to 0%	96 - 96 Watt 3X96 - 3 X 96 Watt	24 - 24 VDC	LIN - Linear LOG - Logarithmic

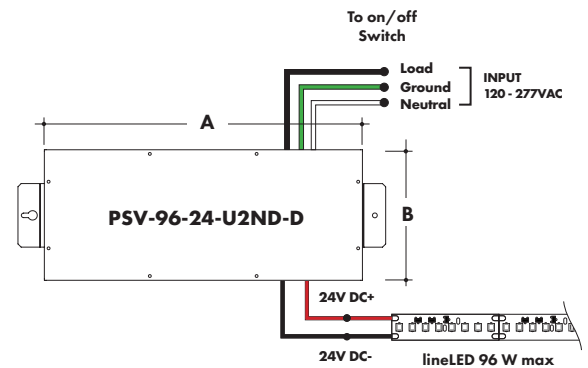
MODELS	96W	3X96
A Length	14.40"	15.75"
B Width	5.20"	6.62"
Depth	2.60"	4.95"



Non-Dimming Power Supply

MODEL	POWER	OUTPUT	DIMMING	LOCATION
PSV	96	24	U2ND	D
PSV - PSV Series	96 - 96 Watt	24 - 24 VDC	U2ND - Non Dimming	D - Damp

MODELS	96W
A Length	14.40"
B Width	5.20"
Depth	2.60"



Power Supply

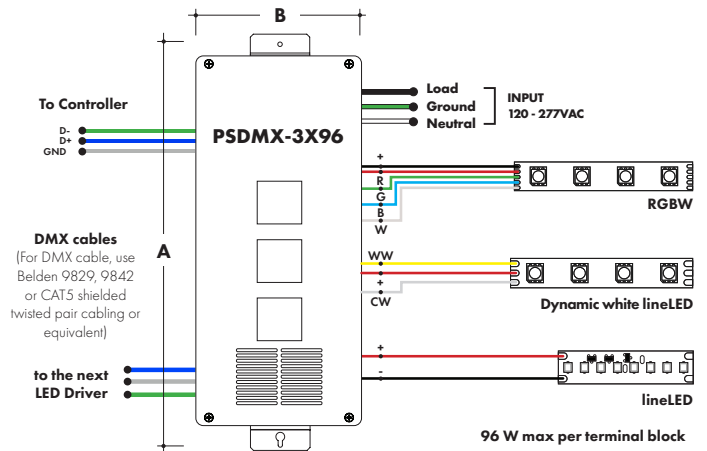
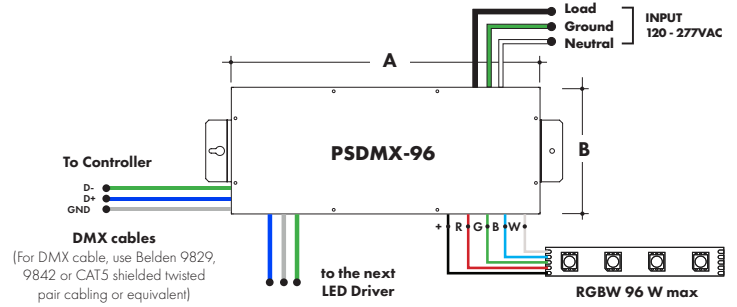
See fixture and power supply instructions & spec sheet for wiring information. Dimming possible in select models - view Luminii website for list of compatible dimmers.

DMX Dimming Power Supplies

MODEL	POWER	OUTPUT
PSDMX	96	24
PSDMX - DMX Power Supply	96 - 96 Watt 3X96 - 3 X 96 Watt	24 - 24 VDC

Features eldoLED's LINEARdrive configurable dimmable drivers

MODELS	96W	3X96
A Length	14.40"	15.75"
B Width	5.20"	6.62"
Depth	2.60"	4.95"

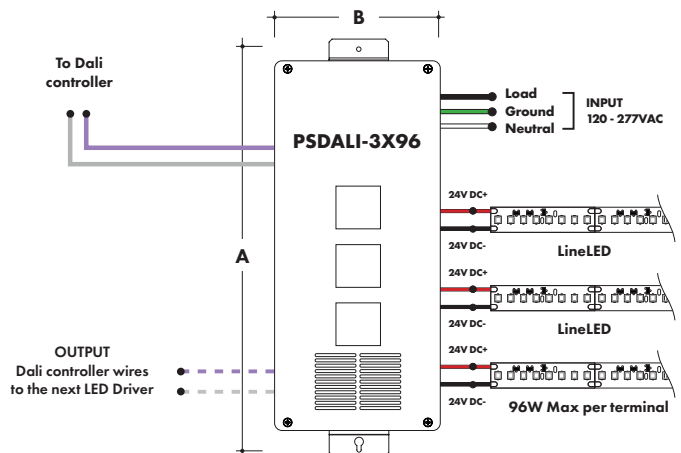
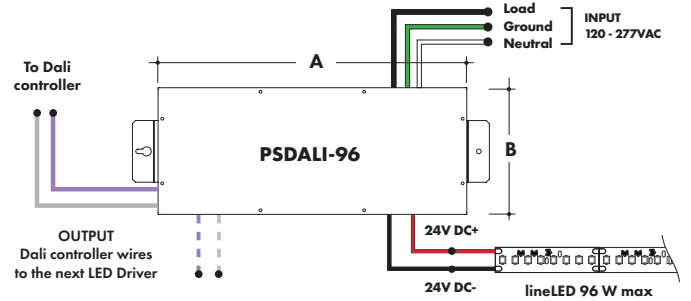


DALI Dimming Power Supplies

MODEL	POWER	OUTPUT
PSDALI	96	24
PSDALI - DALI Power Supply	96 - 96 Watt 3X96 - 3 X 96 Watt dims down to 0%	24 - 24 VDC

Features eldoLED's LINEARdrive configurable dimmable drivers

MODELS	96W	3X96
A Length	14.40"	15.75"
B Width	5.20"	6.62"
Depth	2.60"	4.95"



Power Supply

See fixture and power supply instructions & spec sheet for wiring information. Dimming possible in select models - view Luminii website for list of compatible dimmers.



Luminii is a Lutron OEM Advantage Partner

MODEL

LTEA4U1UKL-CV240

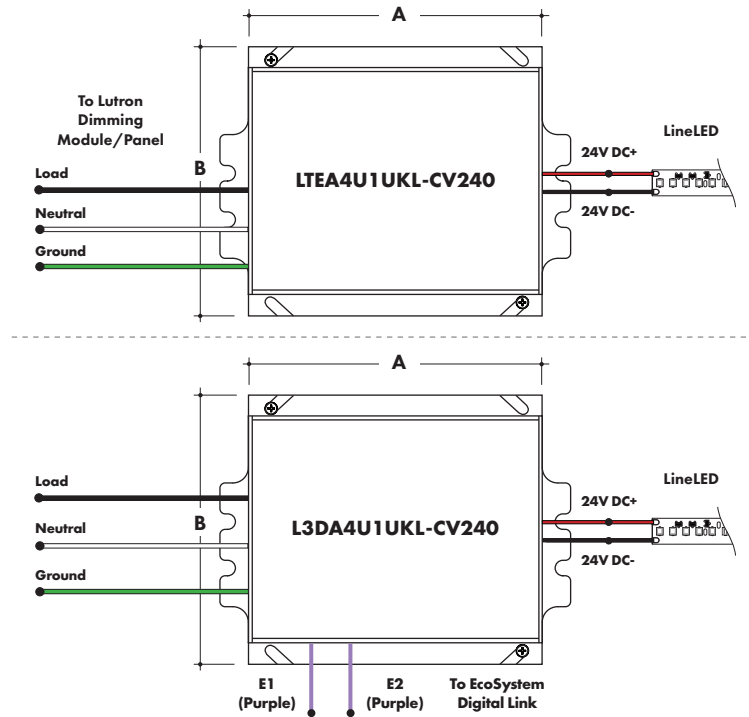
Lutron - HiLume™ 1% 2-wire LED Driver
(120V forward phase only)

MODEL

L3DA4U1UKL-CV240

HiLume™ 1% EcoSystem Voltage LED driver

MODELS	LTEA4U1UKL-CV240	L3DA4U1UKL-CV240
A Length	4.89"	4.98"
B Width	4.00"	4.00"
Depth	2.62"	2.62"



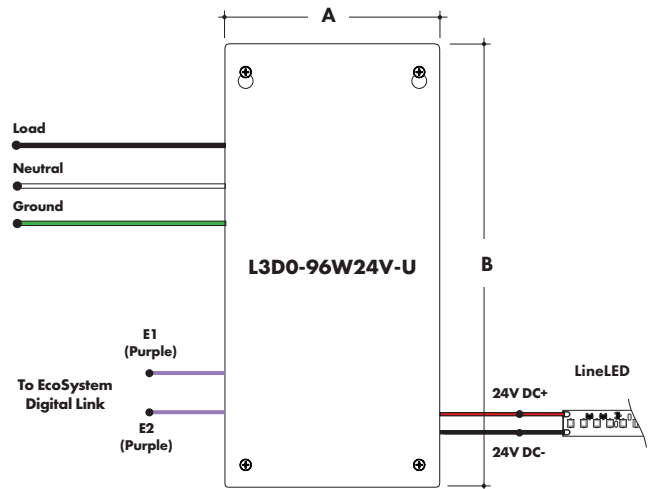
Luminii is a Lutron OEM Advantage Partner

MODEL

L3D0-96W24V-U

HiLume™ 0.1% EcoSystem Voltage LED Driver with Soft-On, Fade-to-Black™

MODELS	L3D0
A Length	10.50"
B Width	5.50"
Depth	2.00"



Power Supply

See fixture and power supply instructions & spec sheet for wiring information. Dimming possible in select models - view Luminii website for list of compatible dimmers.

In ground, Electronic Low Voltage Dimming Power Supplies

MODEL	POWER	OUTPUT	INPUT
IG - CVE	96X2	24	
IG - In ground CVE Series	96X2 - 2 X 96 Watt	24 - 24 VDC	Blank - 120 V 277 - 240/277 V
CVE - ELV Dimming DALI - eldoLED Dali dimming Both dims down to 0.1%			

MODELS	Dual Circuit
A Length	8.40"
B Width	8.30"
Depth	8.10"

