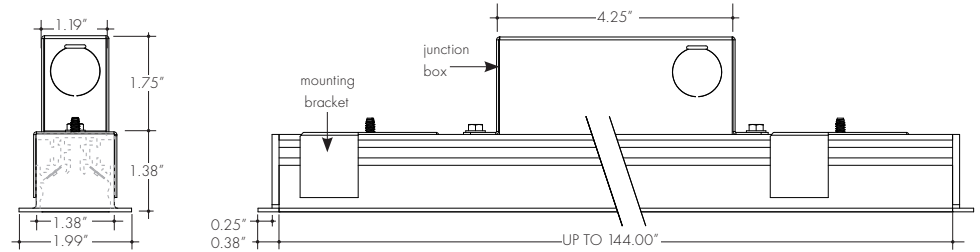


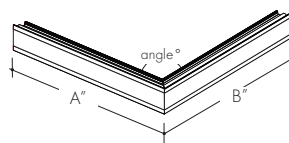
Extruded aluminum linear corners complete an area that contains corners or straight turns. Kilo Recessed Corners have mitered cuts that are available in a standard 90°, or custom angle. The Kilo Recessed Corner is suitable for general illumination, architectural accents, display cases and many other discrete recessed applications. Class 2 listed for damp locations.



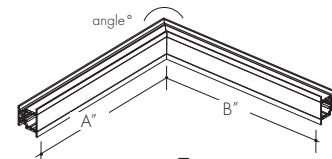
Kilo Recessed Profile W/ junction box



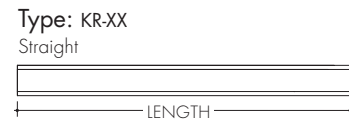
Kilo Recessed System Options



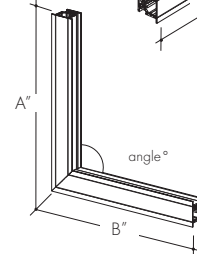
Type: KRC-OC-XX  
Outside Corner



Type: KRC-IC-XX  
Inside Corner



Type: KR-XX  
Straight



Type: KRC-FC-XX  
Flat Corner



## Finish options



Black powder coated



Bronze powder coated



Silver anodized



White powder coated

## Technical Information

### OUTPUT OPTIONS

Output	Lumens at 3000K (with clear lens)	Average power consumption at 4'	Lumens / Watt (with clear lens)
SO (2 x LL36)	329 lm/ft	6.5 W/ft	51 lm/W
MO (2 x LL54)	489 lm/ft	9.7 W/ft	50 lm/W
HO (2 x LL72)	735 lm/ft	12.0 W/ft	61 lm/W

### CCT INFO / LUMEN MULTIPLIER

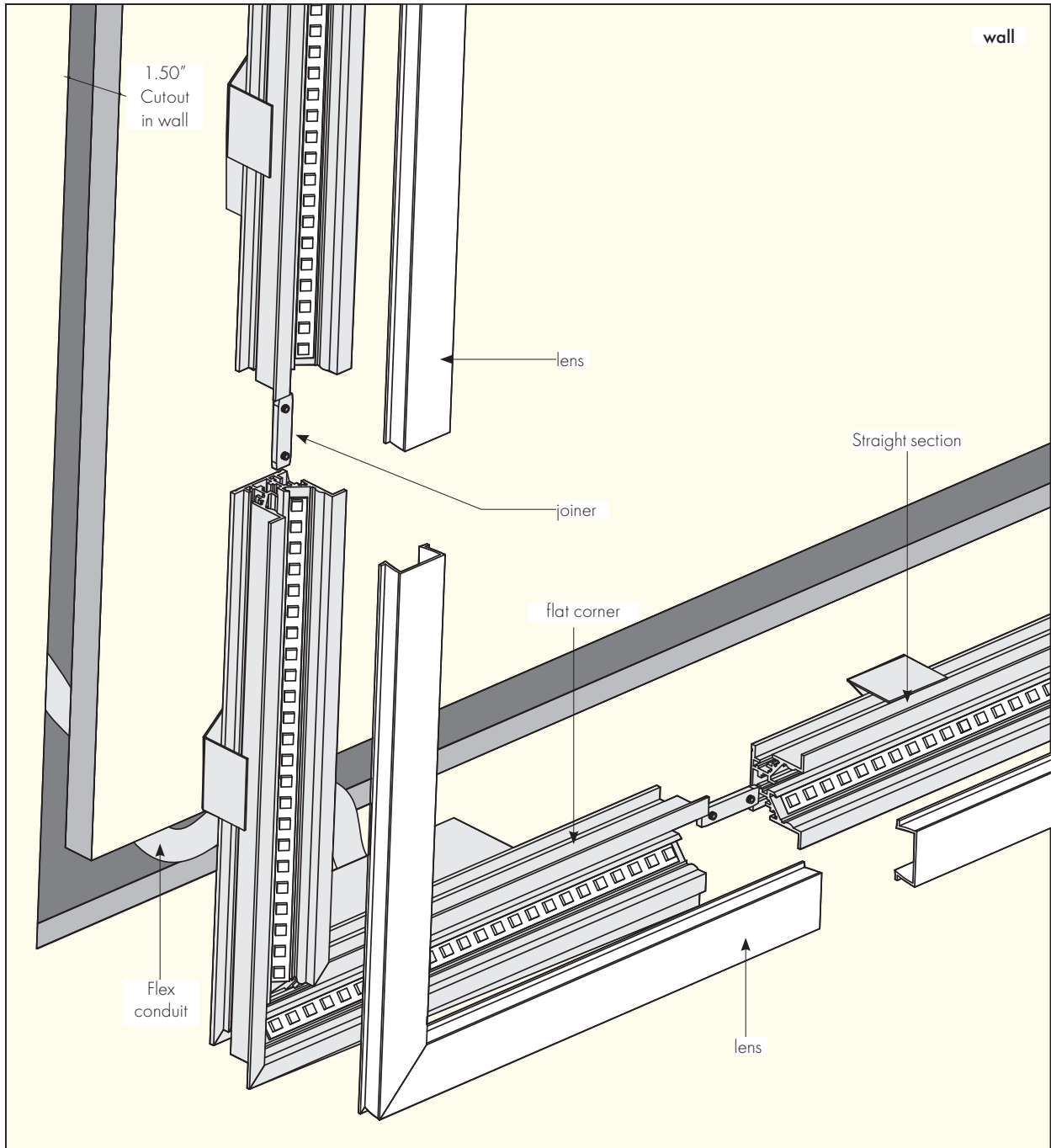
Color Temperature	Multiplier (reference - 3000K)	TM-30-15		
		CRI	R <sub>f</sub>	R <sub>g</sub>
1900K	0.63	96	94	97
2200K	0.68	96	95	101
2400K	0.72	98	97	101
2700K	0.76	97	96	101
2900K	0.82	98	96	102
3000K	1.00	97	95	104
3500K	1.05	97	94	105
4100K	1.37	97	90	99

## Ordering code

MODEL	CORNER TYPE	ANGLE	CCT	OUTPUT	LENS	FINISH	LEFT END	RIGHT END	POWER FEED POSITION
KRC	IC	90	19K	SO	F	SA	LE	RE	B
KRC - Kilo Recessed Corner	IC - Inside Corner OC - Outside Corner FC - Flat	90 - 90° C - Custom°	19K - 1900K 22K - 2200K 24K - 2400K 27K - 2700K 29K - 2900K 30K - 3000K 35K - 3500K 41K - 4100K	SO - Standard MO - Medium HO - High	F - Frosted	SA - Silver BK - Black BZ - Bronze WH - White	LE - W/endcap LN - W/O endcap	RE - W/endcap RN - W/O endcap	B - Back JB - Integrated junction box
									1 - Wire leads

[BK, BZ, WH finishes will have an upcharge and require longer lead times]

Corners assembly examples



Ordering code for straight sections

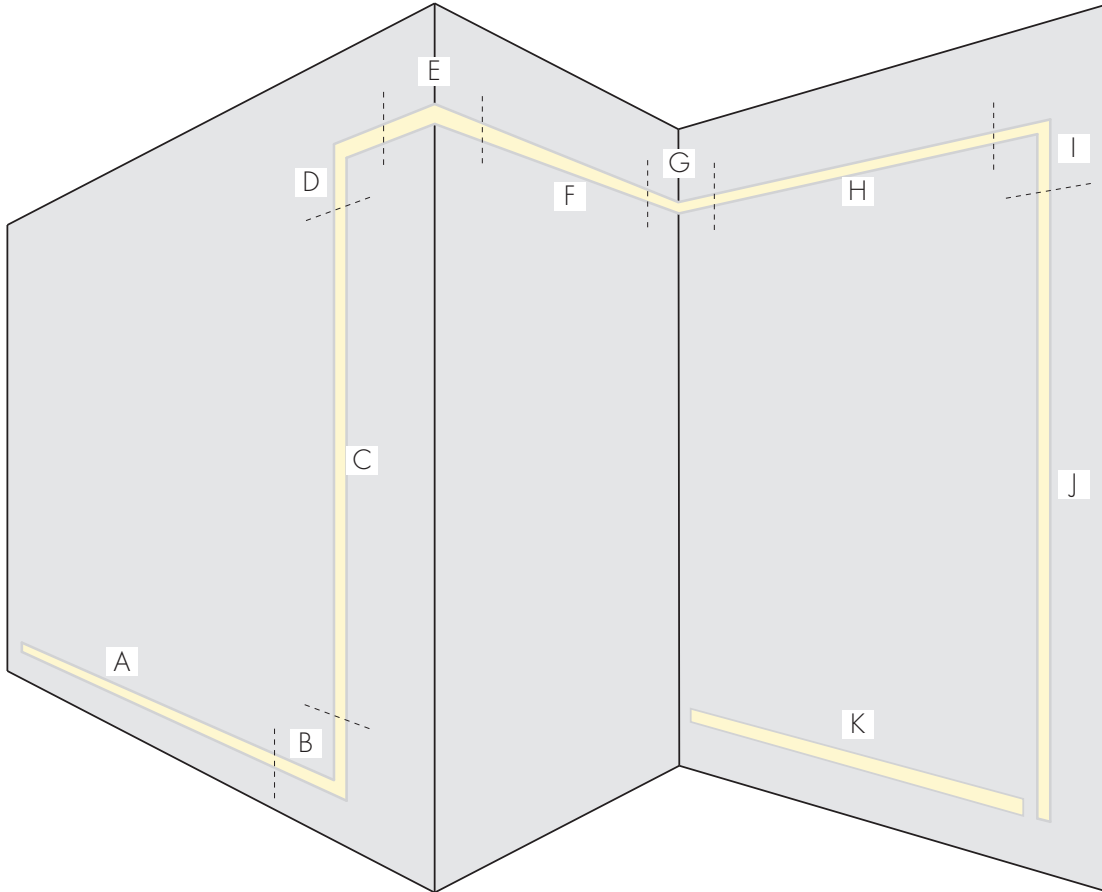
MODEL	LENGTH	CCT	OUTPUT	LENS	FINISH	LEFT END	RIGHT END	POWER FEED POSITION / TYPE	
<b>KR</b>	<b>12</b>	<b>19K</b>	<b>SO</b>	<b>F</b>	<b>SA</b>	<b>LE</b>	<b>RE</b>	<b>B</b>	<b>1</b>
KR - Kilo Recessed	12" - 144" 4" increments	19K - 1900K 22K - 2200K 24K - 2400K 27K - 2700K 29K - 2900K 30K - 3000K 35K - 3500K 41K - 4100K	SO - Standard MO - Medium HO - High	F - Frosted	SA - Silver BK - Black BZ - Bronze WH - White (BK,BZ,WH finishes will have an upcharge and require longer lead times)	*LE - W/ endcap LN - W/O endcap	*RE - W/ endcap RN - W/O endcap	B - Back JB - Integrated junction box	1 - Wire leads

\* Select for a straight run independently of the system

Layout example

Corner types are ordered individually following ordering code on page 1.

If using corners to complete a system follow Kilo recessed ordering code for all straight runs on page 2.



Example ordering codes for the above layout

Section	Ordering Code	Description
A	<b>KR - 108 - 29K - MO - F - SA - LE - RN - B-1</b>	9'-0" straight run, medium output
B	<b>KRC - FC - 90 - 29K - MO - F - SA - LN - RN - B-1</b>	90° flat corner turn, medium output
C	<b>KR - 72 - 29K - MO - F - SA - LN - RN - B-1</b>	6'-0" straight run, medium output
D	<b>KRC - FC - 90 - 29K - MO - F - SA - LN - RN - B-1</b>	90° flat corner turn, medium output
E	<b>KRC - OC - 90 - 29K - MO - F - SA - LN - RN - B-1</b>	90° outside corner turn, medium output
F	<b>KR - 36 - 29K - MO - F - SA - LN - RN - B-1</b>	3'-0" straight run, medium output
G	<b>KRC - IC - 90 - 29K - MO - F - SA - LN - RN - B-1</b>	90° inside corner turn, medium output
H	<b>KR - 48 - 29K - MO - F - SA - LN - RN - B-1</b>	4'-0" straight run, medium output
I	<b>KRC - FC - 90 - 29K - MO - F - SA - LN - RN - B-1</b>	90° flat corner turn, medium output
J	<b>KR - 84 - 29K - MO - F - SA - LN - RE - B-1</b>	7'-0" straight run, medium output
K	<b>KR - 48 - 29K - MO - F - SA - LE - RE - B-1</b>	4'-0" straight run, medium output

## Power feed & Accessory example

Section below is taken from the ordering code, reference page 1 & 2 for complete code

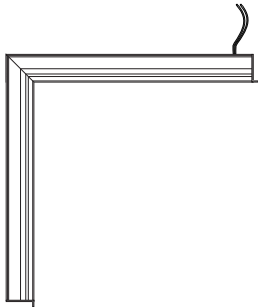
POWER FEED POSITION / TYPE

**B** - **1**

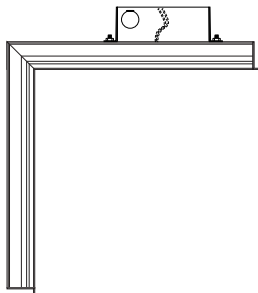
B - Back  
 JB - Junction  
 Box  
 1 - Wire leads

### Powefeed options for KRC fixtures

**B-1** : Wire leads, plenum rated CL3R cable



**JB-1** : One integrated junction box



### Powefeed options for KR straight sections

**B-1** : Wire leads, plenum rated CL3R cable



**JB-1** : One integrated junction box

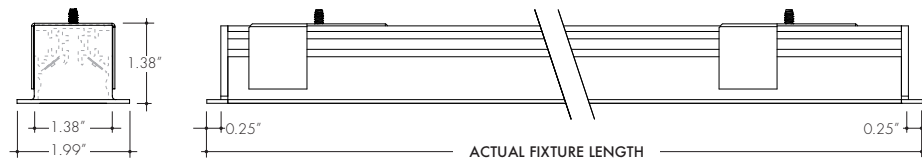


### Power consumption per fixture length

Based on operation with PSD series of power supplies.

Nominal Length	Actual Length	SO		Actual Length	MO		Actual Length	HO	
		W/ft	Total wattage		W/ft	Total wattage		W/ft	Total wattage
12"	13-6/16"	6.50	6.50	13-5/16"	10.70	10.60	13-5/16"	13.50	13.5
16"	17-4/16"	6.50	8.00	17-4/16"	10.66	14.12	17-3/16"	13.50	18
20"	21-4/16"	6.50	10.50	21-4/16"	10.62	17.64	21-3/16"	13.50	22.5
24"	25-2/16"	6.50	13.00	25-3/16"	10.60	21.20	25-2/16"	13.50	27
28"	29-1/16"	6.50	15.50	29-1/16"	10.56	24.66	29-1/16"	13.50	33.5
32"	33-1/16"	6.50	17.00	33-1/16"	10.50	28.12	33 "	13.50	38
36"	36-15/16"	6.50	19.50	37 "	10.50	31.60	36-15/16"	13.30	39.9
40"	40-14/16"	6.50	20.50	40-15/16"	10.46	34.80	41-14/16"	13.30	44.4
44"	44-14/16"	6.40	23.50	44-14/16"	10.42	38.00	45-13/16"	13.3	48.8
48"	48-13/16"	6.40	25.60	48-13/16"	10.40	41.20	49-12/16"	13.10	52.4
52"	52-12/16"	6.40	26.60	54-1/16"	10.36	44.80	53-11/16"	13.10	57
56"	56-11/16"	6.40	29.60	58 "	10.32	48.40	57-10/16"	13.10	61
60"	60-10/16"	6.40	32.00	61-15/16"	10.30	52.00	61-9/16"	12.90	64.5
64"	64-9/16"	6.40	34.00	65-14/16"	10.26	55.20	65-8/16"	12.90	68.8
68"	70-7/16"	6.30	36.00	69-13/16"	10.22	58.40	69-7/16"	12.90	73.1
72"	74-6/16"	6.30	37.80	73-12/16"	10.20	61.60	73-6/16"	12.80	76.8
76"	78-5/16"	6.30	38.00	77-11/16"	10.16	64.80	77-5/16"	12.80	81.00
80"	82-5/16"	6.30	43.00	81-11/16"	10.12	68.00	81-4/16"	12.80	86.00
84"	86-3/16"	6.30	44.10	85-10/16"	10.10	71.40	85-3/16"	12.50	87.50
88"	90-2/16"	6.30	46.00	89-8/16"	10.06	74.20	89-2/16"	12.50	92.00
92"	94-1/16"	6.20	48.00	93-7/16"	10.02	77.00	93-1/16"	12.50	96.00
96"	98 "	6.20	49.60	97-7/16"	10.00	80.00			
100"	102 "	6.20	52.60	101-6/16"	9.98	83.20			
104"	105-14/16"	6.10	54.20	105-5/16"	9.92	86.40			
108"	109-14/16"	6.10	56.00	109-4/16"	9.90	89.60			
112"	113-13/16"	6.10	57.00	113-3/16"	9.86	92.40			
116"	117-11/16"	6.10	60.00	117-2/16"	9.82	95.20			
120"	121-11/16"	6.00	61.00						
124"	125-10/16"	6.00	63.00						
128"	129-8/16"	6.00	65.00						
132"	133-8/16"	5.90	67.00						
136"	137-7/16"	5.90	68.60						
140"	141-6/16"	5.90	71.00						
144"	145-5/16"	5.80	72.00						

To calculate cutout for recess opening subtract 0.50" from actual fixture length. Additional dimensions below if necessary.



### Power consumption per Corner type

Based on operation with PSD series of power supplies.

Corner Type	Actual length (AxB)	SO		MO		HO	
		Total wattage	Actual length (AxB)	Total wattage	Actual length (AxB)	Total wattage	
Flat	13-3/4" x 13-3/4"	15.00	13-1/8" x 13-1/8"	21.50	12-1/4" x 12-1/4"	22.50	
Outer	13-1/16" x 13-1/16"	14.50	13" x 13"	21.00	12-1/4" x 12-1/4"	22.50	
Inner	10-11/16" x 10-11/16"	13.00	10-11/16" x 10-11/16"	20.00	10-11/16" x 10-11/16"	22.50	

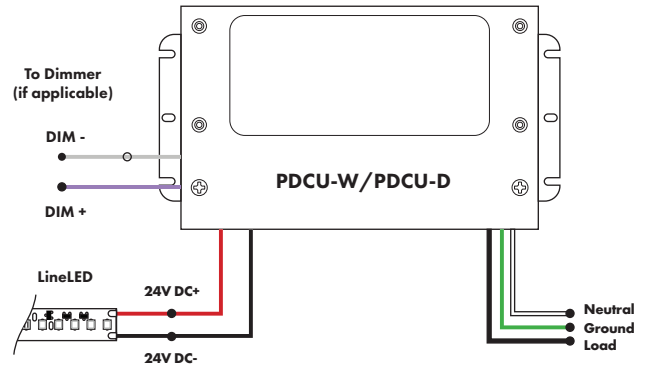
**Power Supply**

See fixture and power supply instructions & spec sheet for wiring information. Dimming possible in select models - view Luminii website for list of compatible dimmers.

**Universal Power Supply**

MODEL	POWER	OUTPUT
<b>PDCU-W</b>	<b>96</b>	<b>24</b>
PDCU-W - IP66 Wet Series	96 - 96 W 3X96 - 3X96 W	24 - 24 VDC
PDCU-D - IP20 Dry Series	30 - 30 W 60 - 60 W 96 - 96 W 3X96 - 3X96 W	

0-10V - 1% dimming  
MLV/ELV/TRIAC - 1% dimming, consult dimming compatibility chart  
Compatibility:  
View a complete list of compatible dimmers on product page ([Link](#))

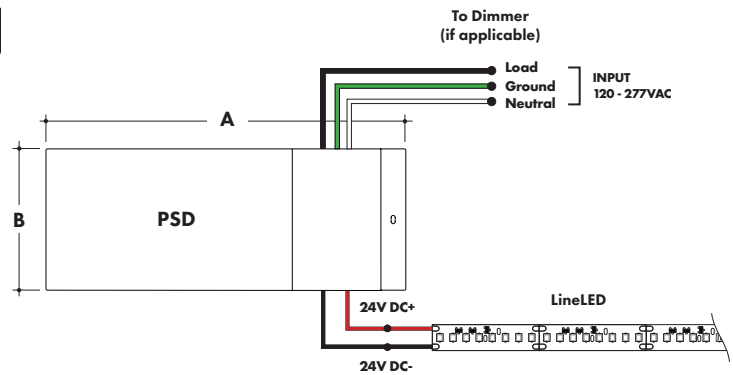


MODELS	PDCU-W 96W	PDCU-W 3X96W	PDCU-D 30W	PDCU-D 60W	PDCU-D 96W	PDCU-D 3X96W
<b>A Length</b>	8.66"	11.85"	6.10"	7.93"	8.25"	9.57"
<b>B Width</b>	3.73"	4.32"	3.35"	3.35"	4.10"	5.94"
<b>Depth</b>	1.61"	1.81"	1.33"	1.32"	1.56"	1.13"

**Magnetic Low Voltage Dimming Power Supplies**

MODEL	POWER	OUTPUT	INPUT
<b>PSD</b>	<b>48</b>	<b>24</b>	
PSD - PSD Series dims down to 0%	48 - 48 Watt 96 - 96 Watt 288 - 288 Watt (3 x 96Watt)	24 - 24 VDC	Blank - 120 V 240 - 240 V 277 - 277 V

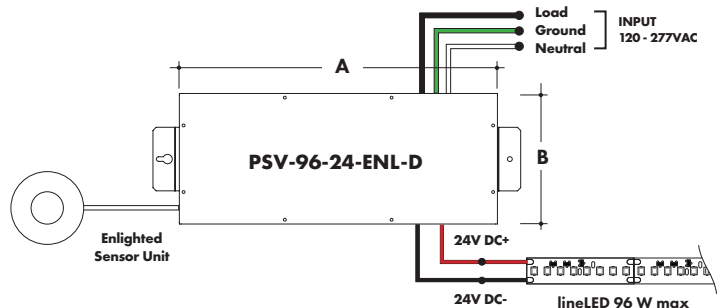
MODELS	48W	96W	288W
<b>A Length</b>	11.25"	11.25"	13.06"
<b>B Width</b>	3.42"	3.42"	8.42"
<b>Depth</b>	3.42"	3.27"	4.47"



**Enlighted Enabled Dimming Power Supplies:**

MODEL	POWER	OUTPUT	DIMMING	LOCATION
<b>PSV</b>	<b>96</b>	<b>24</b>	<b>ENL</b>	<b>D</b>
PSV - PSV Series	96 - 96 Watt	24 - 24 VDC	ENL - Enlighted Dimming	D - Damp

MODELS	96W
<b>A Length</b>	14.40"
<b>B Width</b>	5.20"
<b>Depth</b>	2.60"



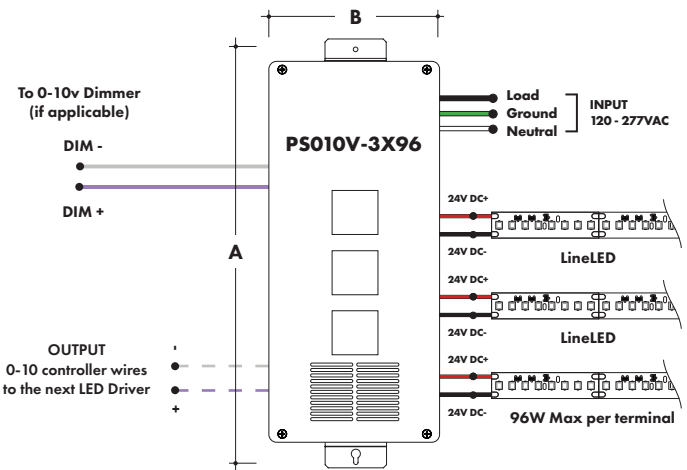
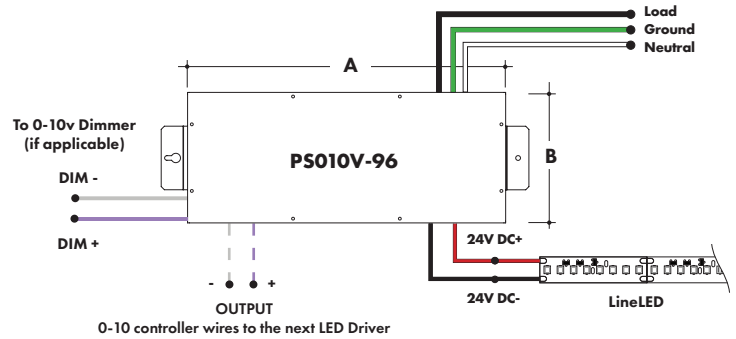
**Power Supply**

See fixture and power supply instructions & spec sheet for wiring information. Dimming possible in select models - view Luminii website for list of compatible dimmers.

**0-10V Dimming Power Supplies**

MODEL	POWER	OUTPUT	DIMMING
<b>PS010V</b>	<b>96</b>	<b>24</b>	<b>LIN</b>
PS010V - 0-10V Power Supply dims down to 0%	96 - 96 Watt 3X96 - 3 X 96 Watt	24 - 24 VDC	LIN - Linear LOG - Logarithmic

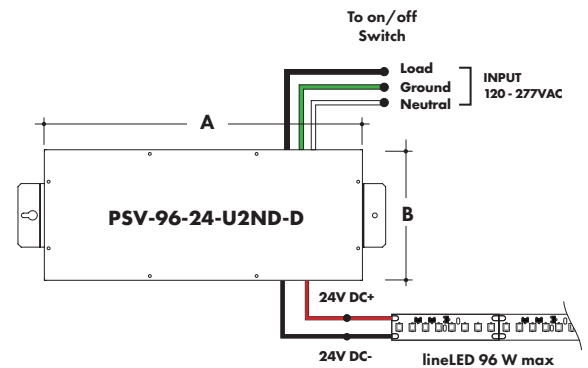
MODELS	96W	3X96
<b>A Length</b>	14.40"	15.75"
<b>B Width</b>	5.20"	6.62"
<b>Depth</b>	2.60"	4.95"



**Non-Dimming Power Supply**

MODEL	POWER	OUTPUT	DIMMING	LOCATION
<b>PSV</b>	<b>96</b>	<b>24</b>	<b>U2ND</b>	<b>D</b>
PSV - PSV Series	96 - 96 Watt	24 - 24 VDC	U2ND - Non Dimming	D - Damp

MODELS	96W
<b>A Length</b>	14.40"
<b>B Width</b>	5.20"
<b>Depth</b>	2.60"



**Power Supply**

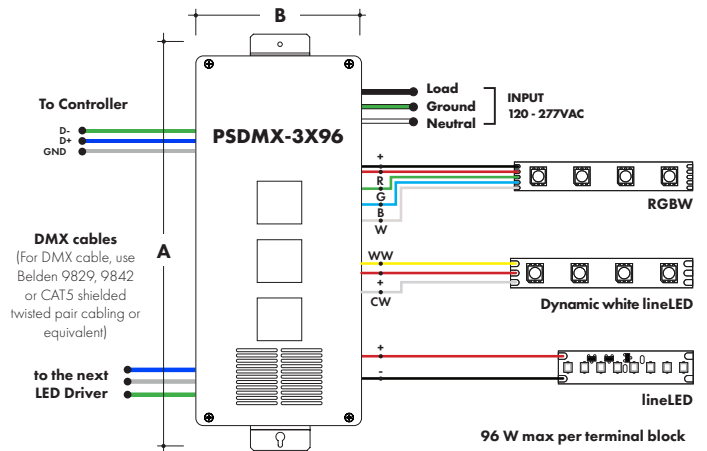
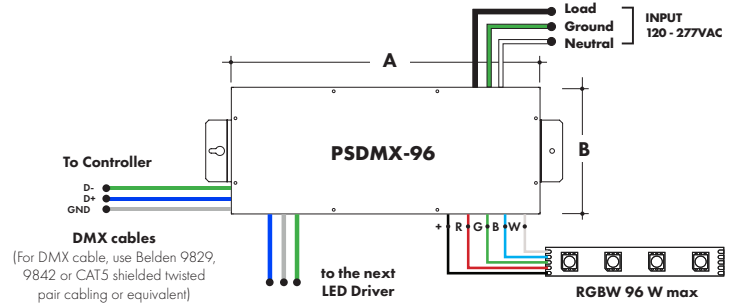
See fixture and power supply instructions & spec sheet for wiring information. Dimming possible in select models - view Luminii website for list of compatible dimmers.

**DMX Dimming Power Supplies**

MODEL	POWER	OUTPUT
<b>PSDMX</b>	<b>96</b>	<b>24</b>
PSDMX - DMX Power Supply	96 - 96 Watt 3X96 - 3 X 96 Watt	24 - 24 VDC

Features eldoLED's LINEARdrive configurable dimmable drivers

MODELS	96W	3X96
<b>A Length</b>	14.40"	15.75"
<b>B Width</b>	5.20"	6.62"
<b>Depth</b>	2.60"	4.95"

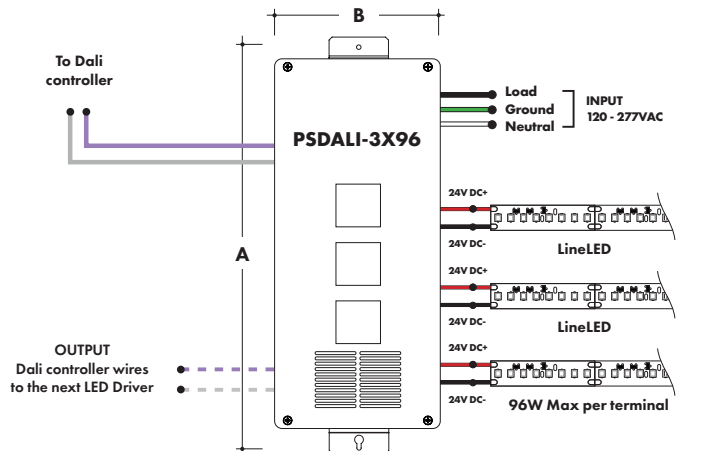
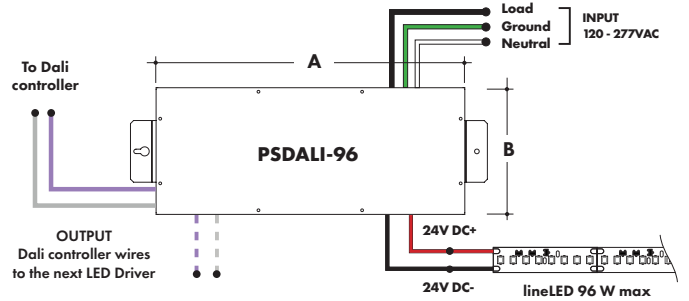


**DALI Dimming Power Supplies**

MODEL	POWER	OUTPUT
<b>PSDALI</b>	<b>96</b>	<b>24</b>
PSDALI - DALI Power Supply	96 - 96 Watt 3X96 - 3 X 96 Watt	24 - 24 VDC dims down to 0%

Features eldoLED's LINEARdrive configurable dimmable drivers

MODELS	96W	3X96
<b>A Length</b>	14.40"	15.75"
<b>B Width</b>	5.20"	6.62"
<b>Depth</b>	2.60"	4.95"





**Power Supply**

See fixture and power supply instructions & spec sheet for wiring information. Dimming possible in select models - view Luminii website for list of compatible dimmers.



Luminii is a Lutron OEM Advantage Partner

MODEL

**LTEA4U1UKL-CV240**

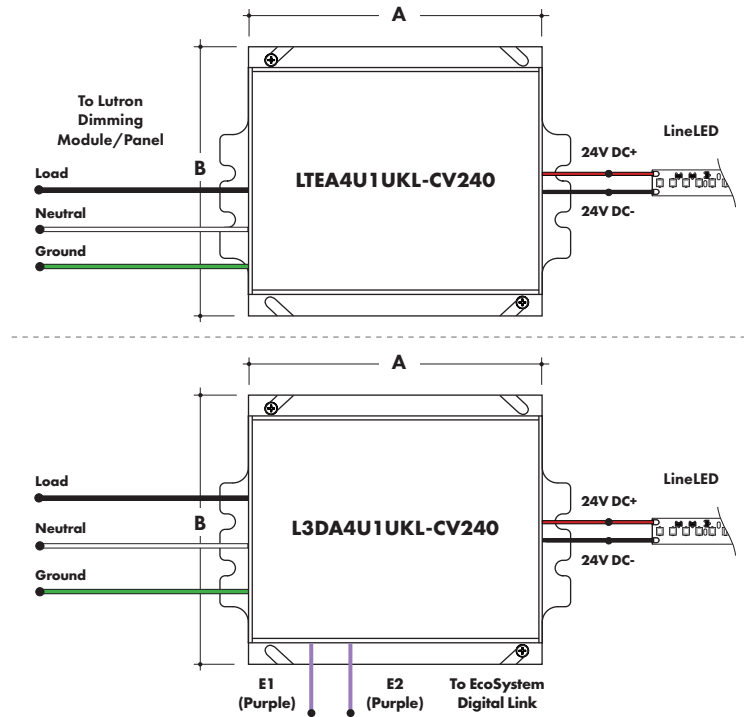
Lutron - HiLume™ 1% 2-wire LED Driver  
(120V forward phase only)

MODEL

**L3DA4U1UKL-CV240**

HiLume™ 1% EcoSystem Voltage LED driver

MODELS	LTEA4U1UKL-CV240	L3DA4U1UKL-CV240
<b>A Length</b>	4.89"	4.98"
<b>B Width</b>	4.00"	4.00"
<b>Depth</b>	2.62"	2.62"



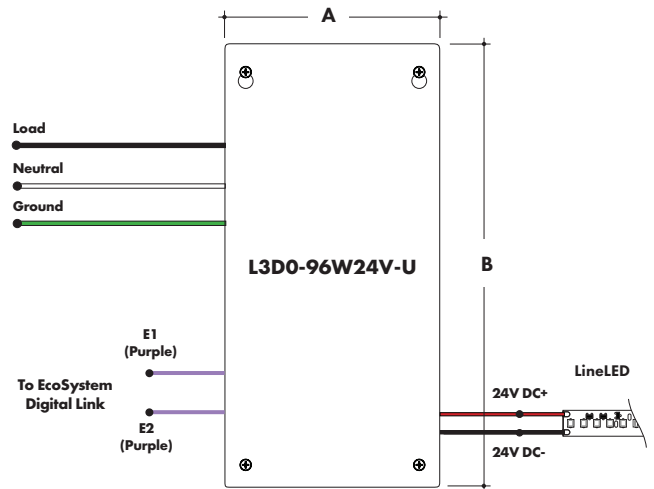
Luminii is a Lutron OEM Advantage Partner

MODEL

**L3D0-96W24V-U**

HiLume™ 0.1% EcoSystem Voltage LED Driver with Soft-On, Fade-to-Black™

MODELS	L3D0
<b>A Length</b>	10.50"
<b>B Width</b>	5.50"
<b>Depth</b>	2.00"



**Power Supply**

See fixture and power supply instructions & spec sheet for wiring information. Dimming possible in select models - view Luminii website for list of compatible dimmers.

**In ground, Electronic Low Voltage Dimming Power Supplies**

MODEL	POWER	OUTPUT	INPUT
<b>IG</b> - CVE	<b>96X2</b>	<b>24</b>	Blank - 120 V 277 - 240/277 V
IG - In ground CVE Series CVE - ELV Dimming DALI - eldoLED Dali dimming Both dims down to 0.1%	96X2 - 2 X 96 Watt	24 - 24 VDC	

MODELS	Dual Circuit
<b>A Length</b>	8.40"
<b>B Width</b>	8.30"
<b>Depth</b>	8.10"

