

Features

- Extruded aluminum linear suspension system utilizing double rows of LEDs
- Includes 8' silver adjustable cable and white finish canopy
- 24VDC Class 2 fixtures made to order up to 144". Fixtures can be linked up to 24' depending on output
- Class 2 listed for damp locations
- Dot free even illumination with frosted lens
- LL72 options offer premium quality and vibrant colors with R9 values up to 97
- HE options offer best in class output and efficacy with over 1600 lm/ft and up to 120 lm/W
- Proprietary strong bond solder method handles up to 50 lbs of pull force on wire leads and connectors
- 5 Year warranty

Finish Options

- Silver anodized
- Bronze powder coated
- Black powder coated
- White powder coated



Technical Information

MODEL	2x LL72 High Color Quality			2x HE48 High Efficacy				2x HE64 High Efficacy
	SO	HO	VHO	LO	SO	MO	HO	SO
Lumens Output (3000K) <small>(with a Clear Lens)</small>	463 lm/ft	753 lm/ft	916 lm/ft	452 lm/ft	626 lm/ft	835 lm/ft	1340 lm/ft	1696 lm/ft
Average Power Consumption <small>(for a 4' section)</small>	5.6 W/ft	9.6 W/ft	12 W/ft	3.8 W/ft	5.6 W/ft	7 W/ft	13 W/ft	15 W/ft
Efficacy	83 lm/W	78 lm/W	76 lm/W	119 lm/W	112 lm/W	119 lm/W	103 lm/W	113 lm/W
Max Run Length <small>(in series)</small>	20 ft	16 ft	9 ft	24 ft	21 ft	17 ft	8 ft	6 ft

LL72

CCT	Multiplier <small>(reference - 3000K)</small>	TM-30			
		CRI	R _f	R _g	R ₉
1900K	0.55	96	94	97	90
2200K	0.70	96	95	101	89
2400K	0.72	98	97	101	91
2700K	0.74	97	96	101	91
3000K	1.00	97	95	104	97
3500K	1.02	97	94	105	97
4100K	1.07	97	90	99	97

HE48/HE64

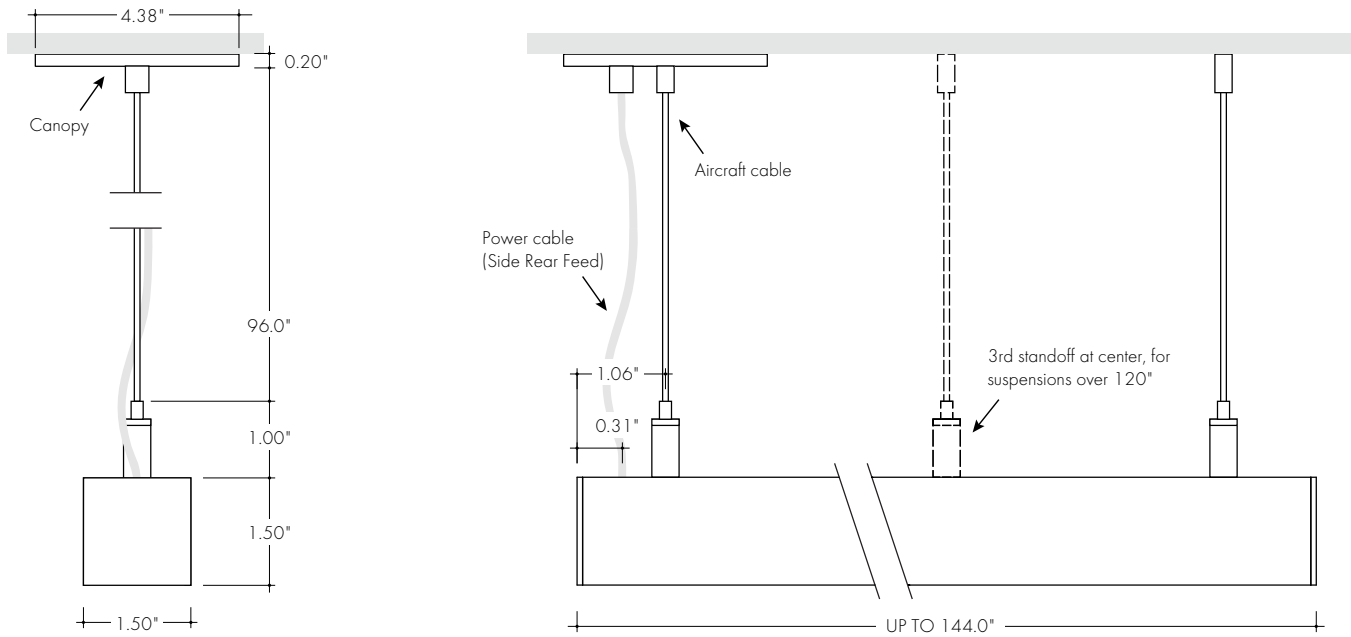
CCT	Multiplier <small>(reference - 3000K)</small>	TM-30			
		CRI	R _f	R _g	R ₉
2700K	0.94	92	90	99	58
3000K	1.02	92	89	99	57
3500K	1.02	92	89	99	60
4000K	1.02	92	86	94	71

Ordering Code

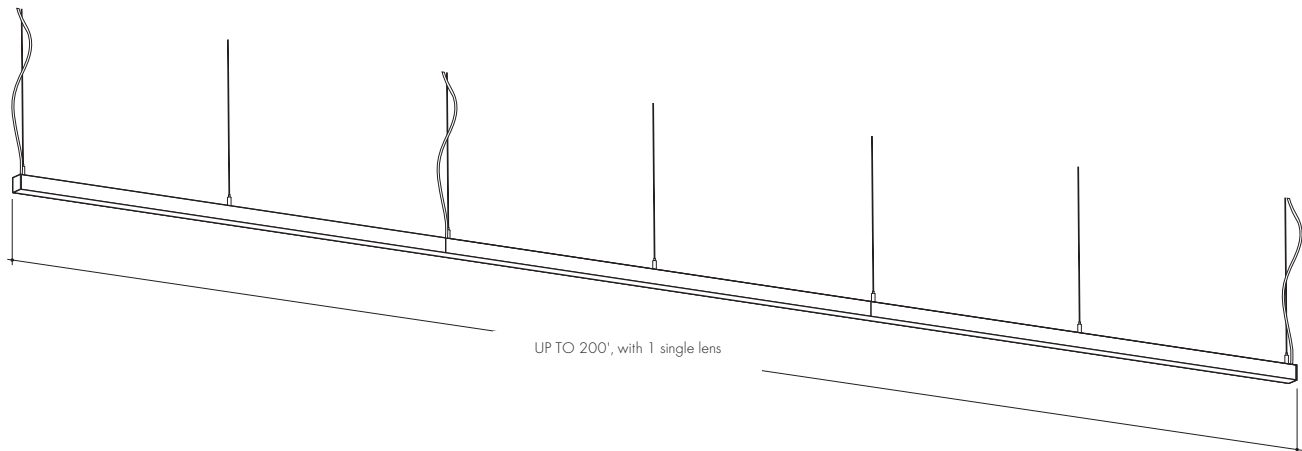
MODEL	LENGTH ¹	OUTPUT	CCT	LENS ²	FINISH ⁴	LEFT END	RIGHT END	POWER FEED
KILOS - Kilo Suspended	12"-144" 1" increments	LL72SO - Standard LL72HO - High LL72VHO - Very High	19K - 1900K 22K - 2200K 24K - 2400K 27K - 2700K 30K - 3000K 35K - 3500K 41K - 4100K	CC - Clear Lens FF - Frosted N - No Lens ³	SA - Silver BK - Black BZ - Bronze WH - White	LE - With End Cap LN - Without End Cap	RE - With End Cap RN - Without End Cap	SF - Side Rear Feed
	12"-144" 2" increments	HE48LO - Low HE48SO - Standard HE48MO - Medium HE48HO - High HE64SO - Standard	27K - 2700K 30K - 3000K 35K - 3500K 40K - 4000K					

1 - Custom lengths and increments are available, please consult Inside Sales for specific needs.
 2 - All HE48 and HE64 options can be used to comply with Title 24 JAB. LL72 options can be used to comply with Title 24 JAB depending on Output, CCT, and Lens selections, see multiplier charts to calculate specific efficacies.
 3 - Continuous Lens may be ordered separately for multi-fixture runs to create an even, seamless appearance.
 4 - BK, BZ, and WH finishes may have extended lead times. Custom RALs are available, please consult Inside Sales for specific needs.

Product Dimensions

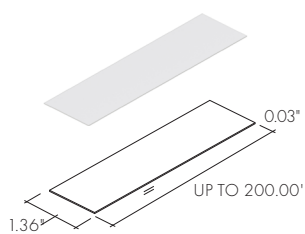


Continuous Roll Lens Length Overview

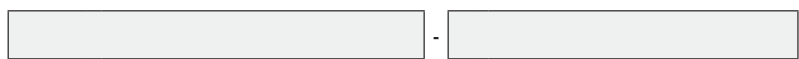


Accessories

Continuous Lens (Field Cuttable)



Lens



KILOC-FF - Kilo Channel Continuous Frosted Lens
KILOC-CC - Kilo Channel Continuous Clear Lens

XX - Order in 10' increments up to 200'

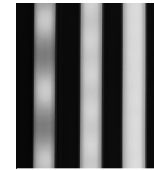
Lens Option / Light Transmission

Light Transmission

Lens/Accessory	Transmission Percentage
Clear Lens	100%
Frosted Lens	88%

LED Dotting Per Output/Lens

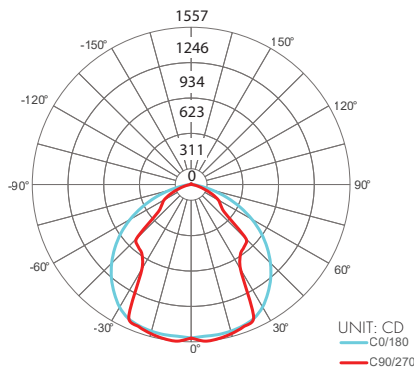
Output Type	Lens Type	
	Clear	Frosted
LL72SO	CD	ND
LL72HO	CD	ND
LL72VHO	CD	ND
HE48LO	CD	ND
HE48SO	CD	ND
HE48MO	CD	ND
HE48HO	CD	ND
HE64SO	CD	ND



CD - Clear Dotting
SD - Slight Dotting
ND - No Dotting

Photometry

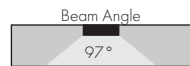
KiloS-48-30K-LL72VHO-C
Kilo S, 4ft, 3000K, VHO, Clear Lens



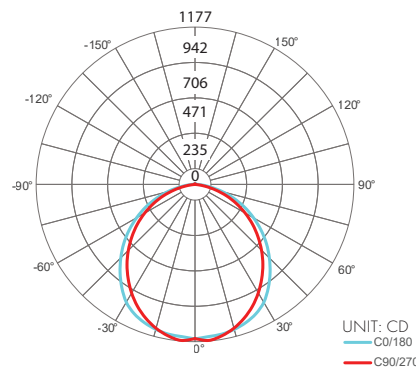
Zonal Lumen Summary 3000K

Zone	Lumen	% Fixture
0-30	1224	33.4%
0-40	1930	52.7%
0-60	3125	85.3%
0-90	3635	99.2%
0-180	3664	100%

Total



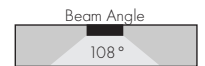
KiloS-48-30K-LL72VHO-F
Kilo S, 4ft, 3000K, VHO, Frosted Lens



Zonal Lumen Summary 3000K

Zone	Lumen	% Fixture
0-30	895	27.8%
0-40	1459	45.3%
0-60	2552	79.2%
0-90	3196	99.2%
0-180	3223	100%

Total



Power Consumption

Tested at full power with PSD Series power supplies.

Standard Nominal Lengths offered provide minimal shadowing. For alternate lengths, please contact factory with specific request.

2x LL72

Nominal Length (in)	Actual Length	Watts			Nominal Length (in)	Actual Length	Watts			Nominal Length (in)	Actual Length	Watts			Nominal Length (in)	Actual Length	Watts		
		SO	HO	VHO			SO	HO	VHO			SO	HO	VHO			SO	HO	VHO
12	11 1/16	5.3	8.7	12.4	47	47	20.9	34.9	46.1	82	81 11/16	36.6	59.0	76.8	117	116 7/16	51.7	81.6	-
13	12 4/16	5.3	8.7	12.4	48	-	-	-	-	83	82 14/16	37.0	59.6	77.6	118	117 10/16	52.2	82.3	-
14	13 6/16	5.8	9.6	13.5	49	48 2/16	21.3	35.6	47.1	84	-	-	-	-	119	118 12/16	52.6	82.9	-
15	14 9/16	6.3	10.4	14.5	50	49 5/16	22.3	37.1	48.9	85	84 1/16	37.5	60.2	78.4	120	119 15/16	53.0	83.5	-
16	15 11/16	6.8	11.2	15.6	51	50 7/16	22.8	37.9	49.7	86	85 3/16	38.4	61.6	80.0	121	-	-	-	-
17	16 14/16	7.3	12.1	16.7	52	51 10/16	23.2	38.7	50.6	87	86 6/16	38.8	62.3	80.7	122	121 1/16	53.5	84.1	-
18	-	-	-	-	53	52 12/16	23.7	39.4	51.4	88	87 8/16	39.3	63.0	81.5	123	122 4/16	54.3	85.2	-
19	18	7.7	12.9	17.7	54	53 15/16	24.2	40.2	52.3	89	88 11/16	39.8	63.7	82.3	124	123 6/16	54.7	85.7	-
20	19 3/16	8.7	14.6	19.9	55	-	-	-	-	90	89 13/16	40.2	64.3	83.0	125	124 9/16	55.1	86.2	-
21	20 6/16	9.2	15.4	20.9	56	55 1/16	24.7	41.0	53.1	91	91	40.7	65.0	83.8	126	125 11/16	55.5	86.8	-
22	21 8/16	9.7	16.3	22.0	57	56 4/16	25.7	42.5	54.8	92	-	-	-	-	127	126 14/16	55.9	87.3	-
23	22 11/16	10.2	17.1	23.1	58	57 6/16	26.1	43.3	55.7	93	92 2/16	41.2	65.7	84.6	128	-	-	-	-
24	23 13/16	10.7	17.9	24.1	59	58 9/16	26.6	44.1	56.5	94	93 5/16	42.1	67.1	86.1	129	128 1/16	56.3	87.9	-
25	25	11.1	18.8	25.2	60	59 11/16	27.1	44.8	57.4	95	94 7/16	42.6	67.8	86.9	130	129 3/16	57.1	88.9	-
26	-	-	-	-	61	60 14/16	27.6	45.6	58.2	96	95 10/16	43.1	68.5	87.6	131	130 6/16	57.4	89.5	-
27	26 2/16	11.6	19.5	26.2	62	-	-	-	-	97	96 12/16	43.5	69.2	88.4	132	131 8/16	57.8	90.0	-
28	27 5/16	12.5	21.0	28.1	63	62	28.0	46.3	59.1	98	97 15/16	43.9	69.8	89.2	133	132 11/16	58.2	90.6	-
29	28 7/16	12.9	21.7	29.1	64	63 3/16	28.9	47.5	61.0	99	-	-	-	-	134	133 13/16	58.6	91.0	-
30	29 10/16	13.3	22.5	30.0	65	64 6/16	29.3	48.2	61.9	100	99 1/16	44.3	70.5	90.1	135	135	58.9	91.4	-
31	30 12/16	13.8	23.2	31.0	66	65 8/16	29.8	48.8	62.9	101	100 4/16	45.1	71.7	91.7	136	-	-	-	-
32	31 15/16	14.2	23.9	32.0	67	66 11/16	30.2	49.4	63.8	102	101 6/16	45.5	72.3	92.6	137	136 2/16	59.3	91.8	-
33	-	-	-	-	68	67 13/16	30.7	50.1	64.7	103	102 9/16	45.9	73.0	93.4	138	137 5/16	60.0	92.7	-
34	33 1/16	14.7	24.7	32.9	69	69	31.1	50.7	65.7	104	103 11/16	46.3	73.6	94.2	139	138 7/16	60.3	93.1	-
35	34 4/16	15.6	26.2	34.9	70	-	-	-	-	105	104 14/16	46.6	74.2	95.1	140	139 10/16	60.7	93.5	-
36	35 6/16	16.0	26.9	35.8	71	70 2/16	31.5	51.3	66.6	106	-	-	-	-	141	140 12/16	61.0	93.9	-
37	36 9/16	16.4	27.6	36.8	72	71 5/16	32.4	52.6	68.5	107	106 1/16	47.0	74.9	95.9	142	141 15/16	61.4	94.3	-
38	37 11/16	16.9	28.4	37.7	73	72 7/16	32.8	53.3	69.4	108	107 3/16	47.8	76.1	-	143	-	-	-	-
39	38 14/16	17.3	29.1	38.7	74	73 10/16	33.3	53.9	70.2	109	108 6/16	48.2	76.8	-	144	143 1/16	61.7	94.8	-
40	-	-	-	-	75	74 12/16	33.7	54.5	71.0	110	109 8/16	48.6	77.4	-	-	-	-	-	-
41	40	17.8	29.8	39.6	76	75 15/16	34.1	55.2	71.9	111	110 11/16	49.1	78.0	-	-	-	-	-	-
42	41 3/16	18.7	31.3	41.5	77	-	-	-	-	112	111 13/16	49.5	78.6	-	-	-	-	-	-
43	42 6/16	19.1	32.0	42.4	78	77 1/16	34.5	55.8	72.7	113	113	50.0	79.2	-	-	-	-	-	-
44	43 8/16	19.6	32.7	43.3	79	78 4/16	35.4	57.1	74.3	114	-	-	-	-	-	-	-	-	-
45	44 11/16	20.0	33.4	44.3	80	79 6/16	35.8	57.7	75.1	115	114 2/16	50.4	79.8	-	-	-	-	-	-
46	45 13/16	20.5	34.2	45.2	81	80 9/16	36.2	58.3	75.9	116	115 5/16	51.3	81.0	-	-	-	-	-	-

Power Consumption

Tested at full power with PSD Series power supplies.

Standard Nominal Lengths offered provide minimal shadowing. For alternate lengths, please contact factory with specific request.

2x HE48

Nominal Length (in)	Actual Length	Watts				Nominal Length (in)	Actual Length	Watts				Nominal Length (in)	Actual Length	Watts				Nominal Length (in)	Actual Length	Watts			
		LO	SO	MO	HO			LO	SO	MO	HO			LO	SO	MO	HO			LO	SO	MO	HO
12	10 8/16	3.4	5.0	6.9	11.4	47	-	-	-	-	82	81 6/16	25.0	39.7	47.8	84.5	117	116 13/16	35.1	55.4	68.6	-	
13	12 8/16	3.4	5.0	6.9	11.4	48	47 14/16	14.2	22.3	27.8	50.9	83	-	-	-	-	118	-	-	-	-	-	
14	-	-	-	-	-	49	-	-	-	-	84	83 5/16	25.5	40.7	49.0	86.3	119	118 12/16	35.6	56.3	69.8	-	
15	14 7/16	4.1	5.9	8.1	14.4	50	49 14/16	14.7	23.4	29.0	52.7	85	-	-	-	-	120	-	-	-	-	-	
16	-	-	-	-	-	51	-	-	-	-	86	85 5/16	26.1	41.6	50.2	88.1	121	120 12/16	36.2	57.2	71.0	-	
17	16 7/16	4.7	6.9	9.3	17.4	52	51 13/16	15.4	24.6	30.2	54.8	87	-	-	-	-	122	-	-	-	-	-	
18	-	-	-	-	-	53	-	-	-	-	88	87 4/16	26.7	42.5	51.4	90.1	123	122 11/16	36.5	58.1	72.1	-	
19	18 6/16	5.4	7.9	10.4	20.4	54	53 13/16	16.1	25.7	31.5	56.9	89	-	-	-	-	124	-	-	-	-	-	
20	-	-	-	-	-	55	-	-	-	-	90	89 4/16	27.3	43.4	52.7	92.0	125	124 11/16	36.9	58.9	73.2	-	
21	20 6/16	6.1	8.9	11.6	23.4	56	55 12/16	16.7	26.9	32.7	59.0	91	-	-	-	-	126	-	-	-	-	-	
22	-	-	-	-	-	57	-	-	-	-	92	91 3/16	27.9	44.3	53.9	94.0	127	126 10/16	37.2	59.8	74.3	-	
23	22 5/16	6.7	9.8	12.8	26.4	58	57 12/16	17.4	28.1	34.0	61.1	93	-	-	-	-	128	-	-	-	-	-	
24	-	-	-	-	-	59	-	-	-	-	94	93 3/16	28.5	45.2	55.1	95.9	129	128 10/16	37.5	60.7	75.5	-	
25	24 5/16	7.4	10.8	13.9	29.4	60	59 11/16	18.1	29.3	35.2	63.2	95	-	-	-	-	130	-	-	-	-	-	
26	-	-	-	-	-	61	-	-	-	-	96	95 2/16	28.8	45.6	55.7	-	131	130 9/16	37.9	61.6	76.6	-	
27	26 4/16	8.1	11.8	15.1	31.5	62	61 11/16	18.7	30.3	36.4	65.3	97	-	-	-	-	132	-	-	-	-	-	
28	-	-	-	-	-	63	-	-	-	-	98	97 2/16	29.4	46.5	56.9	-	133	132 9/16	38.2	62.5	77.7	-	
29	28 4/16	8.9	12.8	16.2	33.7	64	63 10/16	19.4	31.2	37.4	67.3	99	-	-	-	-	134	-	-	-	-	-	
30	-	-	-	-	-	65	-	-	-	-	100	99 1/16	30.0	47.4	58.0	-	135	134 8/16	38.6	63.5	78.9	-	
31	30 3/16	9.6	13.8	17.4	35.8	66	65 10/16	20.1	32.1	38.5	69.4	101	-	-	-	-	136	-	-	-	-	-	
32	-	-	-	-	-	67	-	-	-	-	102	101 1/16	30.5	48.3	59.2	-	137	136 8/16	39.1	64.6	80.0	-	
33	32 2/16	10.0	14.3	18.0	36.9	68	67 9/16	20.7	33.0	39.6	71.4	103	-	-	-	-	138	-	-	-	-	-	
34	-	-	-	-	-	69	-	-	-	-	104	103	31.1	49.2	60.3	-	139	138 7/16	39.5	65.6	81.1	-	
35	34 2/16	10.7	15.4	19.2	39.1	70	69 9/16	21.4	33.9	40.6	73.4	105	105	31.7	50.1	61.5	-	140	-	-	-	-	-
36	-	-	-	-	-	71	-	-	-	-	106	-	-	-	-	-	141	140 7/16	39.9	66.7	82.3	-	
37	36 1/16	11.4	16.4	20.3	41.2	72	71 8/16	22.1	34.8	41.7	75.5	107	106 15/16	32.2	51.0	62.6	-	142	-	-	-	-	-
38	-	-	-	-	-	73	-	-	-	-	108	-	-	-	-	-	143	142 6/16	40.4	67.7	83.4	-	
39	38 1/16	12.0	17.4	21.5	43.1	74	73 8/16	22.7	35.8	42.8	77.4	109	108 15/16	32.8	51.9	63.7	-	144	-	-	-	-	-
40	-	-	-	-	-	75	-	-	-	-	110	-	-	-	-	-	-	-	-	-	-	-	-
41	40	12.5	18.4	22.8	44.6	76	75 7/16	23.3	36.8	44.1	79.2	111	110 14/16	33.4	52.8	64.9	-	-	-	-	-	-	-
42	42	12.9	19.3	24.0	46.2	77	-	-	-	-	112	-	-	-	-	-	-	-	-	-	-	-	-
43	-	-	-	-	-	78	77 7/16	23.8	37.7	45.3	80.9	113	112 14/16	33.9	53.6	66.1	-	-	-	-	-	-	-
44	43 15/16	13.3	20.3	25.3	47.7	79	-	-	-	-	114	-	-	-	-	-	-	-	-	-	-	-	-
45	-	-	-	-	-	80	79 6/16	24.4	38.7	46.5	82.7	115	114 13/16	34.5	54.5	67.3	-	-	-	-	-	-	-
46	45 15/16	13.8	21.3	26.5	49.3	81	-	-	-	-	116	-	-	-	-	-	-	-	-	-	-	-	-

Power Consumption

Tested at full power with PSD Series power supplies.

Standard Nominal Lengths offered provide minimal shadowing. For alternate lengths, please contact factory with specific request.

2x HE64

Nominal Length (in)	Actual Length	Watts	Nominal Length (in)	Actual Length	Watts	Nominal Length (in)	Actual Length	Watts	Nominal Length (in)	Actual Length	Watts
		SO			SO			SO			SO
12	11 4/16	15.2	47	46 1/16	56.5	82	—	—	117	—	—
13	12 12/16	15.2	48	47 10/16	59.0	83	82 7/16	—	118	117 4/16	—
14	—	—	49	—	—	84	83 15/16	—	119	118 12/16	—
15	14 5/16	17.7	50	49 2/16	60.2	85	—	—	120	—	—
16	15 13/16	19.0	51	50 10/16	62.8	86	85 7/16	—	121	120 5/16	—
17	—	—	52	—	—	87	87	—	122	121 13/16	—
18	17 5/16	21.5	53	52 2/16	64.1	88	—	—	123	—	—
19	18 13/16	22.7	54	53 11/16	66.6	89	88 8/16	—	124	123 5/16	—
20	—	—	55	—	—	90	90	—	125	124 13/16	—
21	20 6/16	25.2	56	55 3/16	67.9	91	—	—	126	—	—
22	21 14/16	26.5	57	56 11/16	70.5	92	91 8/16	—	127	126 5/16	—
23	—	—	58	—	—	93	—	—	128	127 14/16	—
24	23 6/16	29.0	59	58 3/16	73.0	94	93	—	129	—	—
25	24 14/16	30.2	60	59 11/16	74.3	95	94 9/16	—	130	129 6/16	—
26	—	—	61	—	—	96	—	—	131	130 14/16	—
27	26 6/16	32.7	62	61 4/16	76.9	97	96 1/16	—	132	—	—
28	27 15/16	34.0	63	62 12/16	78.2	98	97 9/16	—	133	132 6/16	—
29	—	—	64	—	—	99	—	—	134	133 15/16	—
30	29 7/16	36.5	65	64 4/16	80.7	100	99 1/16	—	135	—	—
31	30 15/16	37.7	66	65 12/16	82.0	101	100 10/16	—	136	135 7/16	—
32	—	—	67	—	—	102	—	—	137	136 15/16	—
33	32 7/16	40.2	68	67 5/16	84.6	103	102 2/16	—	138	—	—
34	34	41.5	69	68 13/16	85.9	104	103 10/16	—	139	138 7/16	—
35	—	—	70	—	—	105	—	—	140	140	—
36	35 8/16	44.0	71	70 5/16	88.4	106	105 2/16	—	141	—	—
37	—	—	72	71 13/16	89.7	107	106 11/16	—	142	141 8/16	—
38	37	45.2	73	—	—	108	—	—	143	143	—
39	38 8/16	47.7	74	73 5/16	92.2	109	108 3/16	—	144	—	—
40	—	—	75	74 14/16	93.5	110	109 11/16	—	—	—	—
41	40	49.0	76	—	—	111	—	—	—	—	—
42	41 9/16	51.5	77	76 6/16	95.9	112	111 3/16	—	—	—	—
43	—	—	78	77 14/16	—	113	112 11/16	—	—	—	—
44	43 1/16	52.7	79	—	—	114	—	—	—	—	—
45	44 9/16	55.2	80	79 6/16	—	115	114 4/16	—	—	—	—
46	—	—	81	80 15/16	—	116	115 12/16	—	—	—	—

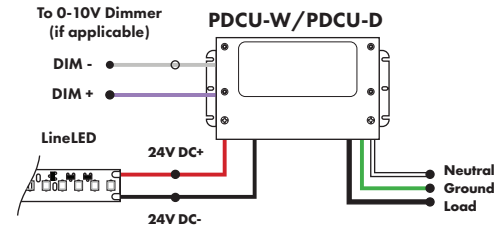
Power Supplies

See Power Supply instructions and spec sheet for wiring information. For a complete list of compatible dimmers, see Compatible Dimming Chart on the Resources page.

Universal Power Supply 1% 120VAC - 277VAC

MODEL	POWER	OUTPUT
PDCU-D - IP20 Dry Series	30 - 30 W 60 - 60 W 96 - 96 W 3X96 - 3X96 W	24 - 24 VDC
PDCU-W - IP66 Wet Series	96 - 96 W 3X96 - 3X96 W	

0-10V dims down to 1%, MLV/ELV/TRIAC dims down to 1%.
For a complete list of compatible dimmers, see [Compatible Dimming Chart](#) on the Resources page.

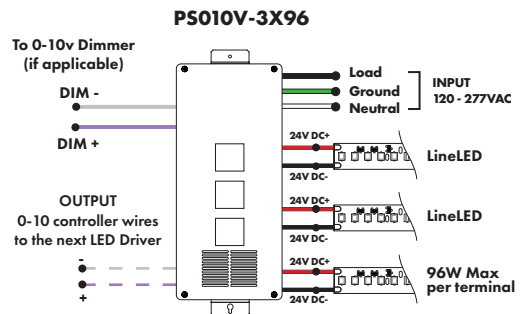
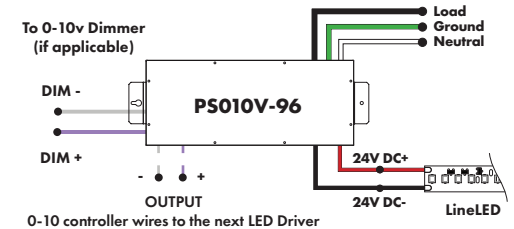


MODELS	PDCU-W 96W	PDCU-W 3X96W	PDCU-D 30W	PDCU-D 60W	PDCU-D 96W	PDCU-D 3X96W
Length	8.66"	11.85"	6.10"	7.93"	8.25"	9.57"
Width	3.73"	4.32"	3.35"	3.35"	4.10"	5.94"
Depth	1.61"	1.81"	1.33"	1.32"	1.56"	1.13"

0-10V Dimming Power Supplies 0.1% 120VAC - 277VAC

MODEL	POWER	OUTPUT	DIMMING
PS010V - 0-10V Power Supply dims down to 0.1%	96 - 96 Watt 3X96 - 3 X 96 Watt	24 - 24 VDC	LIN - Linear LOG - Logarithmic

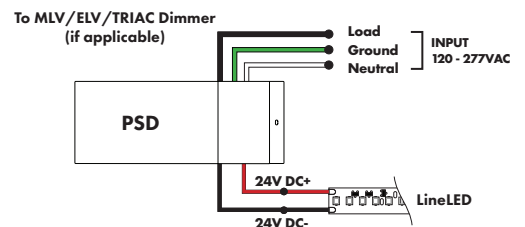
MODELS	96W	3X96
Length	14.40"	15.75"
Width	5.20"	6.62"
Depth	2.60"	4.95"



Magnetic Low Voltage Dimming Power Supplies

MODEL	POWER	OUTPUT	INPUT
PSD - PSD Series dims down to 0%	48 - 48 Watt 96 - 96 Watt 288 - 288 Watt (3 x 96Watt)	24 - 24 VDC	Blank - 120 V 240 - 240 V 277 - 277 V

MODELS	48W	96W	288W
Length	11.25"	11.25"	13.06"
Width	3.42"	3.42"	8.42"
Depth	3.42"	3.27"	4.47"



Power Supplies

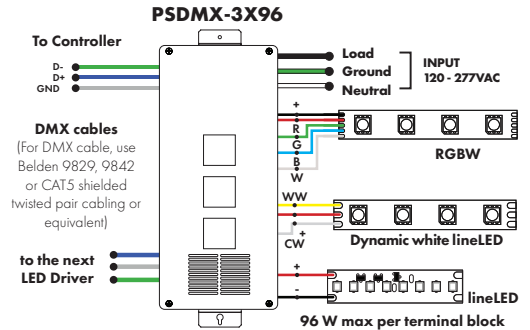
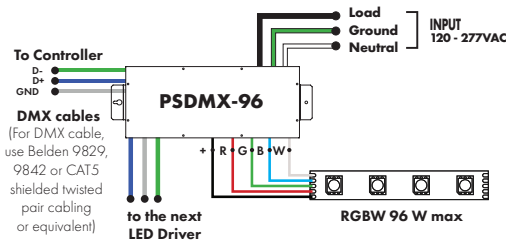
See Power Supply instructions and spec sheet for wiring information. For a complete list of compatible dimmers, see Compatible Dimming Chart on the Resources page.

DMX Dimming Power Supplies 120VAC - 277VAC

MODEL	POWER	OUTPUT
PSDMX - DMX Power Supply dims down to 0%	96 - 96 Watt 3X96 - 3 X 96 Watt	24 - 24 VDC

Features eldoLED's LINEARdrive configurable dimmable drivers

MODELS	96W	3X96
Length	14.40"	15.75"
Width	5.20"	6.62"
Depth	2.60"	4.95"

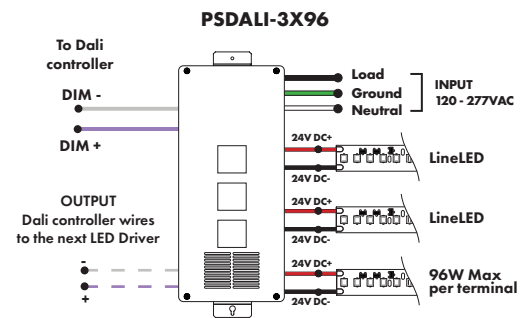
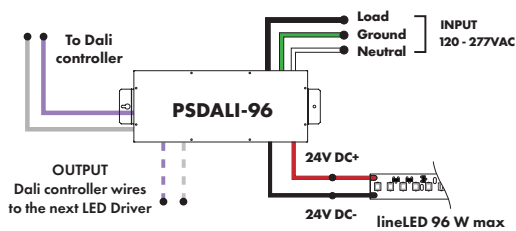


DALI 0% Dimming Power Supplies 120VAC - 277VAC

MODEL	POWER	OUTPUT
PSDALI - DALI Power Supply dims down to 0%	96 - 96 Watt 3X96 - 3 X 96 Watt	24 - 24 VDC

Features eldoLED's LINEARdrive configurable dimmable drivers

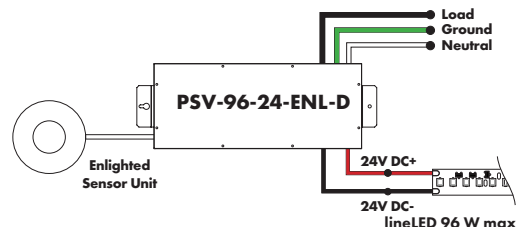
Model	96W	3X96
Length	14.40"	15.75"
Width	5.20"	6.62"
Depth	2.60"	4.95"



Enlighted Enabled Dimming Power Supplies 120VAC - 277VAC

MODEL	POWER	OUTPUT	DIMMING	LOCATION
PSV - PSV Series	96 - 96 Watt	24 - 24 VDC	ENL - Enlighted Dimming dims down to 0%	D - Damp

Model	96W
Length	14.40"
Width	5.20"
Depth	2.60"



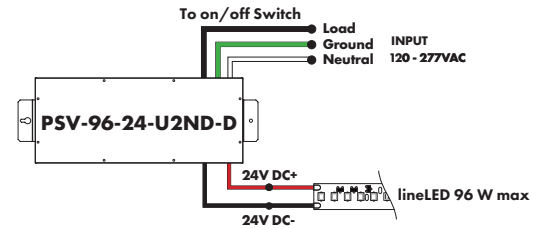
Power Supplies

See Power Supply instructions and spec sheet for wiring information. For a complete list of compatible dimmers, see Compatible Dimming Chart on the Resources page.

Non-Dimming Power Supply 120VAC - 277VAC

MODEL	POWER	OUTPUT	DIMMING	LOCATION
PSV - PSV Series	96 - 96 Watt	24 - 24 VDC	U2ND - Non Dimming	D - Damp

MODELS	96W
Length	14.40"
Width	5.20"
Depth	2.60"

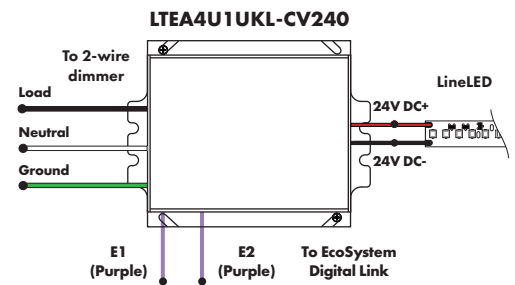
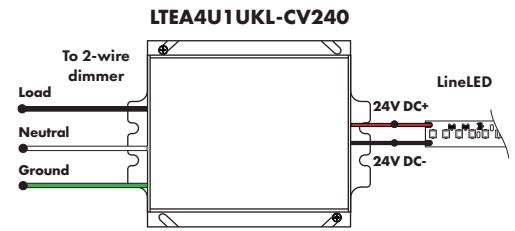


Luminii is a Lutron OEM Advantage Partner

Lutron Power Supplies 1%

MODEL	MODEL
LTEA4U1UKL-CV240	L3DA4U1UKL-CV240
Lutron - HiLume™ 1% 2-wire LED Driver 40W max (120V forward phase only)	HiLume™ 1% EcoSystem Voltage LED driver 40W max

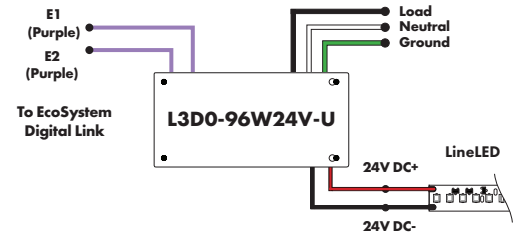
MODELS	LTEA4U1UKL-CV240	L3DA4U1UKL-CV240
Length	4.89"	4.98"
Width	4.00"	4.00"
Depth	2.62"	2.62"



Luminii is a Lutron OEM Advantage Partner

Lutron Power Supplies 0.1%

MODEL	MODELS	L3D0
L3D0-96W24V-U	Length	10.50"
HiLume™ 0.1% EcoSystem Voltage LED Driver with Soft-On, Fade-to-Black™ 96W max	Width	5.50"
	Depth	2.00"



In-Ground Power Supplies

MODEL	POWER	OUTPUT	INPUT
IG - In ground CVE Series	CVE - ELV Dimming DALI - eidoLED Dali dimming Both dims down to 0%	96X2 - 2 X 96 Watt	Blank - 120 V 277 - 240/277 V

MODELS	Dual Circuit
Length	8.40"
Width	8.30"
Depth	8.10"

