

Features

- Extruded aluminum linear suspension fixture utilizing double rows of LEDs with Power Over Aircraft cable.
- Includes 8' silver adjustable cable and two white finish canopies
- Requires two junction boxes for split output connection
- 24VDC Class 2 fixtures made to order up to 120"
- Class 2 listed for damp locations
- Dot free even illumination with frosted lens
- High Color Quality options offer premium quality and vibrant colors with R9 values up to 97.
- High Efficacy options offer best in class output and efficacy with over 1600 lm/ft and up to 115 lm/W
- Proprietary strong bond solder method handles up to 50 lbs of pull force on wire leads and connectors
- 5 Year warranty

Finish Options

- Silver anodized
- Bronze powder coated
- Black powder coated
- White powder coated



Technical Information

TYPE	High Color Quality			High Efficacy				High Efficacy
OUTPUT OPTIONS	2x 7250	2x 72HO	2x 72VHO	2x HE48LO	2x HE48SO	2x HE48MO	2x HE48HO	2x HE64VHO
Lumens Output (3000K) <small>(with a Clear Lens)</small>	463 lm/ft	753 lm/ft	916 lm/ft	452 lm/ft	626 lm/ft	835 lm/ft	1340 lm/ft	1696 lm/ft
Average Power Consumption <small>(for a 4' section)</small>	5.6 W/ft	9.6 W/ft	12 W/ft	3.8 W/ft	5.6 W/ft	7 W/ft	13 W/ft	15 W/ft
Efficacy	83 lm/W	78 lm/W	76 lm/W	119 lm/W	112 lm/W	119 lm/W	103 lm/W	113 lm/W
Max Run Length <small>(in series)</small>	20 ft	16 ft	7 ft	24 ft	21ft	17 ft	8 ft	7 ft

High Color Quality (72)

CCT	Multiplier <small>(reference - 3000K)</small>	TM-30			
		CRI	R _f	R _g	R ₉
1900K	0.55	96	94	97	90
2200K	0.70	96	95	101	89
2400K	0.72	98	97	101	91
2700K	0.74	97	96	101	91
3000K	1.00	97	95	104	97
3500K	1.02	97	94	105	97
4100K	1.07	97	90	99	97

High Efficacy (HE48/HE64)

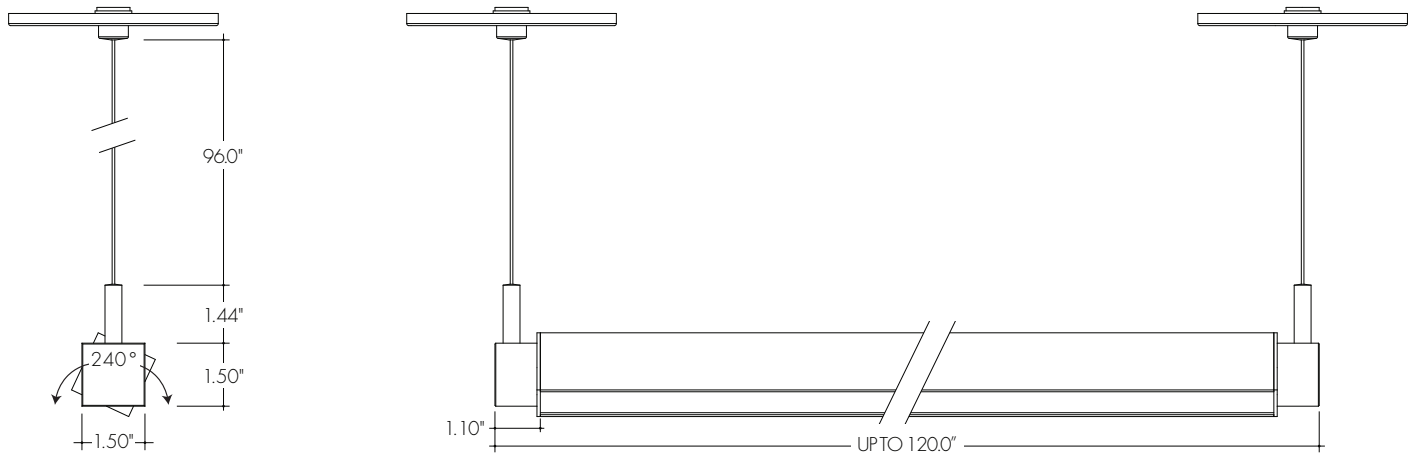
CCT	Multiplier <small>(reference - 3000K)</small>	TM-30			
		CRI	R _f	R _g	R ₉
2700K	0.94	92	90	99	58
3000K	1.00	92	89	99	57
3500K	1.02	92	89	99	60
4000K	1.02	92	86	94	71

Ordering Code

MODEL	LENGTH ¹	OUTPUT	CCT	LENS ²	ENDCAP	LIGHT DIRECTION	FINISH
KiloS - Kilo Suspended	12"-120" 1" increments	7250 - Standard 72HO - High 72VHO - Very High	19K - 1900K 22K - 2200K 24K - 2400K 27K - 2700K 30K - 3000K 35K - 3500K 41K - 4100K	CC - Clear Lens FF - Frosted	A - Adjustable	U - Up D - Down	SA - Silver BK - Black BZ - Bronze WH - White
	12"-120" 2" increments	HE48LO - Low HE48SO - Standard HE48MO - Medium HE48HO - High HE64VHO - Very High	27K - 2700K 30K - 3000K 35K - 3500K 40K - 4000K				

1 - Custom lengths and increments are available, please consult factory with specific request.
 2 - All High Efficacy options can be used to comply with Title 24 JAB. High Color Quality options can be used to comply with Title 24 JAB depending on output, CCT, and lens selections. See multiplier charts to calculate specific efficacy.
 3 - BK, BZ, and VH finishes may have extended lead times. Custom RALs are available, please contact factory with specific request.

Product Dimensions



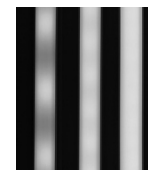
Lens Option / Light Transmission

Light Transmission

Lens/Accessory	Transmission Percentage
Clear Lens	100%
Frosted Lens	88%

LED Dotting Per Output/Lens

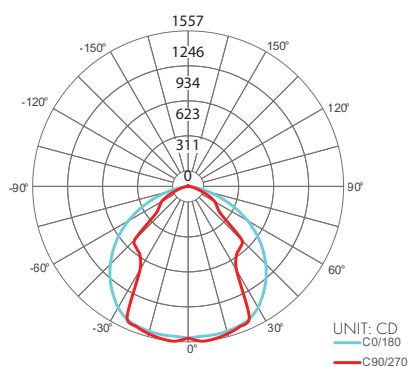
Output Type	Lens Type	
	Clear	Frosted
72SO	CD	ND
72HO	CD	ND
72VHO	CD	ND
HE48LO	CD	ND
HE48SO	CD	ND
HE48MO	CD	ND
HE48HO	CD	ND
HE64VHO	CD	ND



CD SD ND
 CD - Clear Dotting
 SD - Slight Dotting
 ND - No Dotting

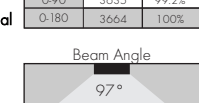
Photometry

KiloSPOA-48-72VHO-30K-C
 Kilo S POA, 4ft, 3000K, VHO, Clear Lens

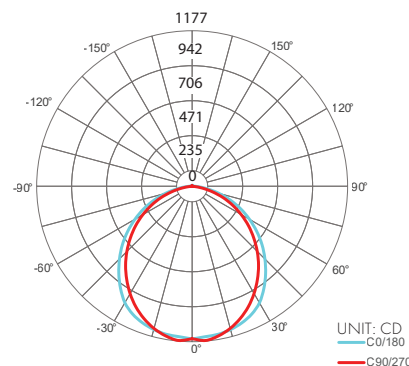


Zonal Lumen Summary 3000K

Zone	Lumen	% Fixture
0-30	1224	33.4%
0-40	1930	52.7%
0-60	3125	85.3%
0-90	3635	99.2%
0-180	3664	100%

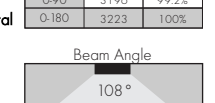


KiloS POA-48-72VHO-30K-F
 Kilo S POA, 4ft, 3000K, VHO, Frosted Lens



Zonal Lumen Summary 3000K

Zone	Lumen	% Fixture
0-30	895	27.8%
0-40	1459	45.3%
0-60	2552	79.2%
0-90	3196	99.2%
0-180	3223	100%



Power Consumption

Tested at full power with PSD Series power supplies.

Standard Nominal Lengths offered provide minimal shadowing. For alternate lengths, please contact factory with specific request.

High Color Quality (2x 72)

Nominal Length (in)	Actual Length	Watts			Nominal Length (in)	Actual Length	Watts			Nominal Length (in)	Actual Length	Watts			Nominal Length (in)	Actual Length	Watts		
		SO	HO	VHO			SO	HO	VHO			SO	HO	VHO			SO	HO	VHO
12	11 4/16	4.8	8.1	11.0	47	46	20.4	32.5	41.9	82	81 14/16	34.5	53.3	68.2	117	116 10/16	47.2	69.9	88.1
13	12 7/16	5.3	9.0	12.1	48	47 3/16	21.1	33.6	43.1	83	-	-	-	-	118	117 13/16	47.5	70.4	88.6
14	13 9/16	5.8	9.8	13.1	49	48 5/16	21.5	34.2	43.8	84	83 1/16	34.8	53.9	69.4	119	118 15/16	47.8	70.8	89.1
15	14 12/16	6.5	10.9	14.5	50	49 8/16	22.0	34.9	44.6	85	84 3/16	35.4	54.6	71.4	120	-	-	-	-
16	15 14/16	6.9	11.6	15.5	51	50 10/16	22.5	35.9	45.9	86	85 6/16	35.7	55.1	72.2	121	-	-	-	-
17	-	-	-	-	52	51 13/16	22.9	36.5	46.7	87	86 8/16	36.1	55.6	72.7	122	-	-	-	-
18	17 1/16	7.3	12.3	16.5	53	52 15/16	23.3	37.1	47.5	88	87 11/16	36.7	56.4	73.3	123	-	-	-	-
19	18 3/16	8.0	13.4	17.9	54	-	-	-	-	89	88 14/16	37.1	56.9	73.7	124	-	-	-	-
20	19 6/16	8.4	14.2	18.9	55	54 2/16	23.9	38.1	48.8	90	-	-	-	-	125	-	-	-	-
21	20 8/16	8.9	14.9	19.8	56	55 4/16	24.3	38.7	49.6	91	90	37.5	57.3	74.2	126	-	-	-	-
22	21 11/16	9.6	16.0	21.2	57	56 7/16	24.8	39.3	50.4	92	91 3/16	38.1	58.1	74.9	127	-	-	-	-
23	22 13/16	10.0	16.7	22.1	58	57 9/16	25.2	39.9	51.2	93	92 5/16	38.5	58.7	75.6	128	-	-	-	-
24	-	-	-	-	59	58 12/16	25.9	40.8	52.4	94	93 8/16	38.9	59.4	76.3	129	-	-	-	-
25	24	10.5	17.4	23.1	60	59 14/16	26.3	41.4	53.2	95	94 10/16	39.6	60.3	77.3	130	-	-	-	-
26	25 3/16	11.1	18.6	24.4	61	-	-	-	-	96	95 13/16	40.0	60.9	78.0	131	-	-	-	-
27	26 5/16	11.6	19.3	25.3	62	61 1/16	26.7	42.0	54.0	97	96 15/16	40.4	61.5	78.7	132	-	-	-	-
28	27 8/16	12.1	20.1	26.1	63	62 3/16	27.3	42.9	55.0	98	-	-	-	-	133	-	-	-	-
29	28 10/16	12.8	21.3	27.4	64	63 6/16	27.7	43.4	55.7	99	98 2/16	40.9	62.1	79.1	134	-	-	-	-
30	29 13/16	13.3	22.0	28.3	65	64 8/16	28.1	43.9	56.4	100	99 4/16	41.2	62.5	79.3	135	-	-	-	-
31	30 15/16	13.8	22.8	29.1	66	65 11/16	28.7	44.7	57.4	101	100 7/16	41.6	62.8	79.5	136	-	-	-	-
32	-	-	-	-	67	66 14/16	29.1	45.3	58.1	102	101 9/16	41.9	63.2	79.8	137	-	-	-	-
33	32 2/16	14.5	23.8	30.5	68	-	-	-	-	103	102 12/16	42.4	63.8	80.1	138	-	-	-	-
34	33 4/16	14.9	24.4	31.4	69	68	29.5	45.7	58.7	104	103 14/16	42.8	64.3	80.7	139	-	-	-	-
35	34 7/16	15.3	25.0	32.4	70	69 3/16	30.0	46.3	59.7	105	-	-	-	-	140	-	-	-	-
36	35 9/16	15.8	25.7	33.3	71	70 5/16	30.3	46.8	60.3	106	105 1/16	43.2	64.8	81.3	141	-	-	-	-
37	36 12/16	16.4	26.6	34.7	72	71 8/16	30.7	47.2	61.0	107	106 3/16	43.8	65.5	82.2	142	-	-	-	-
38	37 14/16	16.8	27.3	35.5	73	72 10/16	31.2	47.8	61.9	108	107 6/16	44.2	66.0	82.8	143	-	-	-	-
39	-	-	-	-	74	73 13/16	31.6	48.5	62.3	109	108 8/16	44.6	66.5	83.4	144	-	-	-	-
40	39 1/16	17.3	27.9	36.3	75	74 15/16	32.0	49.1	62.7	110	109 11/16	45.1	67.1	84.3					
41	40 3/16	17.9	28.9	37.6	76	-	-	-	-	111	110 14/16	45.4	67.5	84.9					
42	41 6/16	18.3	29.5	38.4	77	76 2/16	32.5	50.1	63.3	112	-	-	-	-					
43	42 8/16	18.7	30.1	39.2	78	77 4/16	32.9	50.8	63.7	113	112	45.7	67.9	85.5					
44	43 11/16	19.4	31.1	40.4	79	78 7/16	33.3	51.4	64.1	114	113 3/16	46.1	68.4	86.3					
45	44 14/16	19.9	31.8	41.1	80	79 9/16	33.6	52.0	64.9	115	114 5/16	46.4	68.8	86.9					
46	-	-	-	-	81	80 12/16	34.2	52.8	66.9	116	115 8/16	46.7	69.2	87.4					

Power Consumption

Tested at full power with PSD Series power supplies.

Standard Nominal Lengths offered provide minimal shadowing. For alternate lengths, please contact factory with specific request.

High Efficacy (2x HE48)

Nominal Length (in)	Actual Length	Watts				Nominal Length (in)	Actual Length	Watts				Nominal Length (in)	Actual Length	Watts				Nominal Length (in)	Actual Length	Watts			
		LO	SO	MO	HO			LO	SO	MO	HO			LO	SO	MO	HO			LO	SO	MO	HO
12	11 13/16	3.4	4.9	6.4	13.2	47	-	-	-	-	82	-	-	-	-	117	116 3/16	34.0	53.8	66.3	90.4		
13	-	-	-	-	-	48	47 4/16	14.3	22.6	27.5	47.9	83	82 11/16	22.6	38.4	47.6	78.5	118	-	-	-	-	
14	13 13/16	4.1	5.9	7.5	15.8	49	-	-	-	-	84	-	-	-	-	119	118 2/16	34.7	54.7	67.4	90.9		
15	-	-	-	-	-	50	49 4/16	14.7	23.3	28.5	49.4	85	84 11/16	22.8	39.3	48.8	79.4	120	-	-	-	-	
16	15 12/16	4.8	6.9	8.7	17.9	51	-	-	-	-	86	-	-	-	-	121	-	-	-	-	-		
17	-	-	-	-	-	52	51 3/16	15.3	24.1	29.6	51.3	87	86 10/16	23.1	40.1	49.9	80.3	122	-	-	-	-	
18	17 12/16	5.4	7.7	9.6	19.5	53	-	-	-	-	88	-	-	-	-	123	-	-	-	-	-		
19	-	-	-	-	-	54	53 3/16	15.8	25.0	30.7	53.2	89	88 10/16	23.3	41.0	51.0	81.2	124	-	-	-	-	
20	19 11/16	6.0	8.7	10.8	21.5	55	-	-	-	-	90	-	-	-	-	125	-	-	-	-	-		
21	-	-	-	-	-	56	55 2/16	16.4	25.9	31.9	55.2	91	90 9/16	23.5	41.9	52.1	82.0	126	-	-	-	-	
22	21 11/16	6.4	9.7	12.0	23.1	57	-	-	-	-	92	-	-	-	-	127	-	-	-	-	-		
23	-	-	-	-	-	58	57 2/16	17.0	26.8	33.1	57.0	93	92 9/16	24.0	42.9	53.4	82.7	128	-	-	-	-	
24	23 10/16	6.9	10.7	13.3	24.7	59	-	-	-	-	94	-	-	-	-	129	-	-	-	-	-		
25	-	-	-	-	-	60	59 1/16	17.5	27.7	34.3	58.7	95	94 8/16	24.6	43.8	54.7	83.3	130	-	-	-	-	
26	25 10/16	7.4	11.7	14.5	26.3	61	-	-	-	-	96	-	-	-	-	131	-	-	-	-	-		
27	-	-	-	-	-	62	61 1/16	18.1	28.6	35.5	60.5	97	96 8/16	25.2	44.8	56.0	84.0	132	-	-	-	-	
28	27 9/16	8.0	12.9	15.7	28.5	63	-	-	-	-	98	-	-	-	-	133	-	-	-	-	-		
29	-	-	-	-	-	64	63	18.4	29.5	36.6	63.8	99	98 7/16	26.1	45.8	57.0	84.6	134	-	-	-	-	
30	29 9/16	8.7	14.0	17.0	30.6	65	65	18.8	30.4	37.7	67.0	100	-	-	-	-	135	-	-	-	-		
31	-	-	-	-	-	66	-	-	-	-	101	100 7/16	27.1	46.7	58.0	85.2	136	-	-	-	-	-	
32	31 8/16	9.4	15.2	18.2	32.6	67	66 15/16	19.1	31.2	38.9	70.2	102	-	-	-	-	137	-	-	-	-	-	
33	-	-	-	-	-	68	-	-	-	-	103	102 6/16	28.1	47.7	58.9	85.9	138	-	-	-	-	-	
34	33 8/16	10.0	16.1	19.2	34.7	69	68 15/16	19.5	32.3	40.0	71.2	104	-	-	-	-	139	-	-	-	-	-	
35	-	-	-	-	-	70	-	-	-	-	105	104 6/16	28.8	48.6	60.0	86.5	140	-	-	-	-	-	
36	35 7/16	10.7	17.0	20.3	36.7	71	70 14/16	20.0	33.3	41.1	72.3	106	-	-	-	-	141	-	-	-	-	-	
37	-	-	-	-	-	72	-	-	-	-	107	106 5/16	29.4	49.6	61.1	87.1	142	-	-	-	-	-	
38	37 7/16	11.3	17.9	21.4	38.7	73	72 14/16	20.4	34.4	42.3	73.4	108	-	-	-	-	143	-	-	-	-	-	
39	-	-	-	-	-	74	-	-	-	-	109	108 5/16	30.0	50.6	62.2	87.7	144	-	-	-	-	-	
40	39 6/16	11.9	18.9	22.7	40.5	75	74 13/16	21.0	35.2	43.4	74.6	110	-	-	-	-	-	-	-	-	-	-	
41	-	-	-	-	-	76	-	-	-	-	111	110 4/16	31.0	51.4	63.3	88.4	-	-	-	-	-	-	
42	41 6/16	12.5	19.9	23.9	42.2	77	76 13/16	21.5	36.0	44.5	75.7	112	-	-	-	-	-	-	-	-	-	-	
43	-	-	-	-	-	78	-	-	-	-	113	112 4/16	31.9	52.0	64.1	89.0	-	-	-	-	-	-	
44	43 5/16	13.1	20.8	25.1	44.1	79	78 12/16	22.1	36.8	45.7	76.9	114	-	-	-	-	-	-	-	-	-	-	
45	-	-	-	-	-	80	-	-	-	-	115	114 3/16	33.0	52.9	65.2	89.8	-	-	-	-	-	-	
46	45 5/16	13.7	21.7	26.3	46.0	81	80 12/16	22.3	37.5	46.5	77.6	116	-	-	-	-	-	-	-	-	-	-	

Power Consumption

Tested at full power with PSD Series power supplies.

Standard Nominal Lengths offered provide minimal shadowing. For alternate lengths, please contact factory with specific request.

High Efficacy (2x HE64)

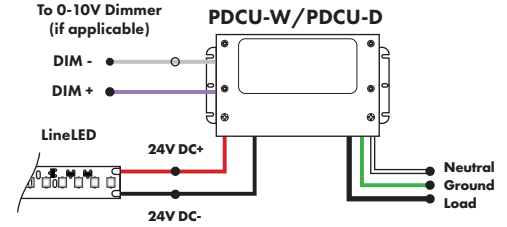
Nominal Length (in)	Actual Length	Watts	Nominal Length (in)	Actual Length	Watts	Nominal Length (in)	Actual Length	Watts	Nominal Length (in)	Actual Length	Watts
		VHO			VHO			VHO			VHO
12	11 1/16	12.6	47	–	–	82	–	–	117	116 13/16	–
13	12 10/16	14.5	48	47 7/16	58.2	83	82 4/16	91.5	118	–	–
14	–	–	49	48 15/16	60.1	84	83 12/16	92.1	119	118 6/16	–
15	14 2/16	16.4	50	–	–	85	–	–	120	119 14/16	–
16	15 10/16	18.2	51	50 7/16	62.0	86	85 5/16	92.7	121	–	–
17	–	–	52	52	63.8	87	86 13/16	93.3	122	–	–
18	17 2/16	20.1	53	–	–	88	–	–	123	–	–
19	18 11/16	22.0	54	53 8/16	65.6	89	88 5/16	94.0	124	–	–
20	–	–	55	55	67.4	90	89 13/16	94.6	125	–	–
21	20 3/16	23.9	56	–	–	91	–	–	126	–	–
22	21 11/16	25.7	57	56 8/16	69.6	92	91 5/16	95.2	127	–	–
23	–	–	58	–	–	93	92 14/16	95.8	128	–	–
24	23 3/16	27.6	59	58	71.2	94	–	–	129	–	–
25	24 11/16	29.5	60	59 9/16	72.8	95	94 6/16	–	130	–	–
26	–	–	61	–	–	96	95 14/16	–	131	–	–
27	26 4/16	31.4	62	61 1/16	74.4	97	–	–	132	–	–
28	27 12/16	33.3	63	62 9/16	75.6	98	97 6/16	–	133	–	–
29	–	–	64	–	–	99	98 15/16	–	134	–	–
30	29 4/16	35.2	65	64 1/16	76.8	100	–	–	135	–	–
31	30 12/16	37.2	66	65 10/16	78.0	101	100 7/16	–	136	–	–
32	–	–	67	–	–	102	101 15/16	–	137	–	–
33	32 5/16	39.1	68	67 2/16	79.2	103	–	–	138	–	–
34	33 13/16	41.0	69	68 10/16	80.3	104	103 7/16	–	139	–	–
35	–	–	70	–	–	105	104 15/16	–	140	–	–
36	35 5/16	42.9	71	70 2/16	81.3	106	–	–	141	–	–
37	36 13/16	44.9	72	71 10/16	82.4	107	106 8/16	–	142	–	–
38	–	–	73	–	–	108	108	–	143	–	–
39	38 5/16	46.7	74	73 3/16	83.4	109	–	–	144	–	–
40	39 14/16	48.6	75	74 11/16	85.1	110	109 8/16	–			
41	–	–	76	–	–	111	–	–			
42	41 6/16	50.4	77	76 3/16	86.8	112	111	–			
43	42 14/16	52.3	78	77 11/16	88.5	113	112 9/16	–			
44	–	–	79	–	–	114	–	–			
45	44 6/16	54.2	80	79 4/16	90.2	115	114 1/16	–			
46	45 15/16	56.2	81	80 12/16	90.8	116	115 9/16	–			

Power Supplies

See Power Supply instructions and spec sheet for wiring information. For a complete list of compatible dimmers, see Compatible Dimming Chart on the Resources page.

Universal Power Supply 1% 120VAC - 277VAC

MODEL	POWER	OUTPUT
PDCU-D - IP20 Dry Series	30 - 30 W 60 - 60 W 96 - 96 W 3X96 - 3X96 W	24 - 24 VDC
PDCU-W - IP66 Wet Series	96 - 96 W 3X96 - 3X96 W	

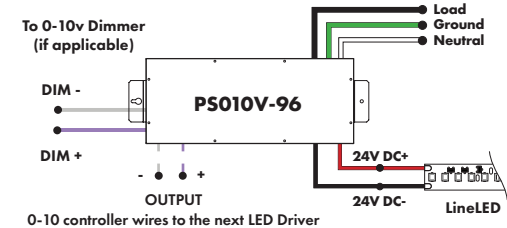


0-10V dims down to 1%, MLV/ELV/TRIAC dims down to 1%.
For a complete list of compatible dimmers, see [Compatible Dimming Chart](#) on the Resources page.

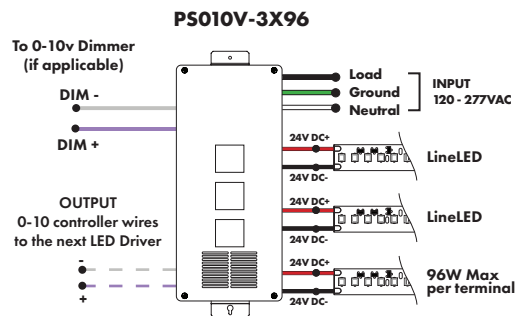
MODELS	PDCU-W 96W	PDCU-W 3X96W	PDCU-D 30W	PDCU-D 60W	PDCU-D 96W	PDCU-D 3X96W
Length	8.66"	11.85"	6.10"	7.93"	8.25"	9.57"
Width	3.73"	4.32"	3.35"	3.35"	4.10"	5.94"
Depth	1.61"	1.81"	1.33"	1.32"	1.56"	1.13"

0-10V Dimming Power Supplies 0.1% 120VAC - 277VAC

MODEL	POWER	OUTPUT	DIMMING
PS010V - 0-10V Power Supply dims down to 0.1%	96 - 96 Watt 3X96 - 3 X 96 Watt	24 - 24 VDC	LIN - Linear LOG - Logarithmic



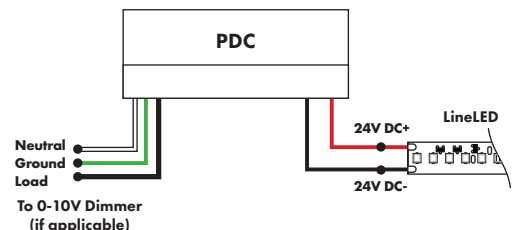
MODELS	96W	3X96
Length	14.40"	15.75"
Width	5.20"	6.62"
Depth	2.60"	4.95"



Triac, MLV, ELV, & PWM Compatible Dimmers

MODEL	POWER	OUTPUT
PDC - (IP20) Power Supply	96 - 96 Watts	24 - 24 VDC

MODELS	96W
Length	8.25"
Width	4.10"
Depth	1.56"



Power Supplies

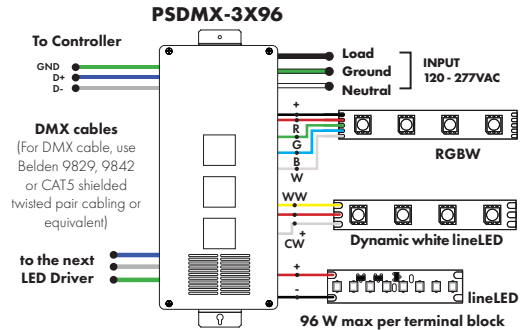
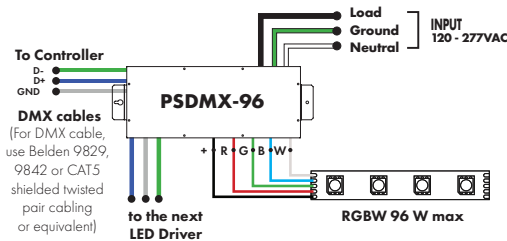
See Power Supply instructions and spec sheet for wiring information. For a complete list of compatible dimmers, see Compatible Dimming Chart on the Resources page.

DMX Dimming Power Supplies 120VAC - 277VAC

MODEL	POWER	OUTPUT
PSDMX - DMX Power Supply dims down to 0%	96 - 96 Watt 3X96 - 3 X 96 Watt	24 - 24 VDC

Features eldoLED's LINEARdrive configurable dimmable drivers

MODELS	96W	3X96
Length	14.40"	15.75"
Width	5.20"	6.62"
Depth	2.60"	4.95"

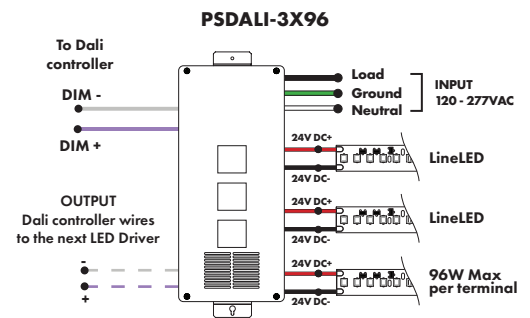
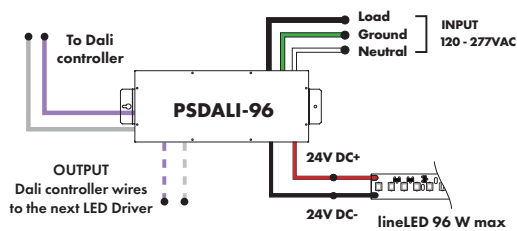


DALI 0% Dimming Power Supplies 120VAC - 277VAC

MODEL	POWER	OUTPUT
PSDALI - DALI Power Supply dims down to 0%	96 - 96 Watt 3X96 - 3 X 96 Watt	24 - 24 VDC

Features eldoLED's LINEARdrive configurable dimmable drivers

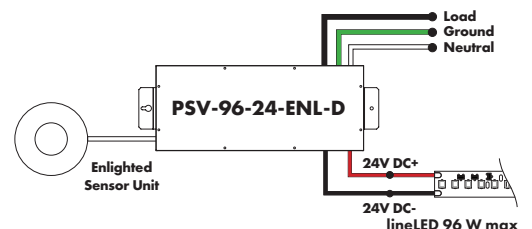
Model	96W	3X96
Length	14.40"	15.75"
Width	5.20"	6.62"
Depth	2.60"	4.95"



Enlighted Enabled Dimming Power Supplies 120VAC - 277VAC

MODEL	POWER	OUTPUT	DIMMING	LOCATION
PSV - PSV Series	96 - 96 Watt	24 - 24 VDC	ENL - Enlighted Dimming dims down to 0%	D - Damp

Model	96W
Length	14.40"
Width	5.20"
Depth	2.60"



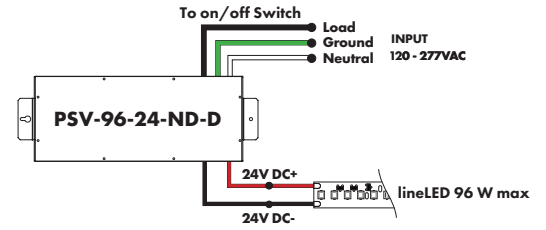
Power Supplies

See Power Supply instructions and spec sheet for wiring information. For a complete list of compatible dimmers, see Compatible Dimming Chart on the Resources page.

Non-Dimming Power Supply 120VAC - 277VAC

MODEL	POWER	OUTPUT	DIMMING	LOCATION
PSV - PSV Series	96 - 96 Watt	24 - 24 VDC	U2ND - Non Dimming	D - Damp

MODELS	96W
Length	14.40"
Width	5.20"
Depth	2.60"

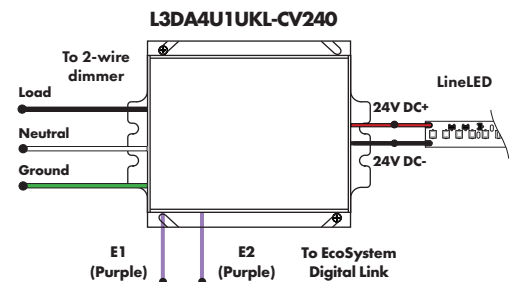
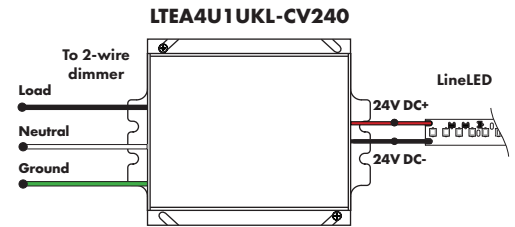


Luminii is a Lutron OEM Advantage Partner

Lutron Power Supplies 1%

MODEL	MODEL
LTEA4U1UKL-CV240	L3DA4U1UKL-CV240
Lutron - HiLume™ 1% 2-wire LED Driver 40W max	HiLume™ 1% EcoSystem Voltage LED driver 40W max
(120V forward phase only)	

MODELS	LTEA4U1UKL-CV240	L3DA4U1UKL-CV240
Length	4.89"	4.98"
Width	4.00"	4.00"
Depth	2.62"	2.62"

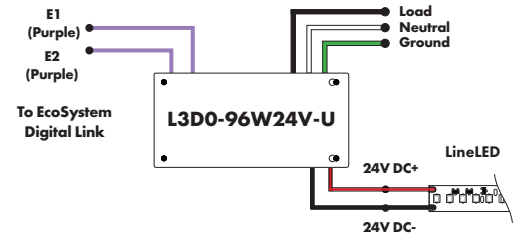


Luminii is a Lutron OEM Advantage Partner

Lutron Power Supplies 0.1%

MODEL
L3D0-96W24V-U
HiLume™ 0.1% EcoSystem Voltage LED Driver with Soft-On, Fade-to-Black™ 96W max

MODELS	L3D0
Length	10.50"
Width	5.50"
Depth	2.00"



In-Ground Power Supplies

MODEL	POWER	OUTPUT	INPUT
IG - In ground CVE Series	CVE - ELV Dimming DALI - eidoLED Dali dimming Both dims down to 0%	96X2 - 2 X 96 Watt	24 - 24 VDC
			Blank - 120 V 277 - 240/277 V

MODELS	Dual Circuit
Length	8.40"
Width	8.30"
Depth	8.10"

