

Features

- 24VDC Class 2 fixtures made to order up to 144" per fixture section, or in a system up to 200' with a single lens
- Comes with 8ft silver adjustable cable and white finish canopy
- Dot free even illumination achievable in with frosted lens
- Vibrant colors with R9 values up to 98
- Single micro binned LEDs +/- 30 CCT
- Dims with minimal color shift
- Class 2 listed for damp locations
- 5 Year warranty



Finish options




 Silver anodized

IC RATED

 Black powder coated

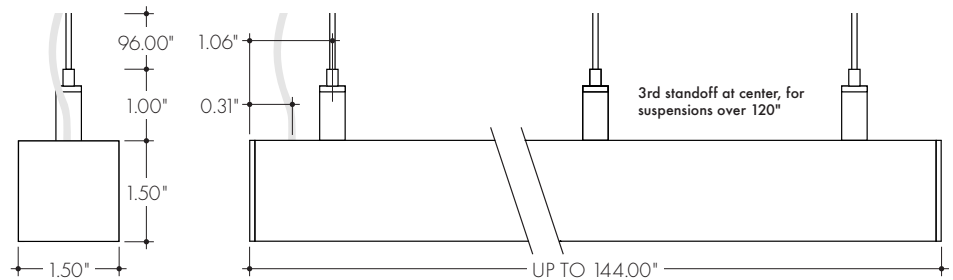
RoHS

 Bronze powder coated



 White powder coated

Product dimensions



additional Kilo Suspension Fixture details on page 2

Technical information

OUTPUT OPTIONS			
Output	Lumens at 3000K (with frosted lens)	Average power consumption at 4'	Lumens / Watt (with frosted lens)
SO (2 X LL36)	306 lm/ft	6.5 W/ft	47 lm/W
MO (2 X LL54)	498 lm/ft	9.7 W/ft	51 lm/W
HO (2 X LL72)	655 lm/ft	12.0 W/ft	55 lm/W

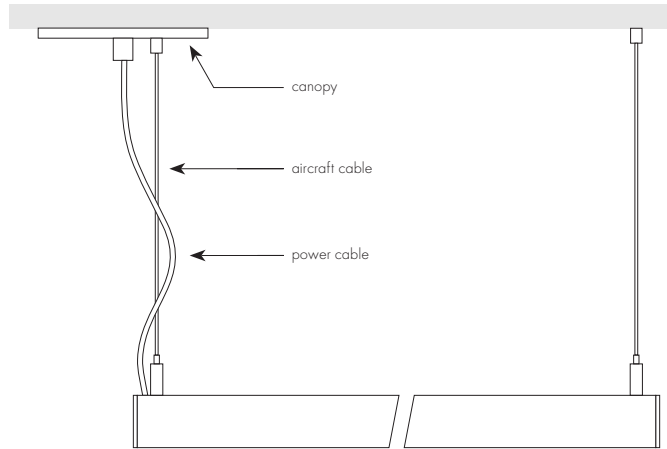
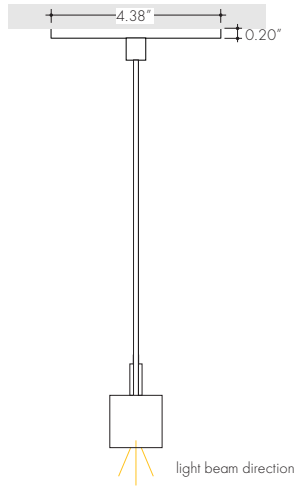
CCT INFO/LUMEN MULTIPLIER		TM-30-15		
Color temperature	Multiplier (reference - 3000K)	CRI	R _f	R _g
1900K	0.63	96	94	97
2200K	0.68	96	95	101
2400K	0.72	98	97	101
2700K	0.76	97	96	101
2900K	0.90	96	93	101
3000K	1.00	97	95	104
3500K	1.05	97	94	105
4100K	1.37	97	90	99

Ordering code

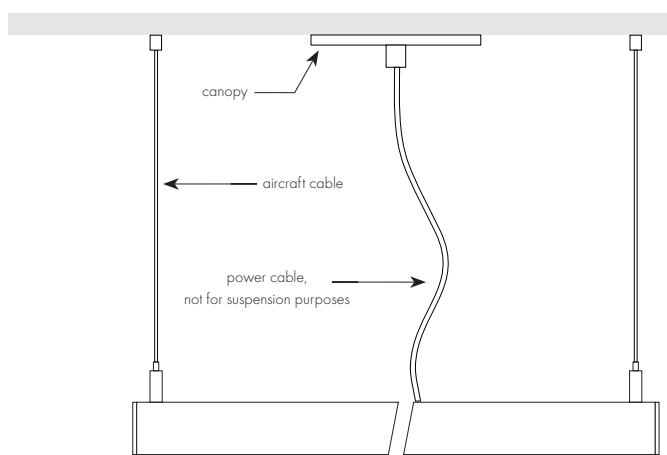
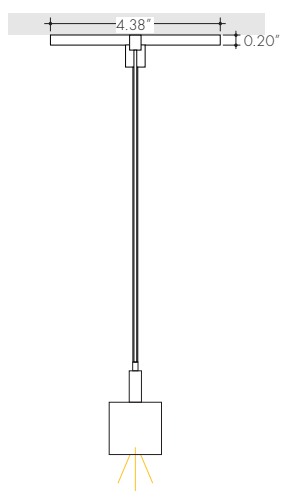
MODEL	LENGTH	CCT	OUTPUT	LENS	FINISH	POWER FEED
KiloS	12	19K	SO	FF	SA	CF
KiloS - Kilo Suspension	12"-144" - 4" increments CRL - Continuous roll lens up to 200', using a single lens. The fixture body is comprised of sections up to 12' in length as determined by shop drawings	19K - 1900K 22K - 2200K 24K - 2400K 27K - 2700K 29K - 2900K 30K - 3000K 35K - 3500K 41K - 4100K	SO - Standard MO - Medium HO - High	FF - Optic Frosted Film	SA - Silver BK - Black BZ - Bronze WH - White (BK, BZ, WH finishes will have an upcharge and require longer lead times)	CF - Center feed SF - Side feed

Product Details

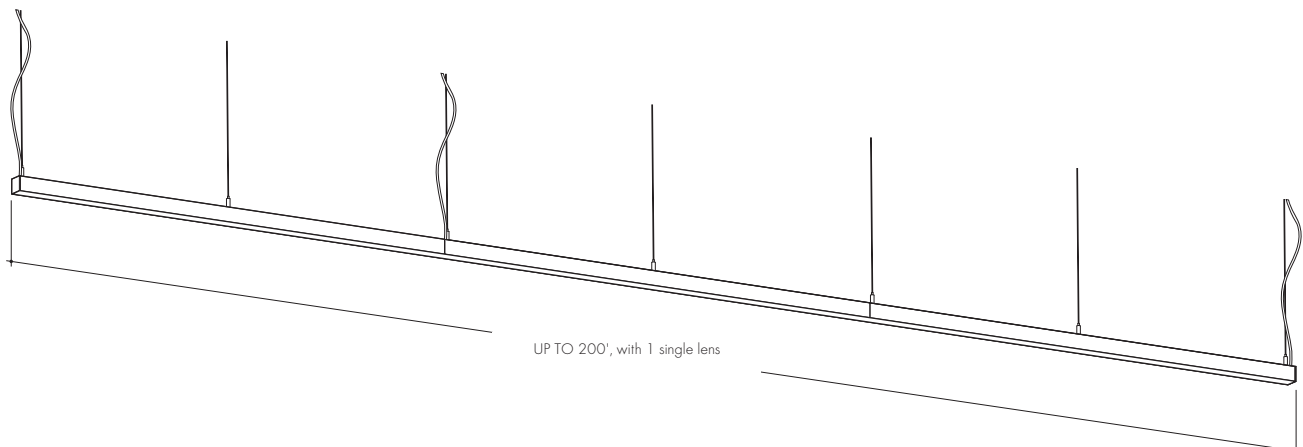
Kilo S with side feed canopy

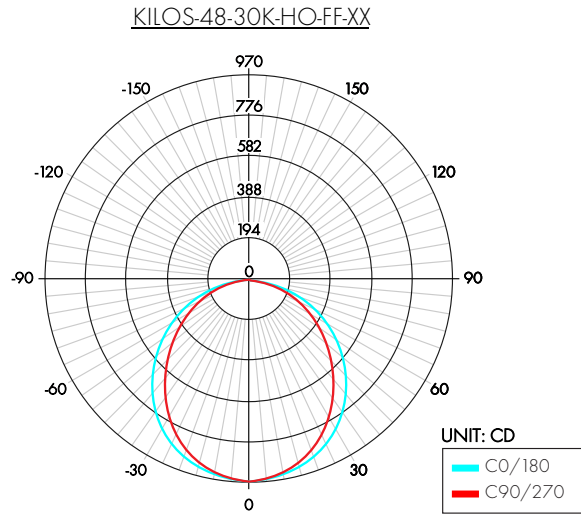


Kilo S with center feed canopy



Continuous roll lens length overview





Zonal Lumen Summary 3000K

Zone	Lumen	% Fixture
0-30	744	28%
0-40	1211	46%
0-60	2097	80%
0-90	2598	99%
Total	2621	100%

Total

Beam Angle



Power consumption per fixture length

Based on operation with PSD series of power supplies



Nominal Length	Actual Length	SO		Actual Length	MO		Actual Length	HO	
		W/ft	Total wattage		W/ft	Total wattage		W/ft	Total wattage
12"	13-3/16"	6.50	6.50	13-2/16"	10.70	10.60	13-2/16"	13.50	13.50
16"	17-1/16"	6.50	8.00	17-1/16"	10.66	14.12	17 "	13.50	18.00
20"	21-1/16"	6.50	10.50	21-1/16"	10.62	17.64	21 "	13.50	22.50
24"	24-15/16"	6.50	13.00	25 "	10.60	21.20	24-15/16"	13.50	27.00
28"	28-14/16"	6.50	15.50	28-14/16"	10.56	24.66	28-14/16"	13.50	33.50
32"	32-14/16"	6.50	17.00	32-14/16"	10.50	28.12	32-13/16"	13.50	38.00
36"	36-12/16"	6.50	19.50	36-13/16"	10.50	31.60	36-12/16"	13.30	39.90
40"	40-11/16"	6.50	20.50	40-12/16"	10.46	34.80	41-11/16"	13.30	44.40
44"	44-11/16"	6.40	23.50	44-11/16"	10.42	38.00	45-10/16"	13.3	48.80
48"	48-10/16"	6.40	25.60	48-10/16"	10.40	41.20	49-9/16"	13.10	52.40
52"	52-9/16"	6.40	26.60	53-14/16"	10.36	44.80	53-8/16"	13.10	57.00
56"	56-8/16"	6.40	29.60	57-13/16"	10.32	48.40	57-7/16"	13.10	61.00
60"	60-7/16"	6.40	32.00	61-12/16"	10.30	52.00	61-6/16"	12.90	64.50
64"	64-6/16"	6.40	34.00	65-11/16"	10.26	55.20	65-5/16"	12.90	68.80
68"	70-4/16"	6.30	36.00	69-10/16"	10.22	58.40	69-4/16"	12.90	73.10
72"	74-3/16"	6.30	37.80	73-9/16"	10.20	61.60	73-3/16"	12.80	76.80
76"	78-2/16"	6.30	38.00	77-8/16"	10.16	64.80	77-2/16"	12.80	81.00
80"	82-2/16"	6.30	43.00	81-8/16"	10.12	68.00	81-1/16"	12.80	86.00
84"	86 "	6.30	44.10	85-7/16"	10.10	71.40	85 "	12.50	87.50
88"	89-15/16"	6.30	46.00	89-5/16"	10.06	74.20	88-15/16"	12.50	92.00
92"	93-14/16"	6.20	48.00	93-4/16"	10.02	77.00	92-14/16"	12.50	96.00
96"	97-13/16"	6.20	49.60	97-4/16"	10.00	80.00			
100"	101-13/16"	6.20	52.60	101-3/16"	9.96	83.20			
104"	105-11/16"	6.10	54.20	105-2/16"	9.92	86.40			
108"	109-11/16"	6.10	56.00	109-1/16"	9.90	89.60			
112"	113-10/16"	6.10	57.00	113 "	9.86	92.40			
116"	117-8/16"	6.10	60.00	116-15/16"	9.82	95.20			
120"	121-8/16"	6.00	61.00						
124"	125-7/16"	6.00	63.00						
128"	129-5/16"	6.00	65.00						
132"	133-5/16"	5.90	67.00						
136"	137-4/16"	5.90	68.60						
140"	141-3/16"	5.90	71.00						
144"	145-2/16"	5.80	72.00						

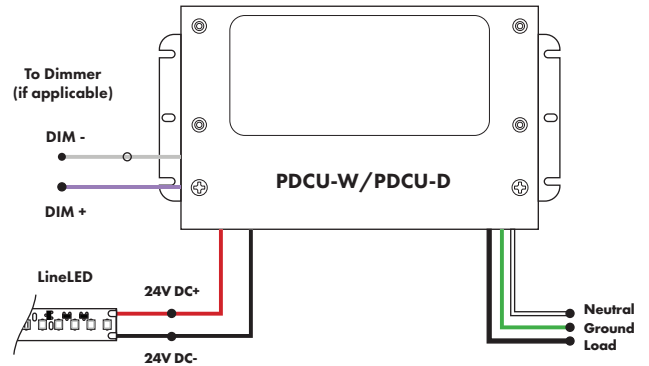
Power Supply

See fixture and power supply instructions & spec sheet for wiring information. Dimming possible in select models - view Luminii website for list of compatible dimmers.

Universal Power Supply

MODEL	POWER	OUTPUT
PDCU-W	96	24
PDCU-W - IP66 Wet Series	96 - 96 W 3X96 - 3X96 W	24 - 24 VDC
PDCU-D - IP20 Dry Series	30 - 30 W 60 - 60 W 96 - 96 W 3X96 - 3X96 W	

0-10V - 1% dimming
MLV/ELV/TRIAC - 1% dimming, consult dimming compatibility chart
Compatibility:
View a complete list of compatible dimmers on product page ([Link](#))

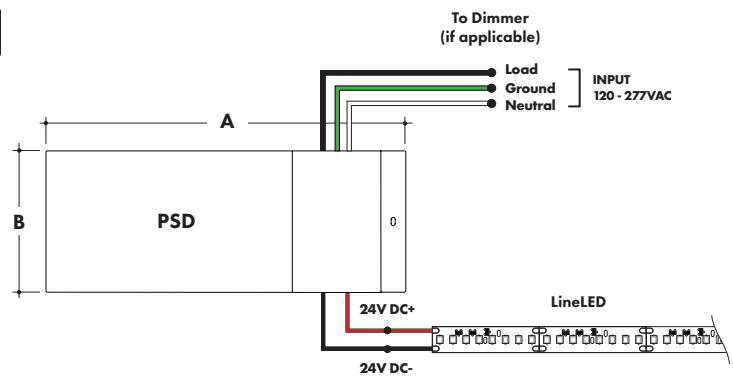


MODELS	PDCU-W 96W	PDCU-W 3X96W	PDCU-D 30W	PDCU-D 60W	PDCU-D 96W	PDCU-D 3X96W
A Length	8.66"	11.85"	6.10"	7.93"	8.25"	9.57"
B Width	3.73"	4.32"	3.35"	3.35"	4.10"	5.94"
Depth	1.61"	1.81"	1.33"	1.32"	1.56"	1.13"

Magnetic Low Voltage Dimming Power Supplies

MODEL	POWER	OUTPUT	INPUT
PSD	48	24	
PSD - PSD Series dims down to 0%	48 - 48 Watt 96 - 96 Watt 288 - 288 Watt (3 x 96Watt)	24 - 24 VDC	Blank - 120 V 240 - 240 V 277 - 277 V

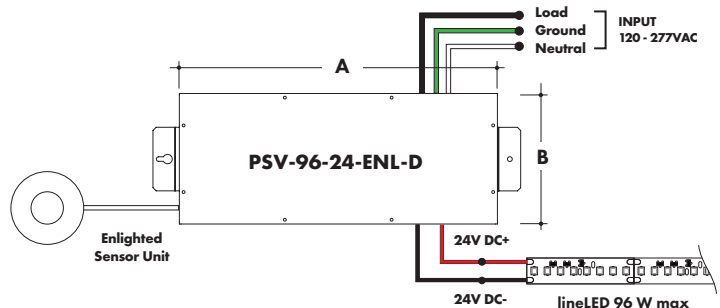
MODELS	48W	96W	288W
A Length	11.25"	11.25"	13.06"
B Width	3.42"	3.42"	8.42"
Depth	3.42"	3.27"	4.47"



Enlighted Enabled Dimming Power Supplies:

MODEL	POWER	OUTPUT	DIMMING	LOCATION
PSV	96	24	ENL	D
PSV - PSV Series	96 - 96 Watt	24 - 24 VDC	ENL - Enlighted Dimming	D - Damp

MODELS	96W
A Length	14.40"
B Width	5.20"
Depth	2.60"



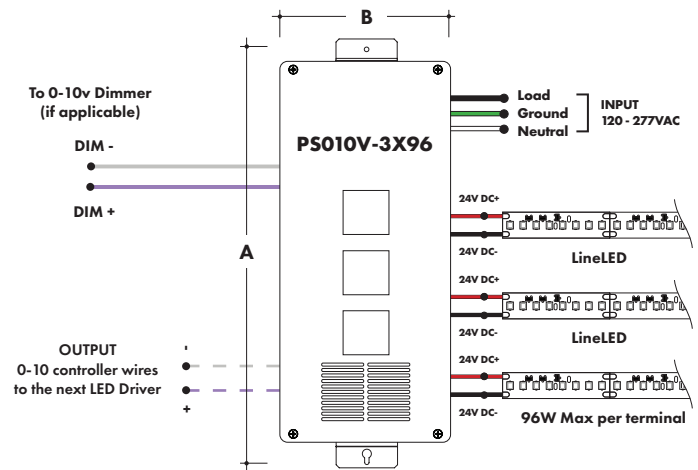
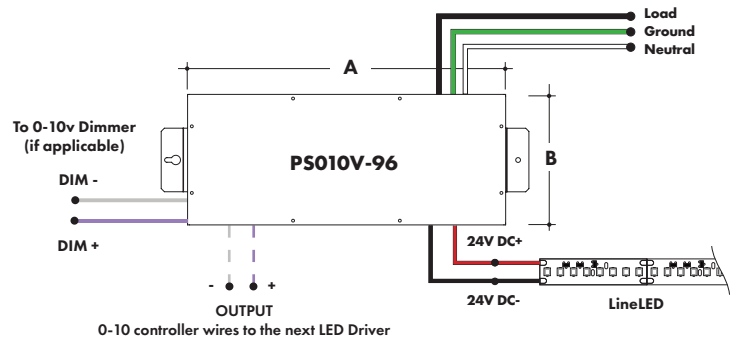
Power Supply

See fixture and power supply instructions & spec sheet for wiring information. Dimming possible in select models - view Luminii website for list of compatible dimmers.

0-10V Dimming Power Supplies

MODEL	POWER	OUTPUT	DIMMING
PS010V	96	24	LIN
PS010V - 0-10V Power Supply dims down to 0%	96 - 96 Watt 3X96 - 3 X 96 Watt	24 - 24 VDC	LIN - Linear LOG - Logarithmic

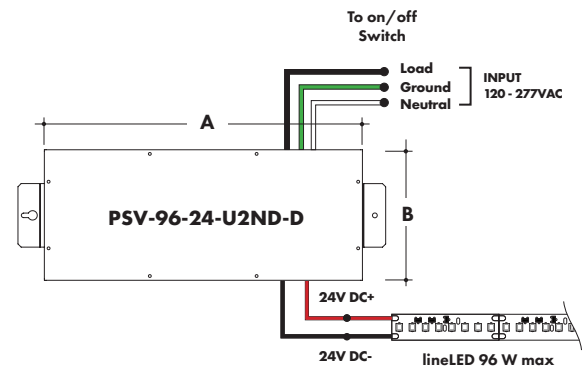
MODELS	96W	3X96
A Length	14.40"	15.75"
B Width	5.20"	6.62"
Depth	2.60"	4.95"



Non-Dimming Power Supply

MODEL	POWER	OUTPUT	DIMMING	LOCATION
PSV	96	24	U2ND	D
PSV - PSV Series	96 - 96 Watt	24 - 24 VDC	U2ND - Non Dimming	D - Damp

MODELS	96W
A Length	14.40"
B Width	5.20"
Depth	2.60"



Power Supply

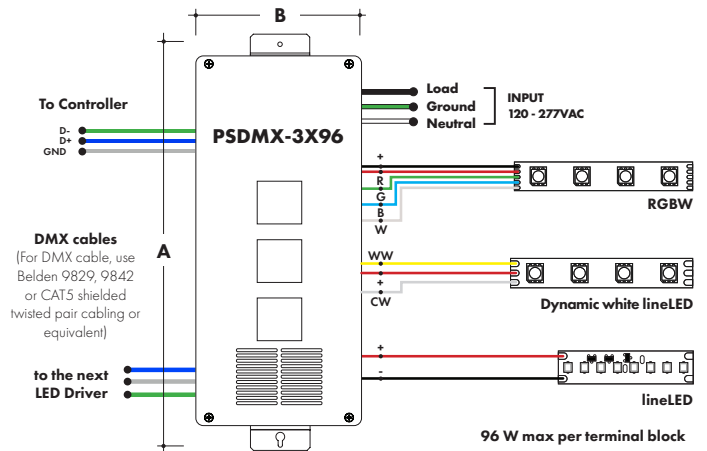
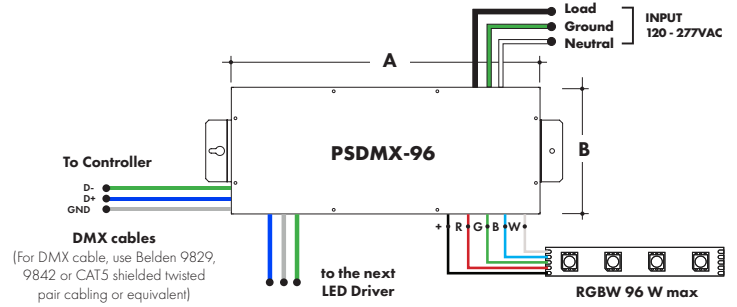
See fixture and power supply instructions & spec sheet for wiring information. Dimming possible in select models - view luminii website for list of compatible dimmers.

DMX Dimming Power Supplies

MODEL	POWER	OUTPUT
PSDMX	96	24
PSDMX - DMX Power Supply	96 - 96 Watt 3X96 - 3 X 96 Watt	24 - 24 VDC

Features eldoLED's LINEARdrive configurable dimmable drivers

MODELS	96W	3X96
A Length	14.40"	15.75"
B Width	5.20"	6.62"
Depth	2.60"	4.95"

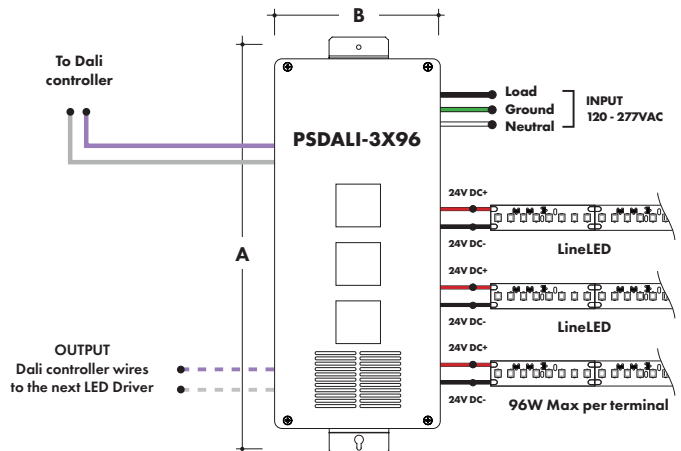
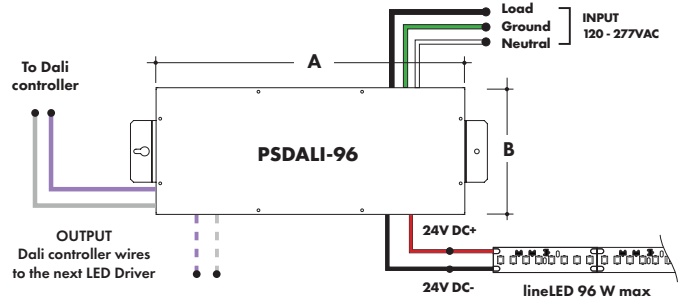


DALI Dimming Power Supplies

MODEL	POWER	OUTPUT
PSDALI	96	24
PSDALI - DALI Power Supply	96 - 96 Watt 3X96 - 3 X 96 Watt dims down to 0%	24 - 24 VDC

Features eldoLED's LINEARdrive configurable dimmable drivers

MODELS	96W	3X96
A Length	14.40"	15.75"
B Width	5.20"	6.62"
Depth	2.60"	4.95"



Power Supply

See fixture and power supply instructions & spec sheet for wiring information. Dimming possible in select models - view Luminii website for list of compatible dimmers.



Luminii is a Lutron OEM Advantage Partner

MODEL

LTEA4U1UKL-CV240

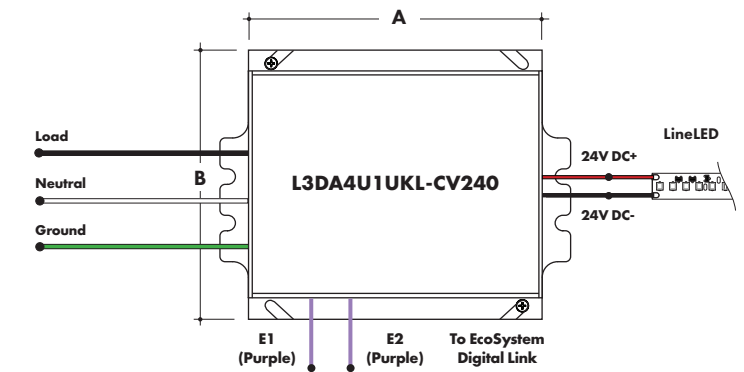
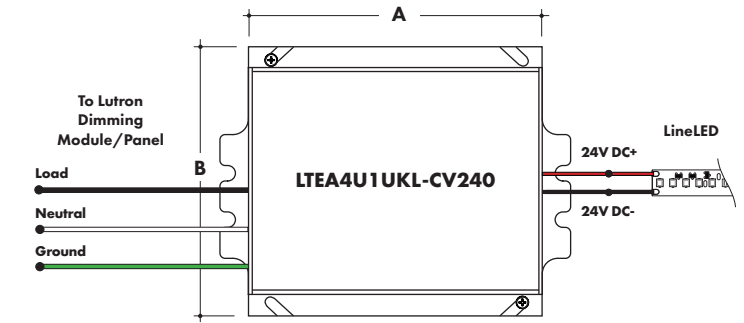
Lutron - HiLume™ 1% 2-wire LED Driver
(120V forward phase only)

MODEL

L3DA4U1UKL-CV240

HiLume™ 1% EcoSystem Voltage LED driver

MODELS	LTEA4U1UKL-CV240	L3DA4U1UKL-CV240
A Length	4.89"	4.98"
B Width	4.00"	4.00"
Depth	2.62"	2.62"



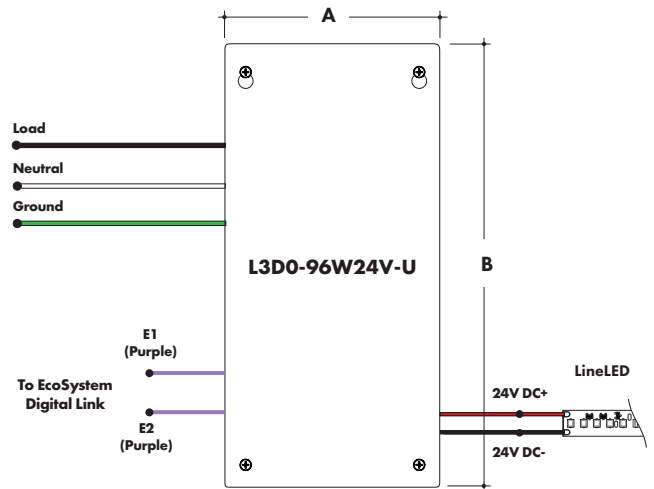
Luminii is a Lutron OEM Advantage Partner

MODEL

L3D0-96W24V-U

HiLume™ 0.1% EcoSystem Voltage LED Driver with Soft-On, Fade-to-Black™

MODELS	L3D0
A Length	10.50"
B Width	5.50"
Depth	2.00"



Power Supply

See fixture and power supply instructions & spec sheet for wiring information. Dimming possible in select models - view Luminii website for list of compatible dimmers.

In ground, Electronic Low Voltage Dimming Power Supplies

MODEL	POWER	OUTPUT	INPUT
IG - CVE	96X2	24	Blank - 120 V 277 - 240/277 V
IG - In ground CVE Series	96X2 - 2 X 96 Watt	24 - 24 VDC	
CVE - ELV Dimming DALI - eldoLED Dali dimming Both dims down to 0.1%			

MODELS	Dual Circuit
A Length	8.40"
B Width	8.30"
Depth	8.10"

