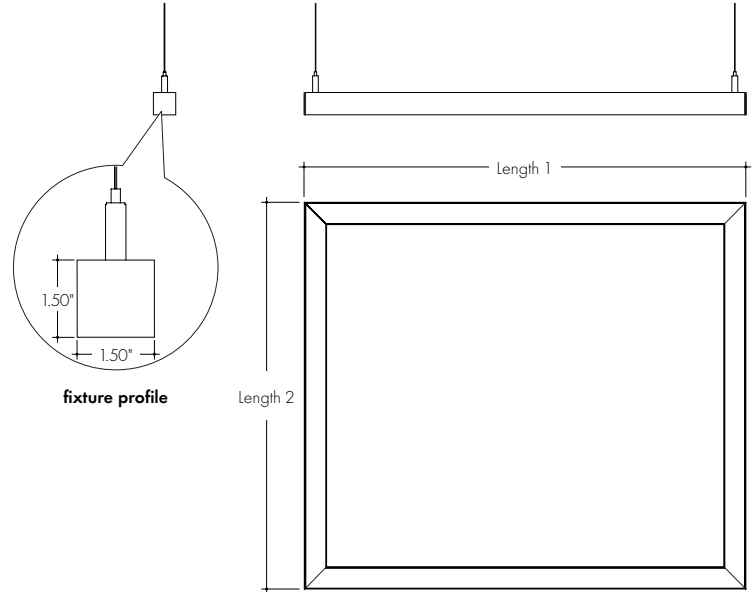


Extruded aluminum illumination system, Kilo S Square is designed to accommodate the complete area of a space. Available in 4" increments, the fixture is suspended with adjustable length silver aircraft cable for up to 8ft drop. Comes with white finish junction box cover plate.



Finish options



Black powder coated



Bronze powder coated



Silver anodized



White powder coated

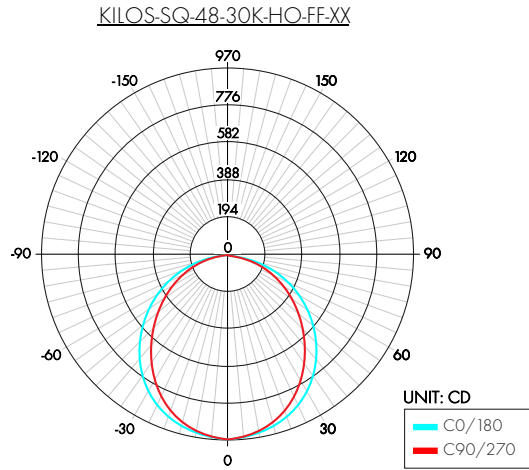
Technical information

OUTPUT OPTIONS				CCT INFO/LUMEN MULTIPLIER				
Output	Lumens at 3000K (with frosted lens)	Average power consumption at 4'	Lumens / Watt (with frosted lens)	TM-30-15				
				Color temperature	Multiplier (reference - 3000K)	CRI	R _f	R _g
SO (2 X LL36)	306 lm/ft	6.5 W/ft	47 lm/W	1900K	0.63	96	94	97
MO (2 X LL54)	498 lm/ft	9.7 W/ft	51 lm/W	2200K	0.68	96	95	101
HO (2 X LL72)	655 lm/ft	12.0 W/ft	55 lm/W	2400K	0.72	98	97	101
				2700K	0.76	97	96	101
				2900K	0.90	96	93	101
				3000K	1.00	97	95	104
				3500K	1.05	97	94	105
				4100K	1.37	97	90	99

Ordering code

MODEL	LENGTH	CCT	OUTPUT	LENS	FINISH
KILOS-SQ	L1 X L2	19K	HO	FF	SA
KILOS-SQ - KILOS Square Suspension	L1 x L2 - Length 1 x Length 2	19K - 1900K 22K - 2200K 24K - 2400K 27K - 2700K 29K - 2900K 30K - 3000K 35K - 3500K 41K - 4100K	SO - Standard MO - Medium HO - High	FF - Optic Frosted Film	SA - Silver BK - Black BZ - Bronze WH - White

Photometry



Zonal Lumen Summary 3000K

Zone	Lumen	% Fixture
0-30	744	28%
0-40	1211	46%
0-60	2097	80%
0-90	2598	99%
0-180	2621	100%

Total

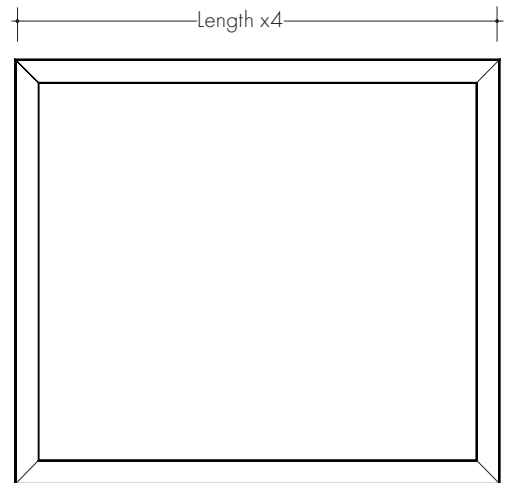
Beam Angle



Power consumption

Based on operation with PSD series of power supplies.

Length (x 4 sides)	SO		MO		HO	
	W/ft average	96W power supplies needed	W/ft average	96W power supplies needed	W/ft average	96W power supplies needed
4' (x4)	6.20 W	2	10.00 W	2	12.08 W	2
6' (x4)	6.00 W	2	9.60 W	3	11.75 W	3
8' (x4)	5.90 W	2	8.80 W	3	10.61 W	4
10' (x4)	5.70 W	2	8.40 W	4	9.41 W	4
12' (x4)	5.50 W	3	7.60 W	4	9.10 W	5



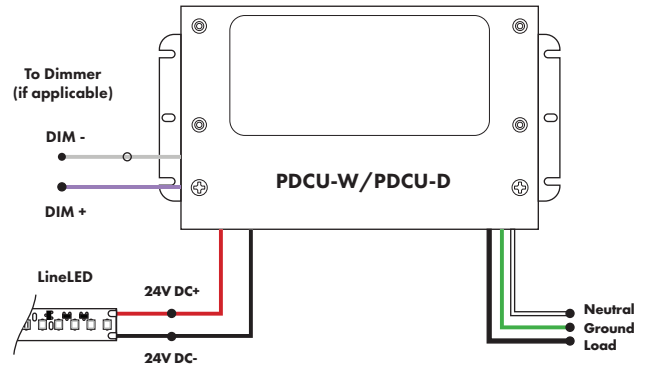
Power Supply

See fixture and power supply instructions & spec sheet for wiring information. Dimming possible in select models - view Luminii website for list of compatible dimmers.

Universal Power Supply

MODEL	POWER	OUTPUT
PDCU-W	96	24
PDCU-W - IP66 Wet Series	96 - 96 W 3X96 - 3X96 W	24 - 24 VDC
PDCU-D - IP20 Dry Series	30 - 30 W 60 - 60 W 96 - 96 W 3X96 - 3X96 W	

0-10V - 1% dimming
MLV/ELV/TRIAC - 1% dimming, consult dimming compatibility chart
Compatibility:
View a complete list of compatible dimmers on product page ([Link](#))

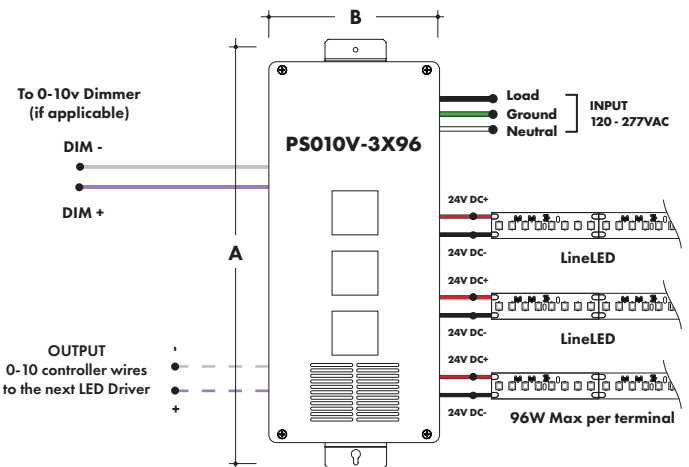
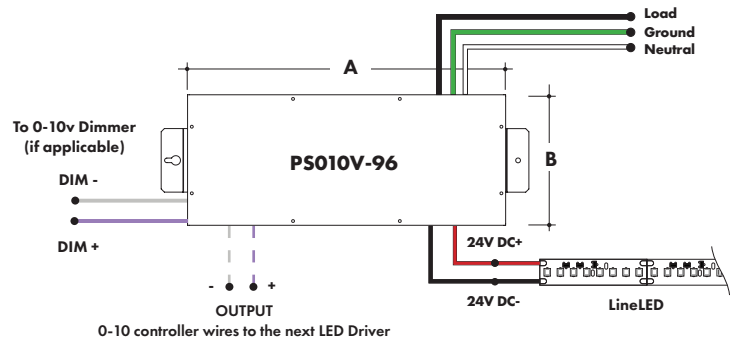


MODELS	PDCU-W 96W	PDCU-W 3X96W	PDCU-D 30W	PDCU-D 60W	PDCU-D 96W	PDCU-D 3X96W
A Length	8.66"	11.85"	6.10"	7.93"	8.25"	9.57"
B Width	3.73"	4.32"	3.35"	3.35"	4.10"	5.94"
Depth	1.61"	1.81"	1.33"	1.32"	1.56"	1.13"

0-10V Dimming Power Supplies

MODEL	POWER	OUTPUT	DIMMING
PS010V	96	24	LIN
PS010V - 0-10V Power Supply dims down to 0%	96 - 96 Watt 3X96 - 3 X 96 Watt	24 - 24 VDC	LIN - Linear LOG - Logarithmic

MODELS	96W	3X96
A Length	14.40"	15.75"
B Width	5.20"	6.62"
Depth	2.60"	4.95"



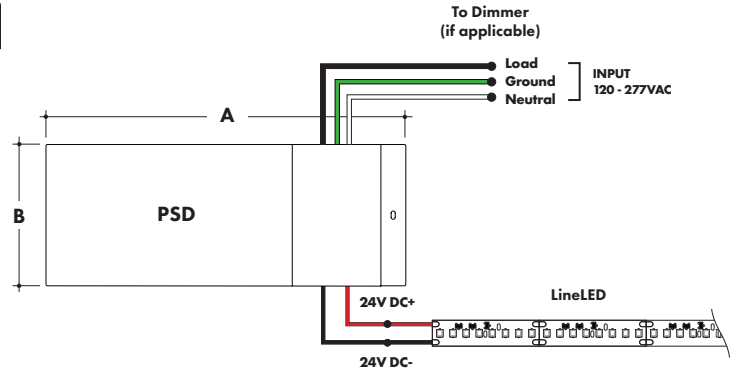
Power Supply

See fixture and power supply instructions & spec sheet for wiring information. Dimming possible in select models - view Luminii website for list of compatible dimmers.

Magnetic Low Voltage Dimming Power Supplies

MODEL	POWER	OUTPUT	INPUT
PSD	48	24	
PSD - PSD Series dims down to 0%	48 - 48 Watt 96 - 96 Watt 288 - 288 Watt (3 x 96Watt)	24 - 24 VDC	Blank - 120 V 240 - 240 V 277 - 277 V

MODELS	48W	96W	288W
A Length	11.25"	11.25"	13.06"
B Width	3.42"	3.42"	8.42"
Depth	3.42"	3.27"	4.47"

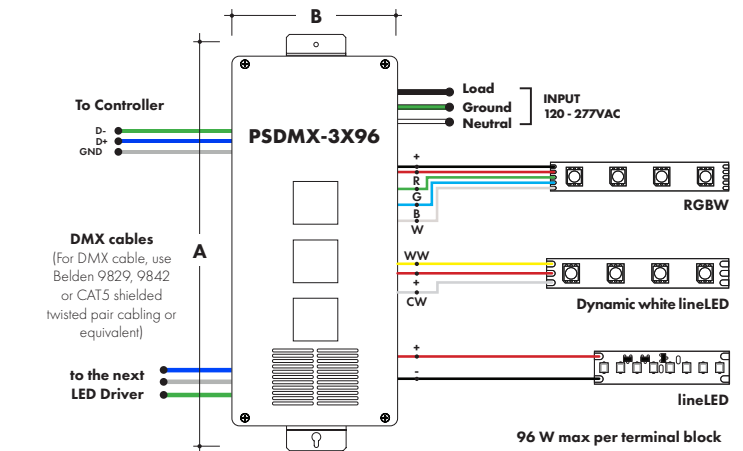
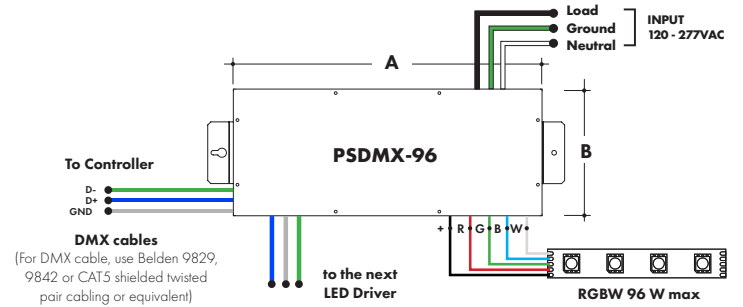


DMX Dimming Power Supplies

MODEL	POWER	OUTPUT
PSDMX	96	24
PSDMX - DMX Power Supply	96 - 96 Watt 3X96 - 3 X 96 Watt	24 - 24 VDC

Features eldoLED's LINEARdrive configurable dimmable drivers

MODELS	96W	3X96
A Length	14.40"	15.75"
B Width	5.20"	6.62"
Depth	2.60"	4.95"



Power Supply

See fixture and power supply instructions & spec sheet for wiring information. Dimming possible in select models - view Luminii website for list of compatible dimmers.

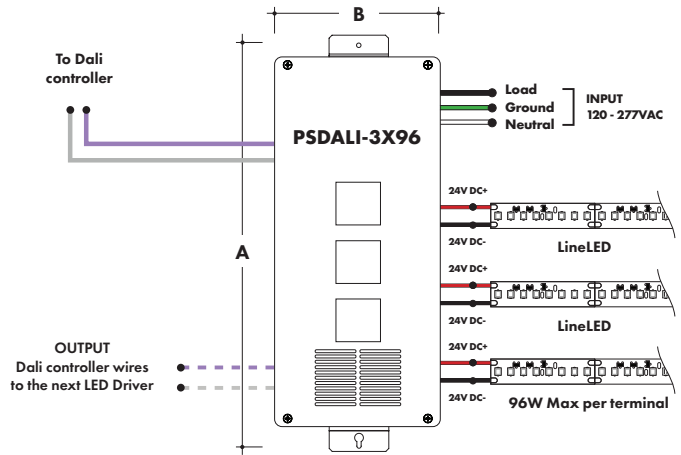
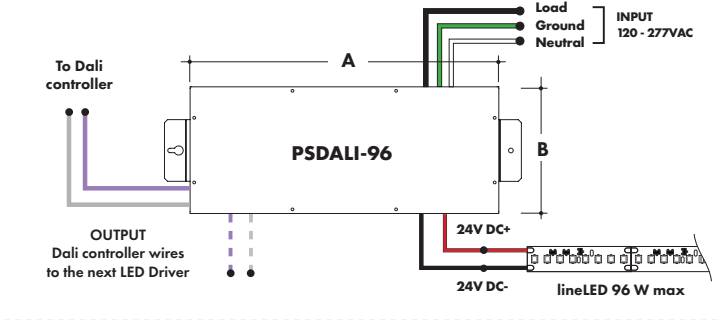
DALI Dimming Power Supplies

MODEL	POWER	OUTPUT
PSDALI	96	24

PSDALI - DALI Power Supply
 dims down to 0%
 96 - 96 Watt
 3X96 - 3 X 96 Watt
 24 - 24 VDC

Features eldoLED's LINEARdrive configurable dimmable drivers

MODELS	96W	3X96
A Length	14.40"	15.75"
B Width	5.20"	6.62"
Depth	2.60"	4.95"

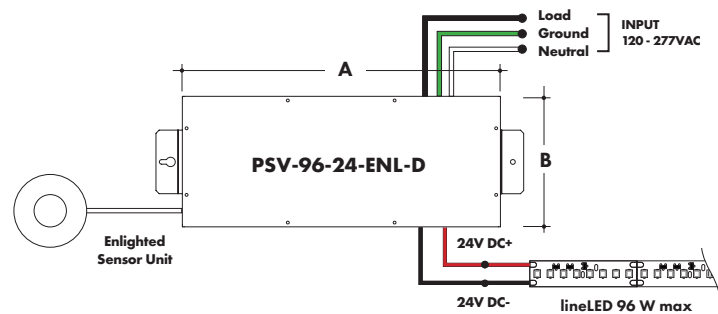


Enlighted Enabled Dimming Power Supplies:

MODEL	POWER	OUTPUT	DIMMING	LOCATION
PSV	96	24	ENL	D

PSV - PSV Series 96 - 96 Watt 24 - 24 VDC ENL - Enlighted Dimming D - Damp

MODELS	96W
A Length	14.40"
B Width	5.20"
Depth	2.60"

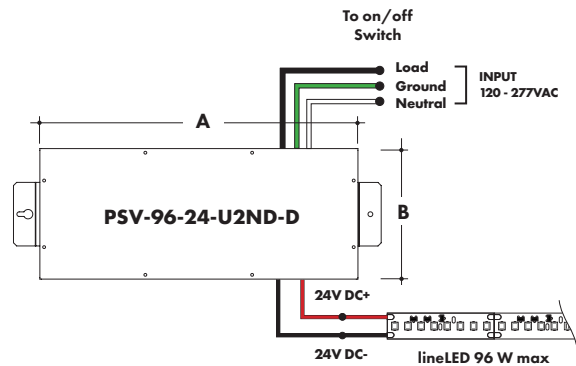


Non-Dimming Power Supply

MODEL	POWER	OUTPUT	DIMMING	LOCATION
PSV	96	24	U2ND	D

PSV - PSV Series 96 - 96 Watt 24 - 24 VDC U2ND - Non Dimming D - Damp

MODELS	96W
A Length	14.40"
B Width	5.20"
Depth	2.60"



Power Supply

See fixture and power supply instructions & spec sheet for wiring information. Dimming possible in select models - view Luminii website for list of compatible dimmers.



Luminii is a Lutron OEM Advantage Partner

MODEL

LTEA4U1UKL-CV240

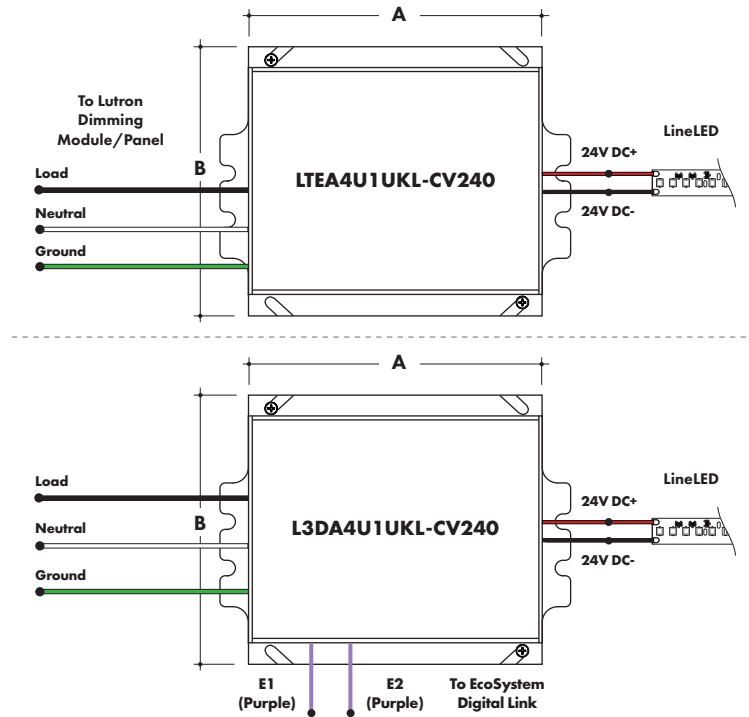
Lutron - HiLume™ 1% 2-wire LED Driver
(120V forward phase only)

MODEL

L3DA4U1UKL-CV240

HiLume™ 1% EcoSystem Voltage LED driver

MODELS	LTEA4U1UKL-CV240	L3DA4U1UKL-CV240
A Length	4.89"	4.98"
B Width	4.00"	4.00"
Depth	2.62"	2.62"



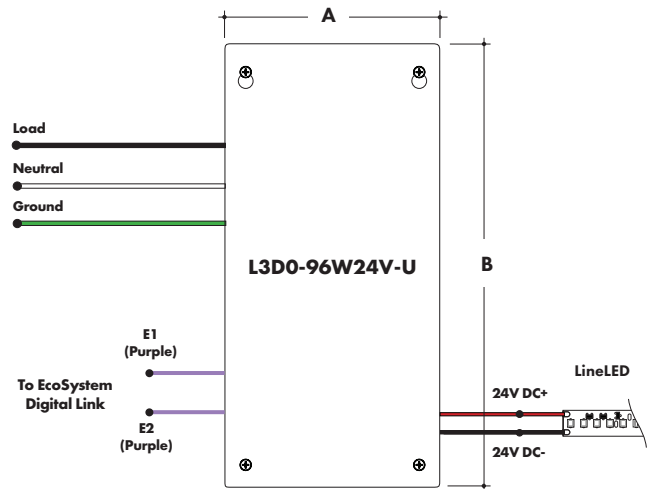
Luminii is a Lutron OEM Advantage Partner

MODEL

L3D0-96W24V-U

HiLume™ 0.1% EcoSystem Voltage LED Driver with Soft-On, Fade-to-Black™

MODELS	L3D0
A Length	10.50"
B Width	5.50"
Depth	2.00"



Power Supply

See fixture and power supply instructions & spec sheet for wiring information. Dimming possible in select models - view Luminii website for list of compatible dimmers.

In ground, Electronic Low Voltage Dimming Power Supplies

MODEL	POWER	OUTPUT	INPUT
IG - CVE	96X2	24	Blank - 120 V 277 - 240/277 V
IG - In ground CVE Series	96X2 - 2 X 96 Watt	24 - 24 VDC	
CVE - ELV Dimming DALI - eldoLED Dali dimming			
Both dims down to 0.1%			

MODELS	Dual Circuit
A Length	8.40"
B Width	8.30"
Depth	8.10"

