

Installation Instructions for Kilo S Square Suspension

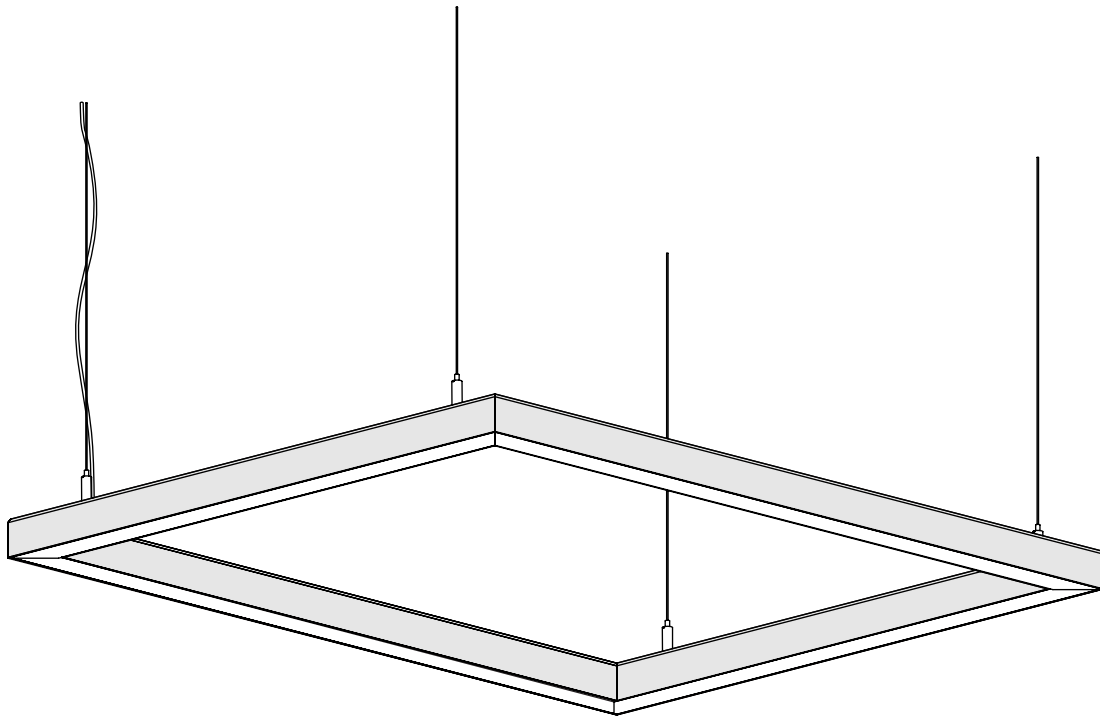
Models: KILOS-SQ -XX



 luminii

7777 N. Merrimac Ave
Niles, IL 60714
T 224.333.6033
F 224.757.7557
info@luminii.com
www.luminii.com

Page 1 of 3



Kilo S Square Suspension - Instruction for center feed installation

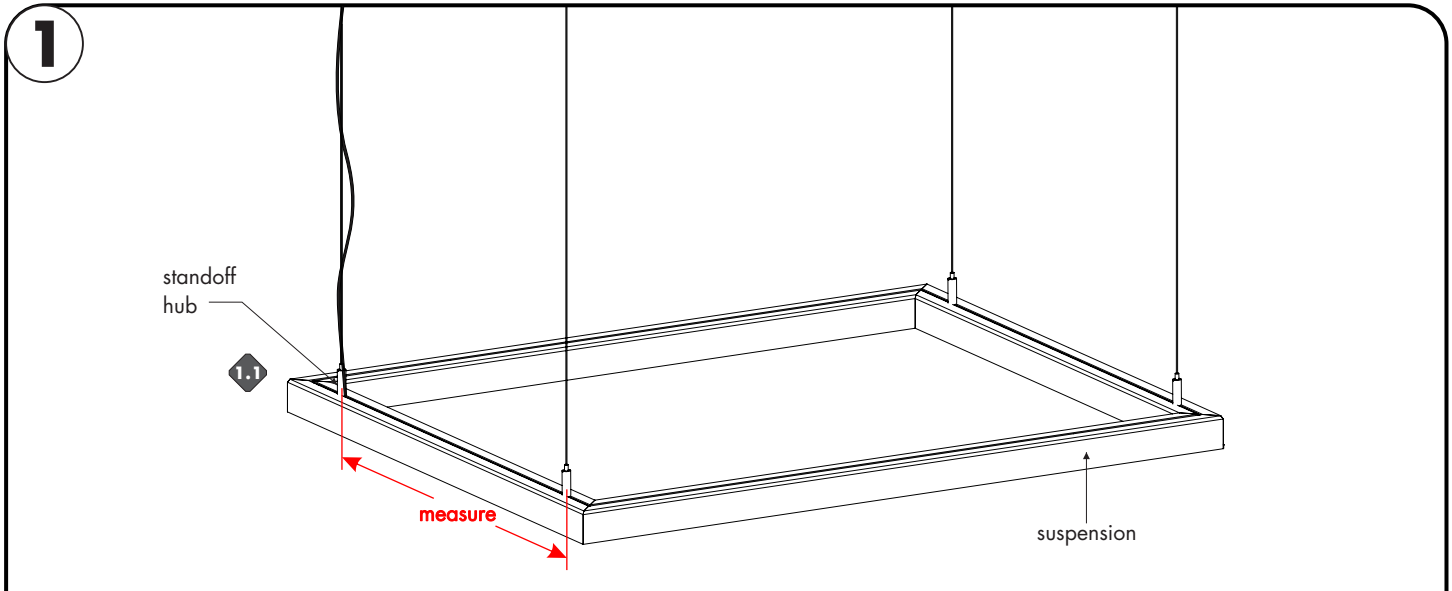
Models: KILOS-SQ-XX



7777 N. Merrimac Ave
Niles, IL 60714
T 224.333.6033
F 224.757.7557
info@luminii.com
www.luminii.com

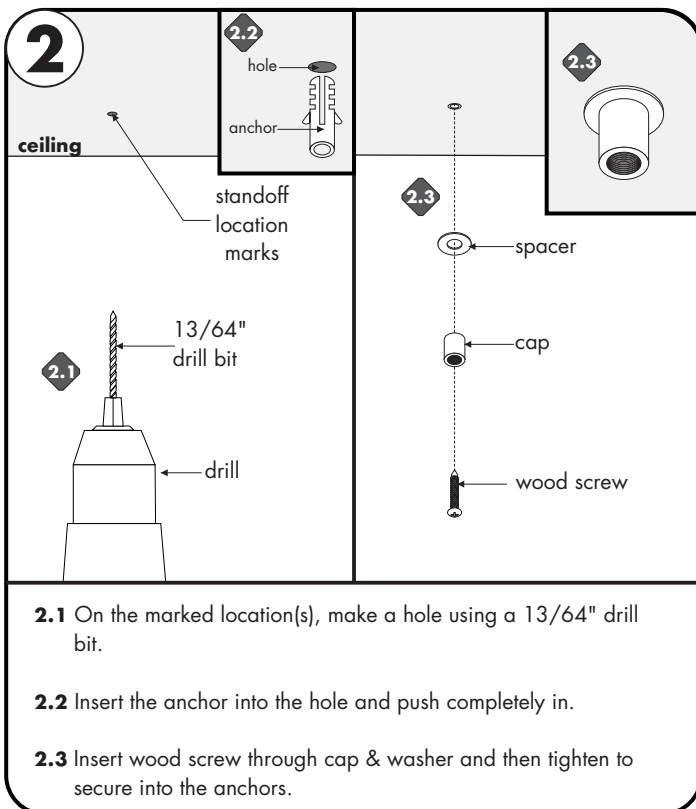
Please read all instructions prior to installation and keep for future reference!

1. Product to be installed by a qualified electrician.
2. Prior to installation ensure power is off at fuse box to prevent electrical shock.
3. Use only with Class 2 power unit. *Utiliser seulement avec la classe 2 unite d'alimentation electrique.*

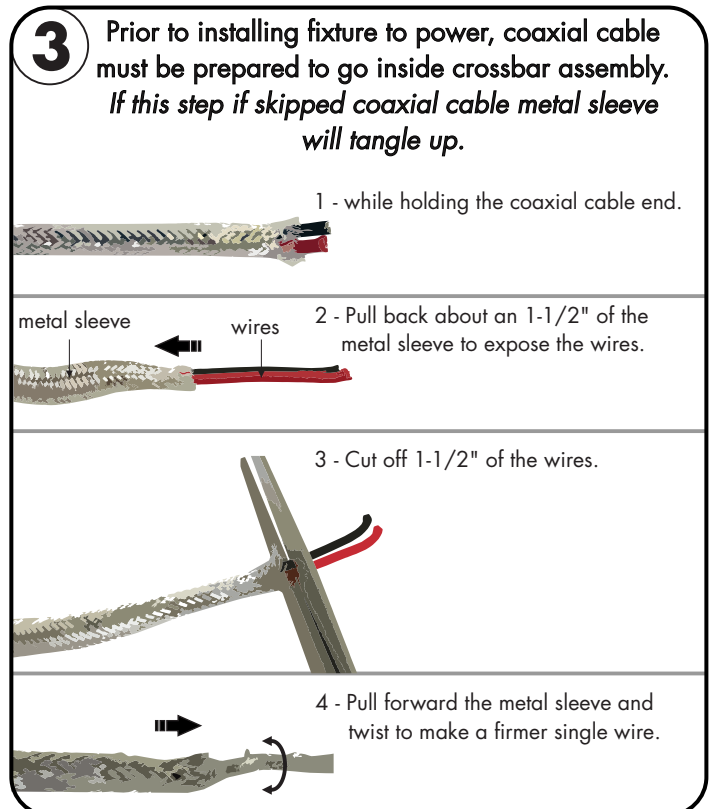


Note: Prior to installation all 24VDC wires must be present in junction box. Refer to the power supply installation instruction for additional information.
Note: More than one person is recommended for this installation.

1.1 Measure the distance between each standoff hub. Then mark the standoff hub positions to the ceiling.



- 2.1 On the marked location(s), make a hole using a 13/64" drill bit.
- 2.2 Insert the anchor into the hole and push completely in.
- 2.3 Insert wood screw through cap & washer and then tighten to secure into the anchors.



3 Prior to installing fixture to power, coaxial cable must be prepared to go inside crossbar assembly. If this step is skipped coaxial cable metal sleeve will tangle up.

1 - while holding the coaxial cable end.

2 - Pull back about an 1-1/2" of the metal sleeve to expose the wires.

3 - Cut off 1-1/2" of the wires.

4 - Pull forward the metal sleeve and twist to make a firmer single wire.

Kilo S Square Suspension - Instruction for center feed installation

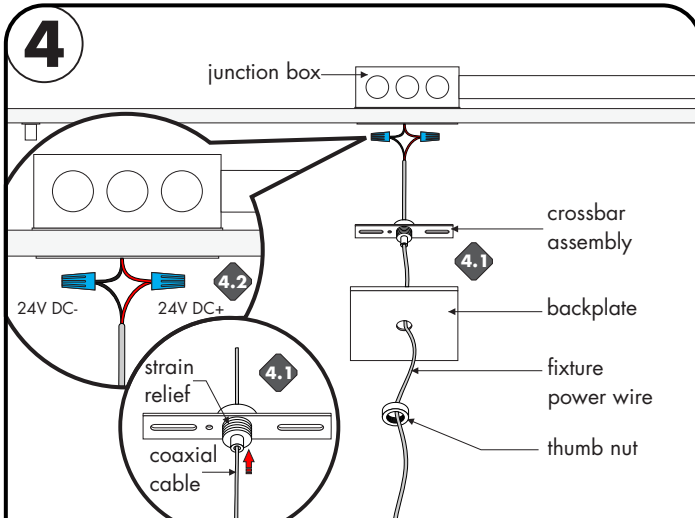
Models: KILOS-SQ-XX



7777 N. Merrimac Ave
Niles, IL 60714
T 224.333.6033
F 224.757.7557
info@luminii.com
www.luminii.com

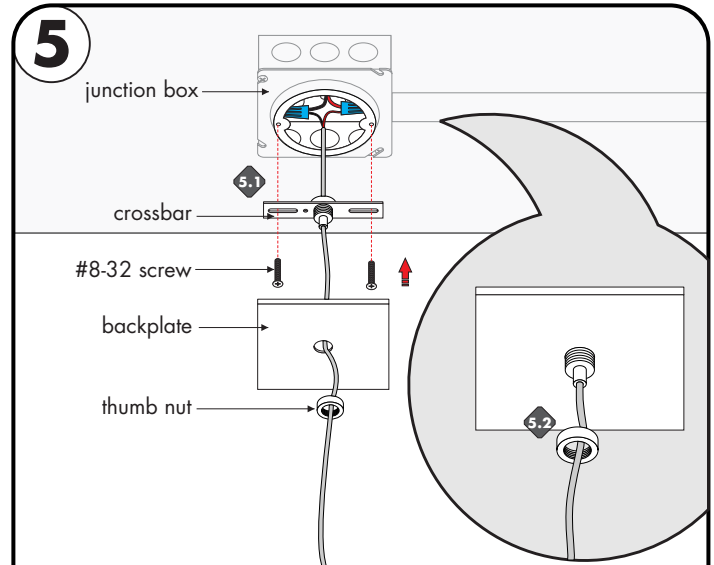
Please read all instructions prior to installation and keep for future reference!

1. Product to be installed by a qualified electrician.
2. Prior to installation ensure power is off at fuse box to prevent electrical shock.
3. Use only with Class 2 power unit. *Utiliser seulement avec la classe 2 unite d'alimentation electrique.*

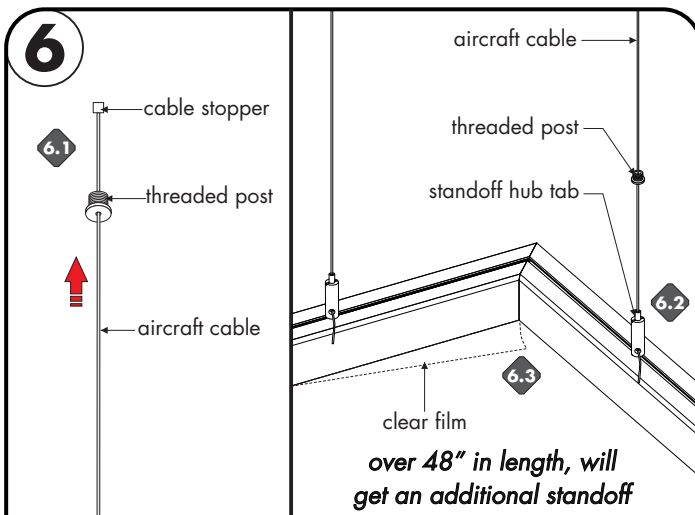


Note: Prior to wiring the desired fixture height must be determined to cut off any un-necessary wire.

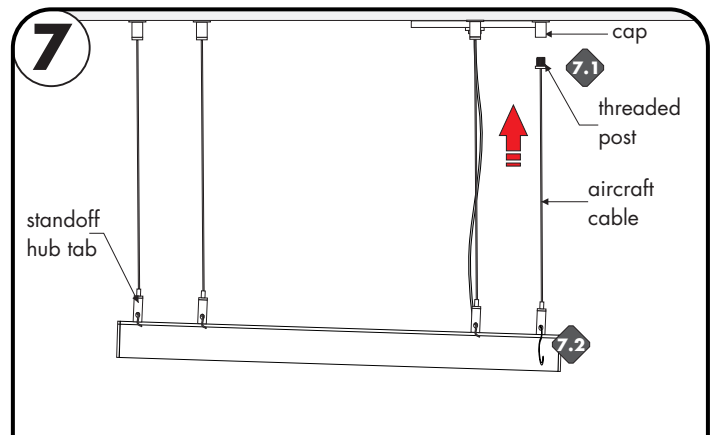
- 4.1 While one person is holding the fixture, the other person can slide the coaxial cable end through the thumb nut, backplate & crossbar assembly.
- 4.2 Peel back the coaxial cable to expose the power wires. Connect the red (24VDC+) & black (24VDC-) power supply wires to the fixture red & black wires.



- 5.1 Insert the wire nut connections into the junction box & align the crossbar to the junction box holes and secure using the provided two #8-32 screw.
- 5.2 Slide the backplate up to the crossbar and secure by hand tightening the thumb nut into the crossbar.



- 6.1 Untangle each aircraft cable and insert into the threaded post until the cable stopper.
- 6.2 Push on the standoff hub tab and feed the aircraft cable into the standoff hub until necessary. Release tab to secure in place.
- 6.3 Remove the clear protective film from the face of the lens.



- 7.1 Tighten each threaded post into a cap. If fixture not leveled, adjustments can be made by pushing on the standoff hub tab. Then either feed more cable into the standoff hub or pull out cable from the standoff hub and release to secure.
- 7.2 Cut off any extra aircraft cable from the standoff hub hole.