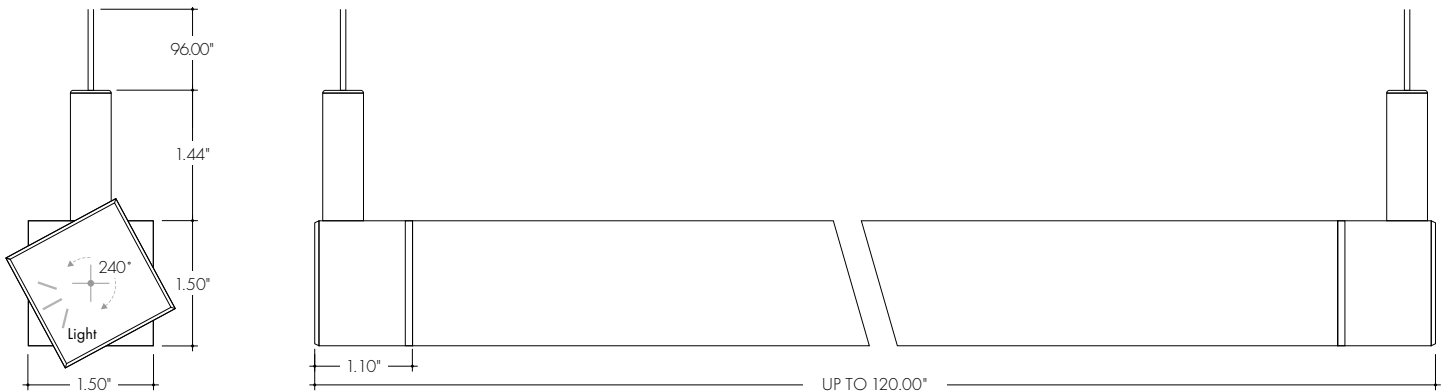


Features

- 24VDC Class 2 fixtures made to order up to 120"
- Dot free even illumination achievable in with frosted lens
- Vibrant colors with R9 values up to 98
- Single micro binned LEDs +/- 30 CCT
- Dims with minimal color shift
- Requires two junction boxes for split output connection
- Class 2 listed for damp locations
- 5 Year warranty
- Finish options
 - Silver anodized
 - Black powder coated
 - Bronze powder coated
 - White powder coated



Technical information

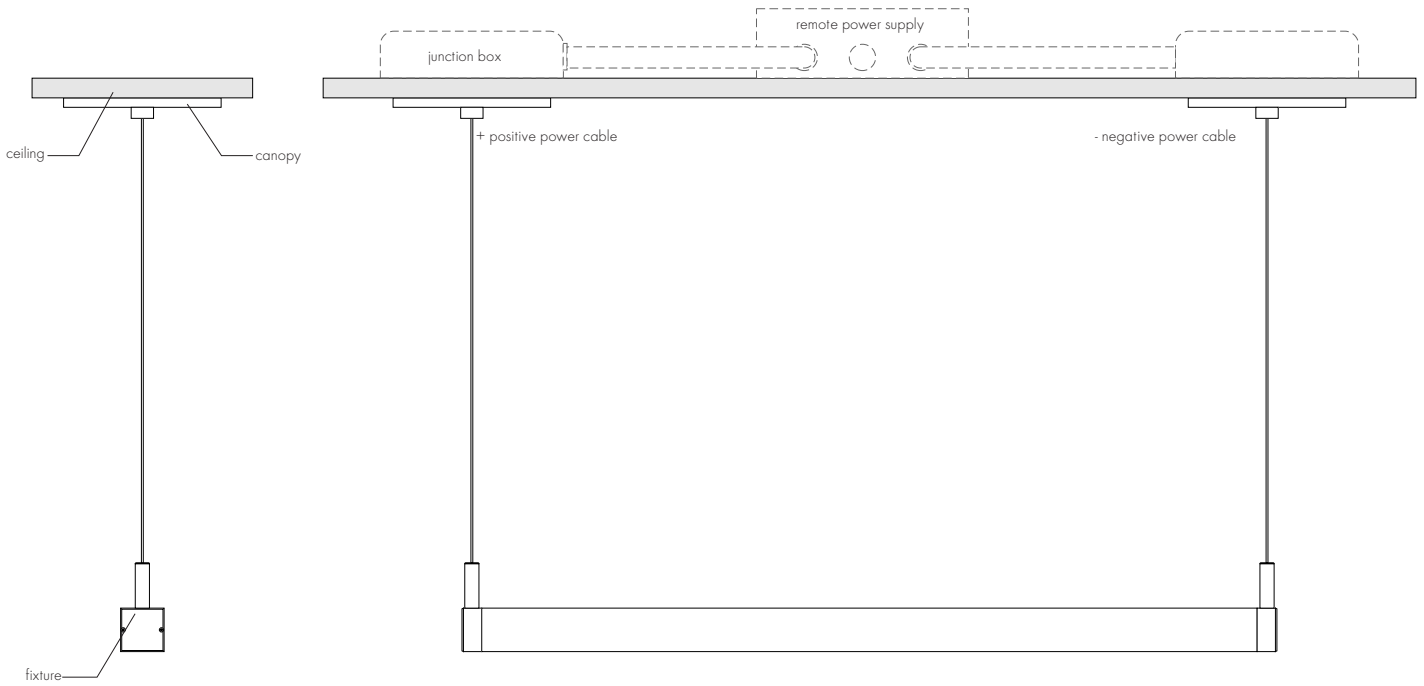
OUTPUT OPTIONS			
Output	Lumens at 3000K (with frosted lens)	Average power consumption at 4'	Lumens / Watt (with frosted lens)
SO (2 X LL36)	306 lm/ft	6.5 W/ft	47 lm/W
MO (2 X LL54)	498 lm/ft	9.7 W/ft	51 lm/W
HO (2 X LL72)	655 lm/ft	12.0 W/ft	55 lm/W

CCT INFO/LUMEN MULTIPLIER		TM-30-15		
Color temperature	Multiplier (reference - 3000K)	CRI	R _f	R _g
1900K	0.63	96	94	97
2200K	0.68	96	95	101
2400K	0.72	98	97	101
2700K	0.76	97	96	101
2900K	0.90	96	93	101
3000K	1.00	97	95	104
3500K	1.05	97	94	105
4100K	1.37	97	90	99

Ordering code

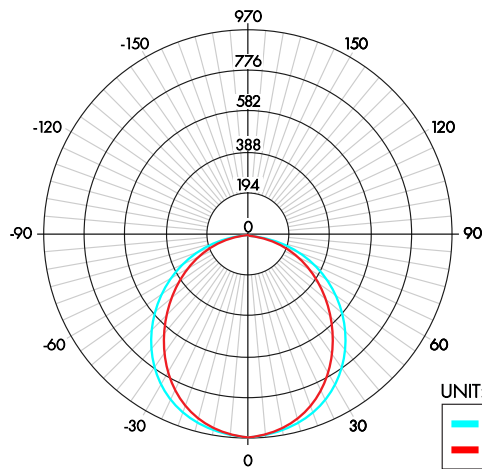
MODEL	MOUNT	ENDCAP	LENGTH	CCT	OUTPUT	LENS	LIGHT DIRECTION	FINISH
KiloS	POA	A	12	19K	SO	FF	U	SA
KiloS - Kilo Suspension	POA - Power over aircraft cable, with 2 round canopy	A - Adjustable endcap	12"-120" 4" increments	19K - 1900K 22K - 2200K 24K - 2400K 27K - 2700K 29K - 2900K 30K - 3000K 35K - 3500K 41K - 4100K	SO - Standard MO - Medium HO - High	FF - Optic Frosted Film	U - Up D - Down	SA - Silver BK - Black BZ - Bronze WH - White <small>(BK, BZ, WH finishes will have an upcharge and require longer lead times)</small>

Product Overview Details



Photometry

KILOS-POA-A-48-30K-HO-FF-XX



Zonal Lumen Summary 3000K

Zone	Lumen	% Fixture
0-30	744	28%
0-40	1211	46%
0-60	2097	80%
0-90	2598	99%
Total 0-180	2621	100%

Beam Angle

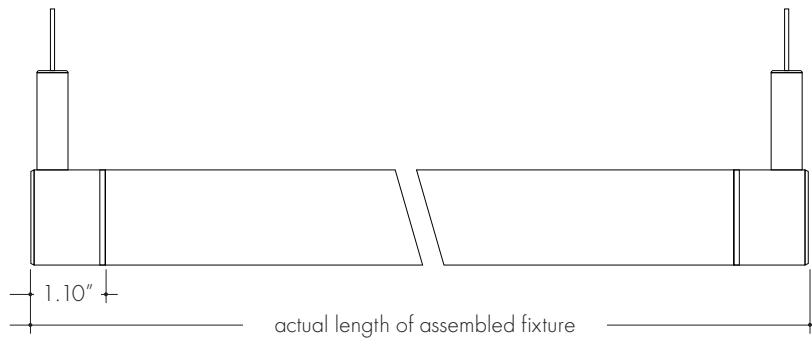


Power consumption per fixture length

Based on operation with PSD series of power supplies.

Nominal Length	SO				MO				HO			
	Rigid Actual length	Adjustable Actual length	W/ft	Total wattage	Rigid Actual length	Adjustable Actual length	W/ft	Total wattage	Rigid Actual length	Adjustable Actual length	W/ft	Total wattage
12"	13-14/16"	14-13/16"	6.50	6.40	13-13/16"	14-12/16"	10.00	9.3	13-13/16"	14-12/16"	13.50	13.50
16"	17-12/16"	18-11/16"	6.50	8.76	17-12/16"	18-11/16"	10.00	12.40	17-11/16"	18-10/16"	13.27	17.50
20"	21-12/16"	22-11/16"	6.50	11.12	21-12/16"	22-11/16"	9.90	15.50	21-11/16"	22-10/16"	13.00	21.50
24"	25-10/16"	26-9/16"	6.50	13.50	25-11/16"	26-10/16"	9.90	18.6	25-10/16"	26-9/16"	12.80	25.60
28"	29-9/16"	30-8/16"	6.50	15.63	29-9/16"	30-8/16"	9.90	21.70	29-9/16"	30-8/16"	12.69	29.50
32"	33-9/16"	34-8/16"	6.50	17.76	33-9/16"	34-8/16"	9.80	24.80	33-8/16"	34-7/16"	12.58	33.4
36"	37-7/16"	38-6/16"	6.50	19.90	37-8/16"	38-7/16"	9.80	27.9	37-7/16"	38-6/16"	12.47	37.40
40"	41-6/16"	42-5/16"	6.50	21.93	41-7/16"	42-6/16"	9.80	30.60	42-6/16"	43-5/16"	12.31	41.00
44"	45-6/16"	46-5/16"	6.40	23.96	45-6/16"	46-5/16"	9.70	33.30	46-5/16"	47-4/16"	12.15	44.60
48"	49-5/16"	50-4/16"	6.40	26.00	49-5/16"	50-4/16"	9.70	36.0	50-4/16"	51-3/16"	12.00	48.30
52"	53-4/16"	54-3/16"	6.40	28.03	54-9/16"	55-8/16"	9.70	41.50	54-3/16"	55-2/16"	11.92	51.10
56"	57-3/16"	58-2/16"	6.40	30.06	58-8/16"	59-7/16"	9.60	47.00	58-2/16"	59-1/16"	11.84	55.90
60"	61-2/16"	62-1/16"	6.40	32.10	62-7/16"	63-6/16"	9.60	52.5	62-1/16"	63 "	11.75	58.70
64"	65-1/16"	66 "	6.40	33.96	66-6/16"	67-5/16"	9.60	54.96	66 "	66-15/16"	11.67	62.60
68"	71 "	71-15/16"	6.30	35.82	70-5/16"	71-4/16"	9.50	57.42	69-15/16"	70-14/16"	11.59	66.50
72"	74-14/16"	75-13/16"	6.30	37.70	74-4/16"	75-3/16"	9.50	59.9	73-14/16"	74-13/16"	11.50	70.50
76"	78-13/16"	79-12/16"	6.30	39.5	78-3/16"	79-2/16"	9.50	62.40	77-13/16"	78-12/16"	11.43	73.40
80"	82-13/16"	83-12/16"	6.30	41.3	82-3/16"	83-2/16"	9.40	64.90	81-12/16"	82-11/16"	11.36	76.30
84"	86-11/16"	87-10/16"	6.30	43.10	86-2/16"	87-1/16"	9.40	67.4	85-11/16"	86-10/16"	11.30	79.10
88"	90-10/16"	91-9/16"	6.30	44.9	90 "	90-15/16"	9.40	70.00	89-10/16"	90-9/16"	11.07	81.00
92"	94-9/16"	95-8/16"	6.20	46.7	93-15/16"	94-14/16"	9.30	72.60	93-9/16"	94-8/16"	10.84	82.90
96"	98-8/16"	99-7/16"	6.20	48.60	97-15/16"	98-14/16"	9.30	75.2				
100"	102-8/16"	103-7/16"	6.20	50.5	101-14/16"	102-13/16"	9.30	77.80				
104"	106-6/16"	107-5/16"	6.10	52.4	105-13/16"	106-12/16"	9.20	80.30				
108"	110-6/16"	111-5/16"	6.10	54.30	109-12/16"	110-11/16"	9.20	82.9				
112"	114-5/16"	115-4/16"	6.10	56.06	113-11/16"	114-10/16"	9.20	84.90				
116"	118-3/16"	119-2/16"	6.10	57.82	117-10/16"	118-9/16"	9.10	86.90				
120"	122-3/16"	123-2/16"	6.10	59.82								

Adjustable endcap Model



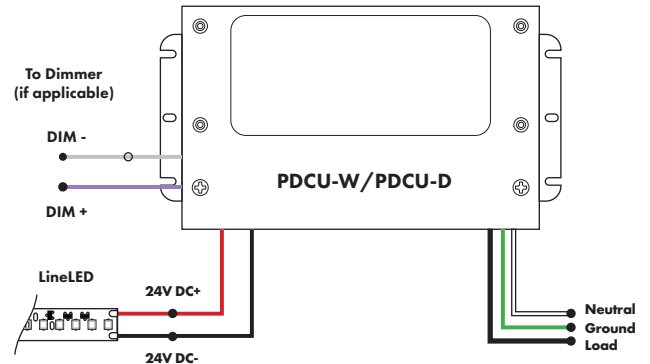
Power Supply

See fixture and power supply instructions & spec sheet for wiring information. Dimming possible in select models - view Luminii website for list of compatible dimmers.

Universal Power Supply

MODEL	POWER	OUTPUT
PDCU-W	96	24
PDCU-W - IP66 Wet Series	96 - 96 W 3X96 - 3X96 W	24 - 24 VDC
PDCU-D - IP20 Dry Series	30 - 30 W 60 - 60 W 96 - 96 W 3X96 - 3X96 W	

0-10V - 1% dimming
MLV/ELV/TRIAC - 1% dimming, consult dimming compatibility chart
Compatibility:
View a complete list of compatible dimmers on product page ([Link](#))

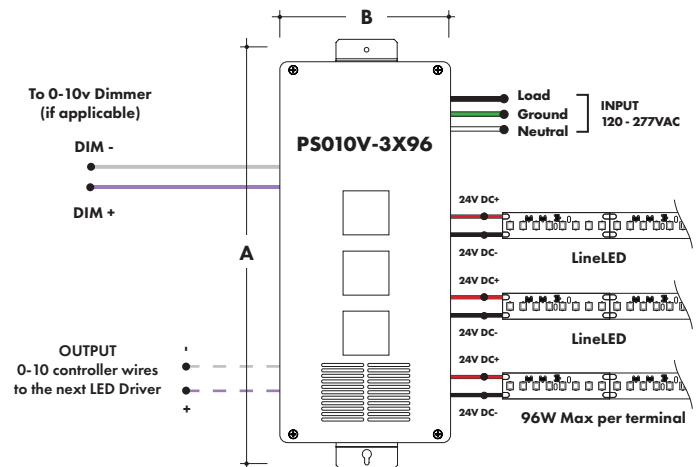
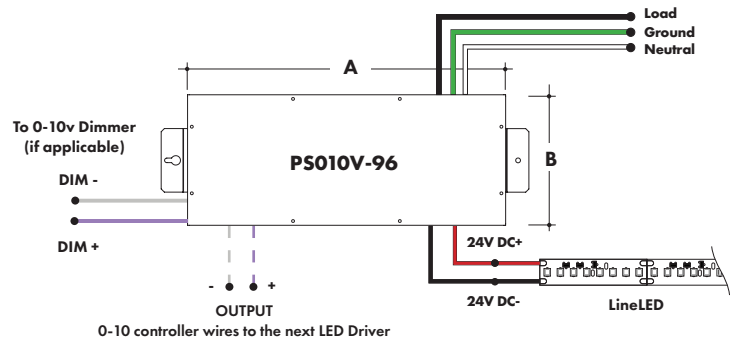


MODELS	PDCU-W 96W	PDCU-W 3X96W	PDCU-D 30W	PDCU-D 60W	PDCU-D 96W	PDCU-D 3X96W
A Length	8.66"	11.85"	6.10"	7.93"	8.25"	9.57"
B Width	3.73"	4.32"	3.35"	3.35"	4.10"	5.94"
Depth	1.61"	1.81"	1.33"	1.32"	1.56"	1.13"

0-10V Dimming Power Supplies

MODEL	POWER	OUTPUT	DIMMING
PS010V	96	24	LIN
PS010V - 0-10V Power Supply dims down to 0%	96 - 96 Watt 3X96 - 3 X 96 Watt	24 - 24 VDC	LIN - Linear LOG - Logarithmic

MODELS	96W	3X96
A Length	14.40"	15.75"
B Width	5.20"	6.62"
Depth	2.60"	4.95"



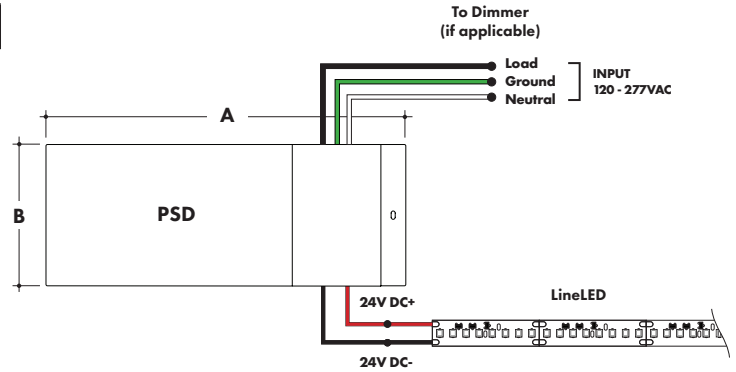
Power Supply

See fixture and power supply instructions & spec sheet for wiring information. Dimming possible in select models - view Luminii website for list of compatible dimmers.

Magnetic Low Voltage Dimming Power Supplies

MODEL	POWER	OUTPUT	INPUT
PSD	48	24	
PSD - PSD Series dims down to 0%	48 - 48 Watt 96 - 96 Watt 288 - 288 Watt (3 x 96Watt)	24 - 24 VDC	Blank - 120 V 240 - 240 V 277 - 277 V

MODELS	48W	96W	288W
A Length	11.25"	11.25"	13.06"
B Width	3.42"	3.42"	8.42"
Depth	3.42"	3.27"	4.47"

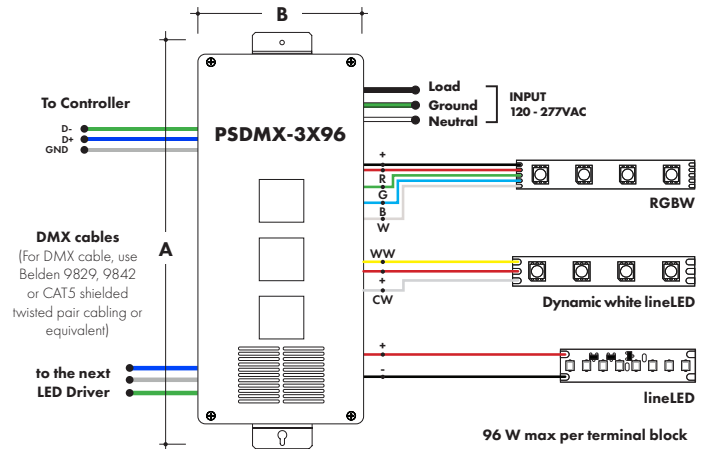
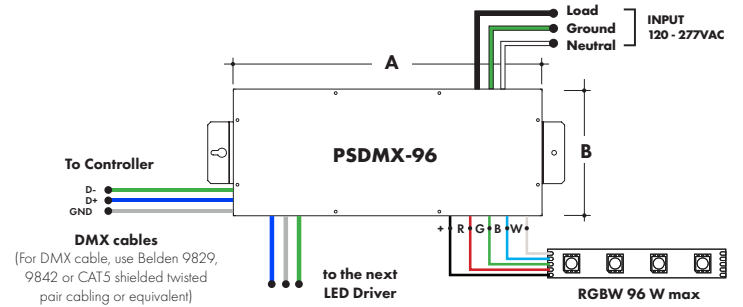


DMX Dimming Power Supplies

MODEL	POWER	OUTPUT
PSDMX	96	24
PSDMX - DMX Power Supply	96 - 96 Watt 3X96 - 3 X 96 Watt	24 - 24 VDC

Features eldoLED's LINEARdrive configurable dimmable drivers

MODELS	96W	3X96
A Length	14.40"	15.75"
B Width	5.20"	6.62"
Depth	2.60"	4.95"



Power Supply

See fixture and power supply instructions & spec sheet for wiring information. Dimming possible in select models - view Luminii website for list of compatible dimmers.

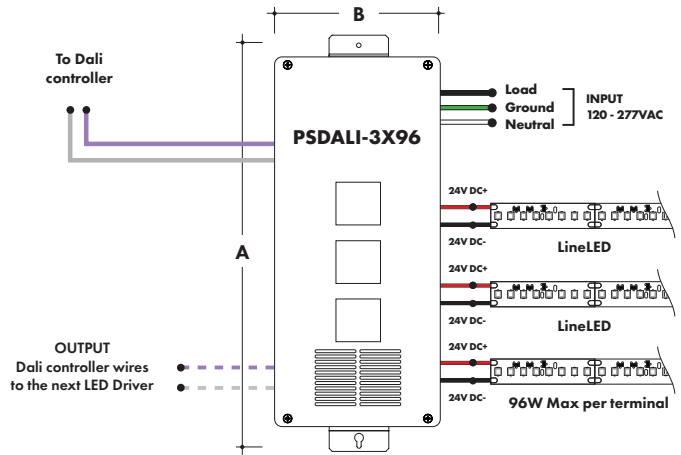
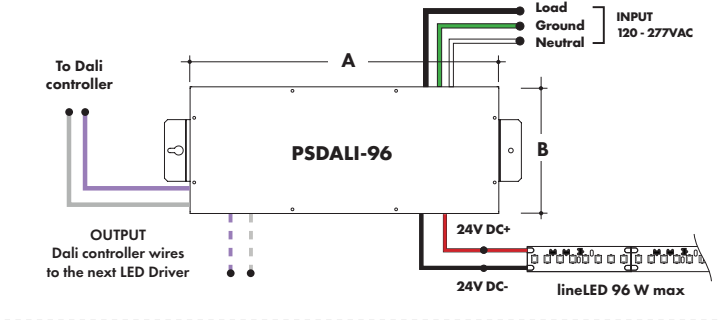
DALI Dimming Power Supplies

MODEL	POWER	OUTPUT
PSDALI	96	24

PSDALI - DALI Power Supply
dims down to 0%
96 - 96 Watt
3X96 - 3 X 96 Watt
24 - 24 VDC

Features eldoLED's LINEARdrive configurable dimmable drivers

MODELS	96W	3X96
A Length	14.40"	15.75"
B Width	5.20"	6.62"
Depth	2.60"	4.95"

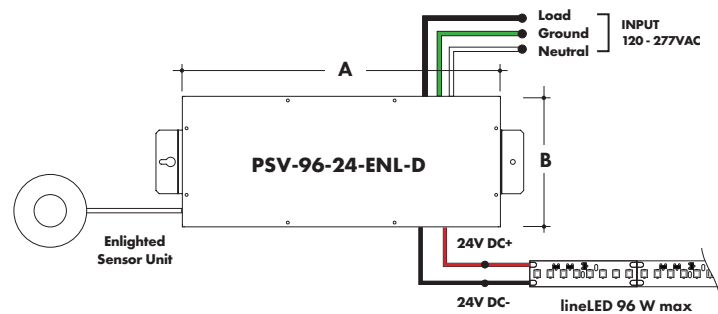


Enlighted Enabled Dimming Power Supplies:

MODEL	POWER	OUTPUT	DIMMING	LOCATION
PSV	96	24	ENL	D

PSV - PSV Series 96 - 96 Watt 24 - 24 VDC ENL - Enlighted Dimming D - Damp

MODELS	96W
A Length	14.40"
B Width	5.20"
Depth	2.60"

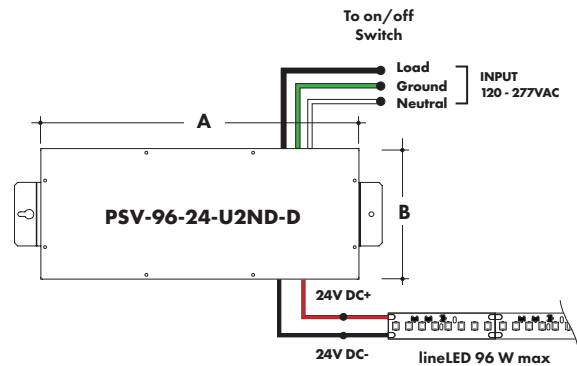


Non-Dimming Power Supply

MODEL	POWER	OUTPUT	DIMMING	LOCATION
PSV	96	24	U2ND	D

PSV - PSV Series 96 - 96 Watt 24 - 24 VDC U2ND - Non Dimming D - Damp

MODELS	96W
A Length	14.40"
B Width	5.20"
Depth	2.60"



Power Supply

See fixture and power supply instructions & spec sheet for wiring information. Dimming possible in select models - view Luminii website for list of compatible dimmers.



Luminii is a Lutron OEM Advantage Partner

MODEL

LTEA4U1UKL-CV240

Lutron - HiLume™ 1% 2-wire LED Driver

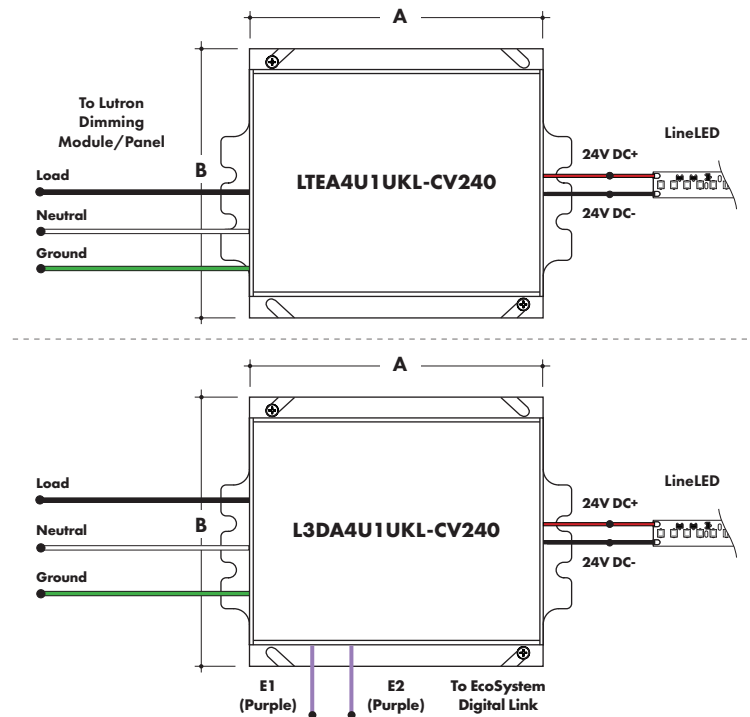
(120V forward phase only)

MODEL

L3DA4U1UKL-CV240

HiLume™ 1% EcoSystem Voltage LED driver

MODELS	LTEA4U1UKL-CV240	L3DA4U1UKL-CV240
A Length	4.89"	4.98"
B Width	4.00"	4.00"
Depth	2.62"	2.62"



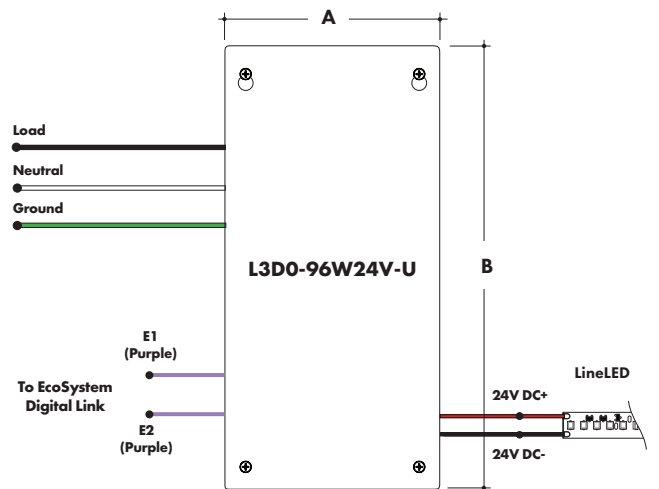
Luminii is a Lutron OEM Advantage Partner

MODEL

L3D0-96W24V-U

HiLume™ 0.1% EcoSystem Voltage LED Driver with Soft-On, Fade-to-Black™

MODELS	L3D0
A Length	10.50"
B Width	5.50"
Depth	2.00"



Power Supply

See fixture and power supply instructions & spec sheet for wiring information. Dimming possible in select models - view Luminii website for list of compatible dimmers.

In ground, Electronic Low Voltage Dimming Power Supplies

MODEL	POWER	OUTPUT	INPUT
IG - CVE	96X2	24	
IG - In ground CVE Series CVE - ELV Dimming DALI - eldoLED Dali dimming Both dims down to 0.1%	96X2 - 2 X 96 Watt	24 - 24 VDC	Blank - 120 V 277 - 240/277 V

MODELS	Dual Circuit
A Length	8.40"
B Width	8.30"
Depth	8.10"

