

Features

- Efficacy up to 92 lm/w - a 57% increase over the standard Kilo model
- 24VDC Class 2 fixtures made to order up to 144"
- Comes with 8ft silver adjustable cable and white finish canopy
- Dot free even illumination achievable in with frosted lens
- Vibrant colors with R9 values up to 98
- Single micro binned LEDs +/- 30 CCT
- Dims with minimal color shift
- Class 2 listed for damp locations
- 5 Year warranty



Finish options

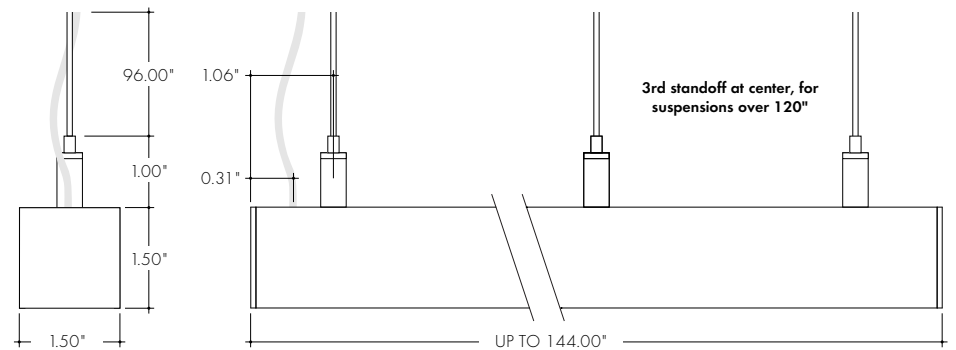
Product dimensions



IC RATED



RoHS



additional Kilo Suspension Fixture details on page 2

Technical information

OUTPUT OPTIONS			
Output	Lumens at 3000K (with frosted lens)	Average power consumption at 4'	Lumens / Watt (with frosted lens)
LO (2 X LL48HE-LO)	354 lm/ft	4.0 W/ft	89 lm/W
SO (2 X LL48HE-SO)	485 lm/ft	5.3 W/ft	92 LM/W
MO (2 X LL48HE-MO)	641 lm/ft	7.0 W/ft	92 LM/W
HO (2 X LL48HE-HO)	989 lm/ft	11.2 W/ft	88 lm/W

CCT INFO/LUMEN MULTIPLIER		TM-30-15		
Color temperature	Multiplier (reference - 3000K)	CRI	R <sub>f</sub>	R <sub>g</sub>
2700K	0.94	92	90	99
3000K	1.00	92	89	99
3500K	1.02	92	89	99
4000K	1.02	92	86	94

Ordering code

MODEL	LENGTH	CCT	OUTPUT	LENS	FINISH	POWER FEED
KiloS - HE	12	27K	LO	FF	SA	CF

KiloS - Kilo Suspension HE - High Efficacy 12"-144" - 4" increments 27K - 2700K 30K - 3000K 35K - 3500K 40K - 4000K LO - Low SO - Standard MO - Medium \*HO - High FF - Optic Frosted Film SA - Silver BK - Black BZ - Bronze WH - White CF - Center feed SF - Side feed

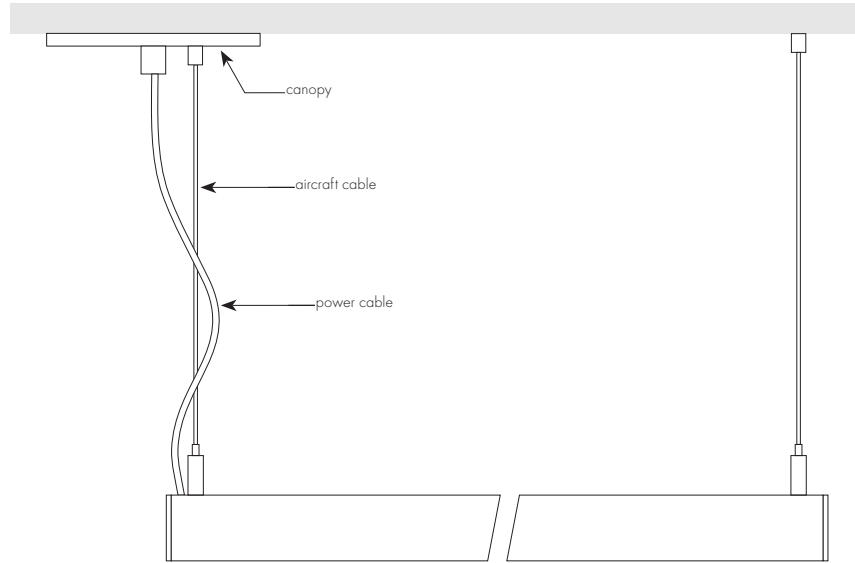
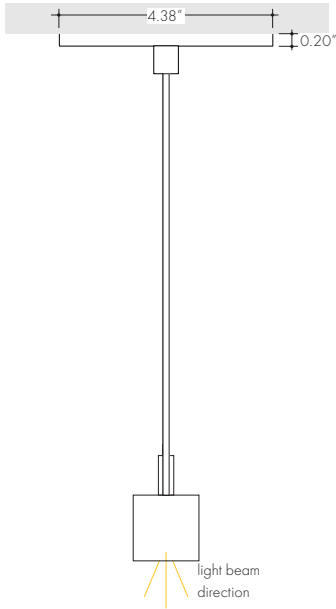
(CRL - Continuous roll lens up to 200', using a single lens. The fixture body is comprised of sections up to 12' in length as determined by shop drawings)

(BK, BZ, WH finishes will have an upcharge and require longer lead times)

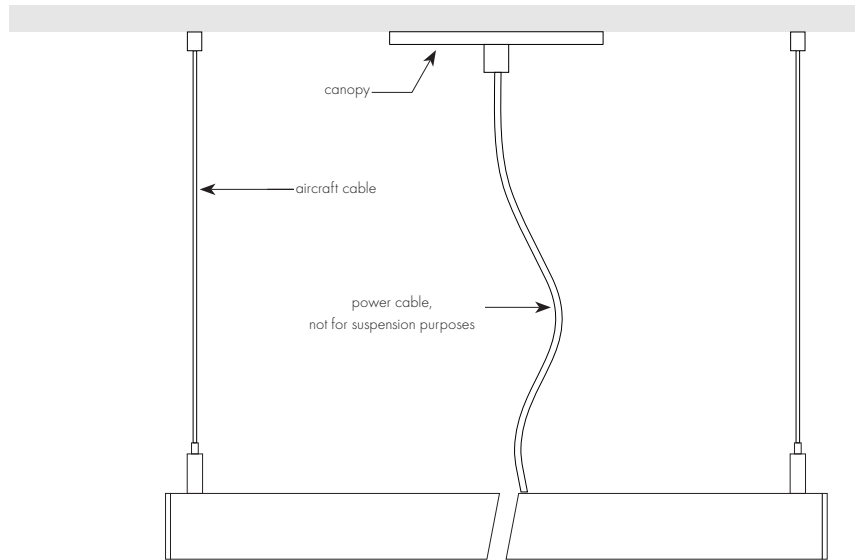
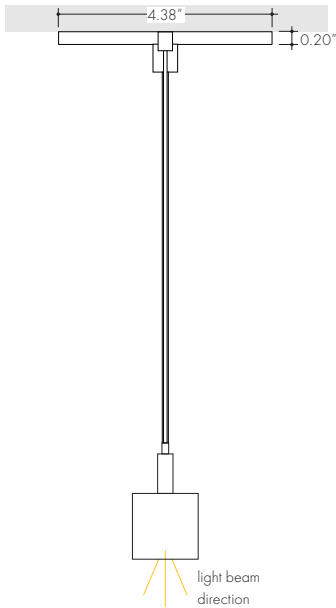
\*Reference power consumption chart on page 3, to not overload the system wattage

Product Details

Kilo S with side feed canopy

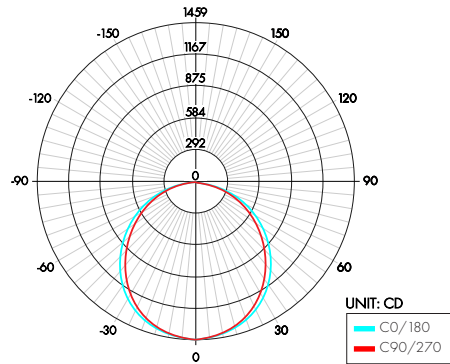


Kilo S with center feed canopy



Photometry

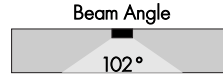
KILOS-HE-48-30K-HO-FF-XX



Zonal Lumen Summary 3000K

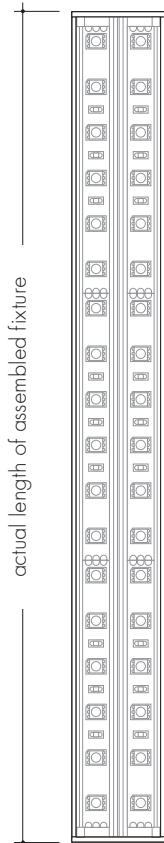
Zone	Lumen	% Fixture
0-30	1121	28%
0-40	1825	46%
0-60	3171	80%
0-90	3925	99%
0-180	3956	100%

Total



Power consumption per fixture length

Based on operation with PSD series of power supplies



Length		LO		SO		MO		HO	
Nominal	Actual	W/ft	Total wattage	W/ft	Total wattage	W/ft	Total wattage	W/ft	Total wattage
12"	12-12/16"	4.00	4.00	5.58	5.58	7.40	7.40	11.80	11.80
16"	16-11/16"	4.00	5.34	5.58	7.44	7.40	9.80	11.82	15.76
20"	20-10/16"	4.00	6.66	5.58	9.30	7.40	12.20	11.83	19.72
24"	24-9/16"	4.00	8.00	5.58	11.16	7.40	14.80	11.84	23.68
28"	28-8/16"	4.00	9.34	5.89	13.02	7.40	17.26	11.82	27.62
32"	32-7/16"	4.00	10.67	6.20	15.82	7.40	19.66	11.81	31.56
36"	36-6/16"	4.00	12.00	6.52	19.56	7.40	22.20	11.80	35.50
40"	40-5/16"	4.00	13.32	6.44	21.40	7.40	24.66	11.82	39.48
44"	44-4/16"	4.00	13.33	6.36	23.25	7.40	27.12	11.84	43.46
48"	48-3/16"	4.00	14.67	6.28	25.10	7.40	29.60	11.86	47.44
52"	52-2/16"	4.00	17.37	6.24	27.90	7.40	32.06	11.86	51.40
56"	56-1/16"	4.00	18.67	6.20	28.85	7.40	34.52	11.86	55.36
60"	60 "	4.00	20.00	6.15	30.75	7.40	37.00	11.86	59.32
64"	65-14/16"	4.00	21.34	6.10	32.65	7.40	39.46	11.86	63.28
68"	69-13/16"	4.00	22.67	6.06	34.55	7.40	41.92	11.87	67.24
72"	73-12/16"	4.00	24.00	6.01	36.45	7.40	44.40	11.87	71.20
76"	77-11/16"	4.00	25.34	6.13	40.96	7.40	46.86	11.86	75.06
80"	81-11/16"	4.00	26.74	6.27	42.80	7.40	49.32	11.85	78.92
84"	85-9/16"	4.00	28.00	6.38	44.64	7.40	51.80	11.83	82.80
88"	89-8/16"	4.00	29.34	6.35	46.50	7.40	54.26	11.84	86.80
92"	93-7/16"	4.00	30.74	6.32	48.36	7.40	56.72	11.85	90.80
96"	97-6/16"	4.00	32.00	6.28	50.20	7.40	59.20	11.86	94.90
100"	101-6/16"	4.00	33.34	6.25	52.06	7.42	61.86		
104"	105-4/16"	4.00	34.74	6.23	53.92	7.44	64.52		
108"	109-3/16"	4.00	36.00	6.20	55.80	7.47	67.20		
112"	113-2/16"	4.00	37.34	6.18	57.70	7.49	69.86		
116"	117-1/16"	4.00	19.37	6.17	59.60	7.50	72.52		
120"	121-1/16"	4.00	40.00	6.15	61.50	7.52	75.20		
124"	124-15/16"	4.00	41.34	6.13	63.40	7.51	77.60		
128"	128-14/16"	4.00	42.68	6.12	65.30	7.50	80.00		
132"	132-13/16"	4.00	44.00	6.10	67.20	7.49	82.40		
136"	136-13/16"	4.00	45.34	6.10	69.10	7.46	84.80		
140"	140-12/16"	4.00	46.68	6.10	71.00	7.44	87.20		
144"	144-10/16"	4.00	48.00	6.10	72.90	7.41	89.06		

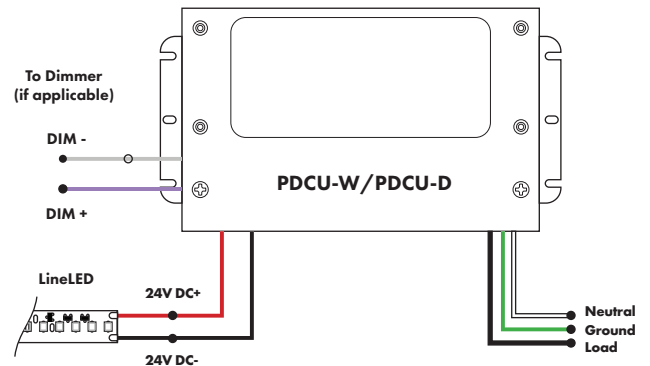
## Power Supply

See fixture and power supply instructions & spec sheet for wiring information. Dimming possible in select models - view Luminii website for list of compatible dimmers.

### Universal Power Supply

MODEL	POWER	OUTPUT
<b>PDCU-W</b>	<b>96</b>	<b>24</b>
PDCU-W - IP66 Wet Series	96 - 96 W 3X96 - 3X96 W	24 - 24 VDC
PDCU-D - IP20 Dry Series	30 - 30 W 60 - 60 W 96 - 96 W 3X96 - 3X96 W	

0-10V - 1% dimming  
MLV/ELV/TRIAC - 1% dimming, consult dimming compatibility chart  
Compatibility:  
View a complete list of compatible dimmers on product page ([Link](#))

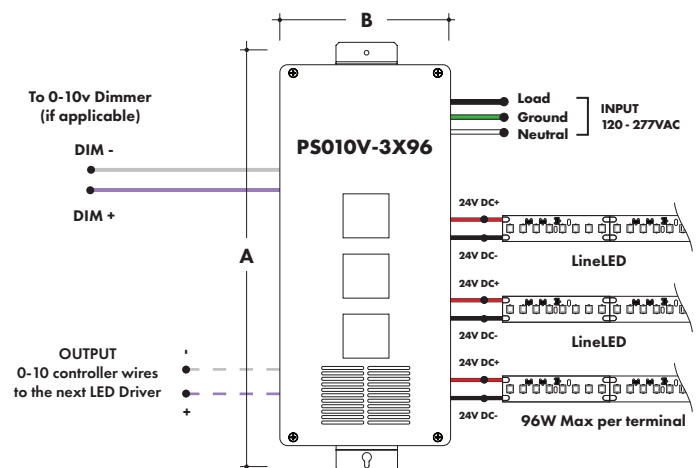
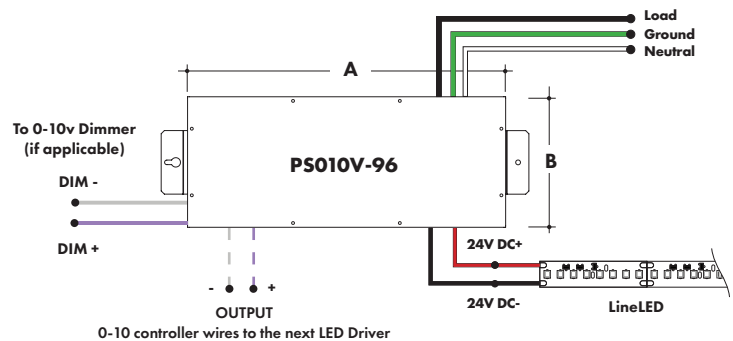


MODELS	PDCU-W 96W	PDCU-W 3X96W	PDCU-D 30W	PDCU-D 60W	PDCU-D 96W	PDCU-D 3X96W
<b>A Length</b>	8.66"	11.85"	6.10"	7.93"	8.25"	9.57"
<b>B Width</b>	3.73"	4.32"	3.35"	3.35"	4.10"	5.94"
<b>Depth</b>	1.61"	1.81"	1.33"	1.32"	1.56"	1.13"

### 0-10V Dimming Power Supplies

MODEL	POWER	OUTPUT	DIMMING
<b>PS010V</b>	<b>96</b>	<b>24</b>	<b>LIN</b>
PS010V - 0-10V Power Supply dims down to 0%	96 - 96 Watt 3X96 - 3 X 96 Watt	24 - 24 VDC	LIN - Linear LOG - Logarithmic

MODELS	96W	3X96
<b>A Length</b>	14.40"	15.75"
<b>B Width</b>	5.20"	6.62"
<b>Depth</b>	2.60"	4.95"



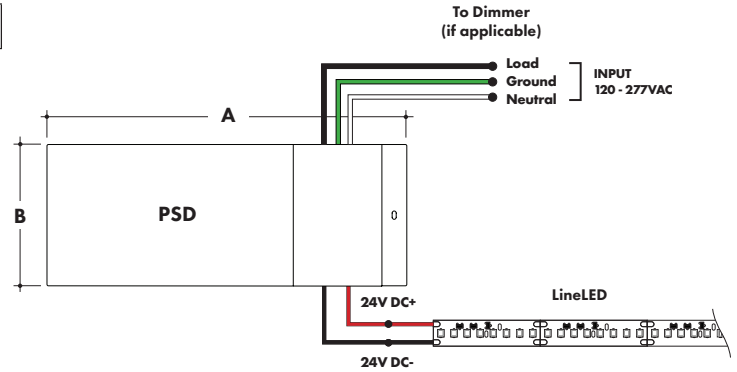
## Power Supply

See fixture and power supply instructions & spec sheet for wiring information. Dimming possible in select models - view Luminii website for list of compatible dimmers.

### Magnetic Low Voltage Dimming Power Supplies

MODEL	POWER	OUTPUT	INPUT
<b>PSD</b>	<b>48</b>	<b>24</b>	
PSD - PSD Series dims down to 0%	48 - 48 Watt 96 - 96 Watt 288 - 288 Watt (3 x 96Watt)	24 - 24 VDC	Blank - 120 V 240 - 240 V 277 - 277 V

MODELS	48W	96W	288W
<b>A Length</b>	11.25"	11.25"	13.06"
<b>B Width</b>	3.42"	3.42"	8.42"
<b>Depth</b>	3.42"	3.27"	4.47"

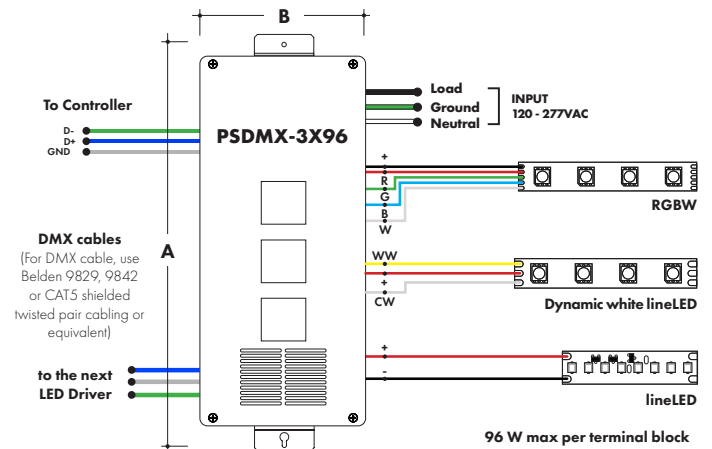
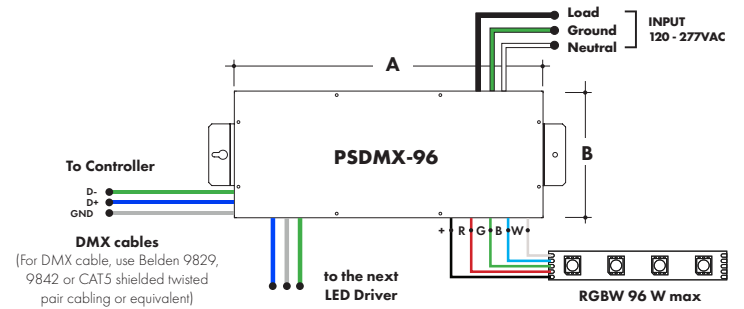


### DMX Dimming Power Supplies

MODEL	POWER	OUTPUT
<b>PSDMX</b>	<b>96</b>	<b>24</b>
PSDMX - DMX Power Supply	96 - 96 Watt 3X96 - 3 X 96 Watt	24 - 24 VDC

Features eldoLED's LINEARdrive configurable dimmable drivers

MODELS	96W	3X96
<b>A Length</b>	14.40"	15.75"
<b>B Width</b>	5.20"	6.62"
<b>Depth</b>	2.60"	4.95"



## Power Supply

See fixture and power supply instructions & spec sheet for wiring information. Dimming possible in select models - view Luminii website for list of compatible dimmers.

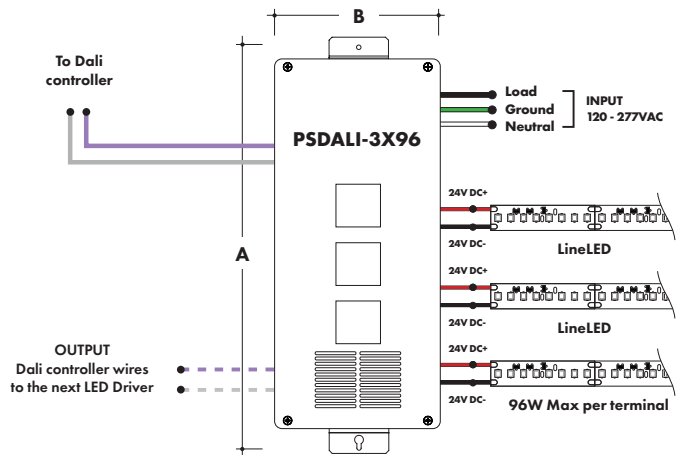
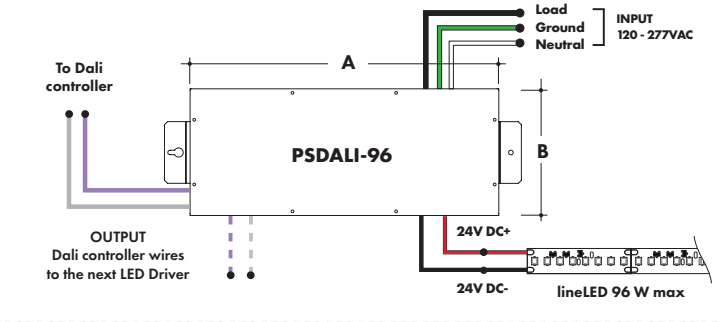
### DALI Dimming Power Supplies

MODEL	POWER	OUTPUT
<b>PSDALI</b>	<b>96</b>	<b>24</b>

PSDALI - DALI Power Supply  
dims down to 0%  
96 - 96 Watt  
3X96 - 3 X 96 Watt  
24 - 24 VDC

Features eldoLED's LINEARdrive configurable dimmable drivers

MODELS	96W	3X96
<b>A Length</b>	14.40"	15.75"
<b>B Width</b>	5.20"	6.62"
<b>Depth</b>	2.60"	4.95"

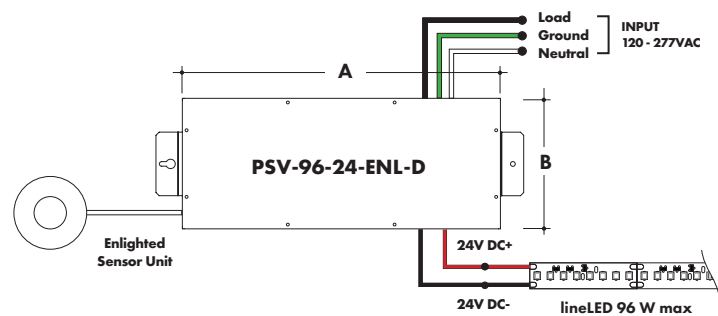


### Enlighted Enabled Dimming Power Supplies:

MODEL	POWER	OUTPUT	DIMMING	LOCATION
<b>PSV</b>	<b>96</b>	<b>24</b>	<b>ENL</b>	<b>D</b>

PSV - PSV Series 96 - 96 Watt 24 - 24 VDC ENL - Enlighted Dimming D - Damp

MODELS	96W
<b>A Length</b>	14.40"
<b>B Width</b>	5.20"
<b>Depth</b>	2.60"

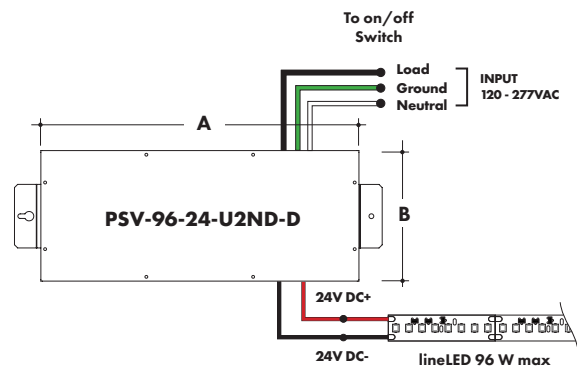


### Non-Dimming Power Supply

MODEL	POWER	OUTPUT	DIMMING	LOCATION
<b>PSV</b>	<b>96</b>	<b>24</b>	<b>U2ND</b>	<b>D</b>

PSV - PSV Series 96 - 96 Watt 24 - 24 VDC U2ND - Non Dimming D - Damp

MODELS	96W
<b>A Length</b>	14.40"
<b>B Width</b>	5.20"
<b>Depth</b>	2.60"



**Power Supply**

See fixture and power supply instructions & spec sheet for wiring information. Dimming possible in select models - view Luminii website for list of compatible dimmers.



Luminii is a Lutron OEM Advantage Partner

MODEL

**LTEA4U1UKL-CV240**

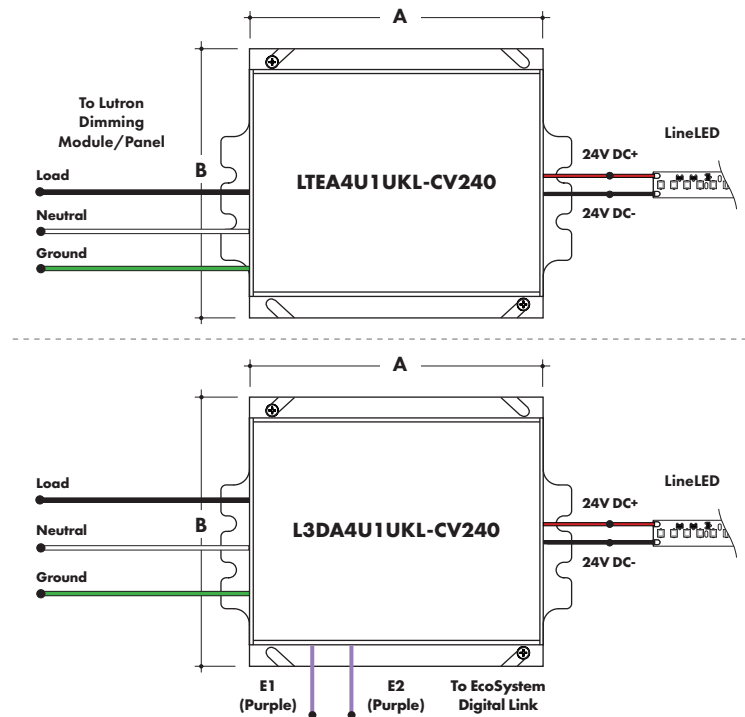
Lutron - HiLume™ 1% 2-wire LED Driver  
(120V forward phase only)

MODEL

**L3DA4U1UKL-CV240**

HiLume™ 1% EcoSystem Voltage LED driver

MODELS	LTEA4U1UKL-CV240	L3DA4U1UKL-CV240
<b>A Length</b>	4.89"	4.98"
<b>B Width</b>	4.00"	4.00"
<b>Depth</b>	2.62"	2.62"



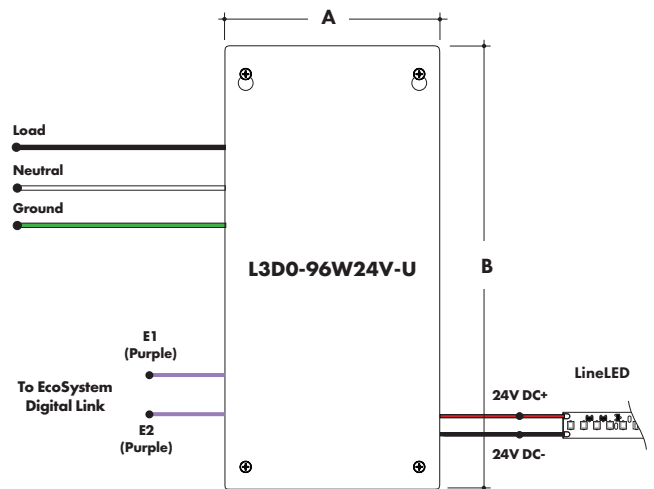
Luminii is a Lutron OEM Advantage Partner

MODEL

**L3D0-96W24V-U**

HiLume™ 0.1% EcoSystem Voltage LED Driver with Soft-On, Fade-to-Black™

MODELS	L3D0
<b>A Length</b>	10.50"
<b>B Width</b>	5.50"
<b>Depth</b>	2.00"



**Power Supply**

See fixture and power supply instructions & spec sheet for wiring information. Dimming possible in select models - view Luminii website for list of compatible dimmers.

**In ground, Electronic Low Voltage Dimming Power Supplies**

MODEL	POWER	OUTPUT	INPUT
<b>IG</b> - CVE	<b>96X2</b>	<b>24</b>	Blank - 120 V 277 - 240/277 V
IG - In ground CVE Series	96X2 - 2 X 96 Watt	24 - 24 VDC	
CVE - ELV Dimming DALI - eldoLED Dali dimming			
Both dims down to 0.1%			

MODELS	Dual Circuit
<b>A Length</b>	8.40"
<b>B Width</b>	8.30"
<b>Depth</b>	8.10"

