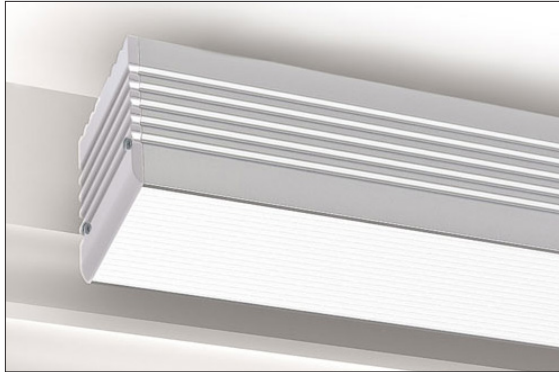
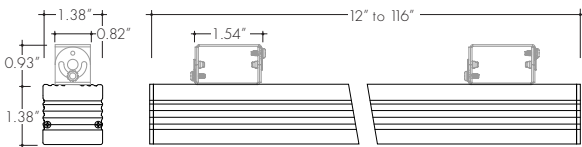


Extruded aluminum linear illumination system, Kilo GW is available in sections up to 116" long. Two optical options allow for the choice of wall washing or wall grazing. Multiple mounting options allow for ceiling, floor or wall installation. Available with 72" lead wires or quick-connect end-feed. Dual-feed option available for applications where multiple units are interconnected. Class 2 rated for damp installation. Approved for closet/storage installation per NEC 410.16(A)(3) and 410.16(C)(5). 5 year warranty.

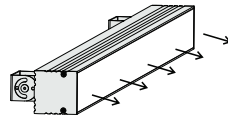


Dimensions shown with adjustable bracket

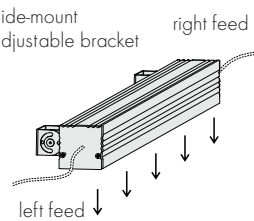


**Mounting options**

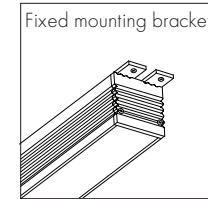
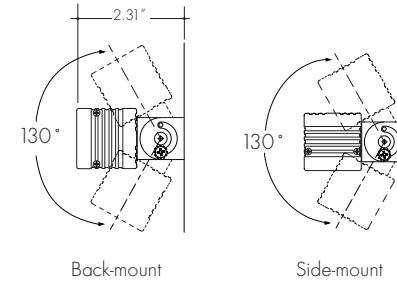
Back-mount adjustable bracket



Side-mount adjustable bracket



Adjustable mounting brackets allow 65° tilt in both directions and can be mounted on the back or side of the body of the Kilo light fixture.



**Finish options**



Black powder coated



Bronze powder coated



Silver anodized



White powder coated

**Technical information**

**Output Options**

Output type	SO (LLX18)	MO (LLX22)	HO (LL48HE-HO)
Lumens at 3000K (wash lens)	233 lm/ft	267 lm/ft	436 lm/ft
Average power consumption at 4'	4.8 W/ft	5.4 W/ft	5.9 W/ft
Maximum system length <i>Achievable via feed through fixture wiring.</i>	25'	23'	17'
Operating Voltage	24VDC	24VDC	24VDC

**CCT/LUMEN MULTIPLIER**

Color temperature	Multiplier <small>(Multiple Light Output of 3000K HO)</small>	CRI
2700 K	0.87	94
3000 K	1.00	94
3500 K	0.94	95
4100 K	0.95	96

**Ordering code**

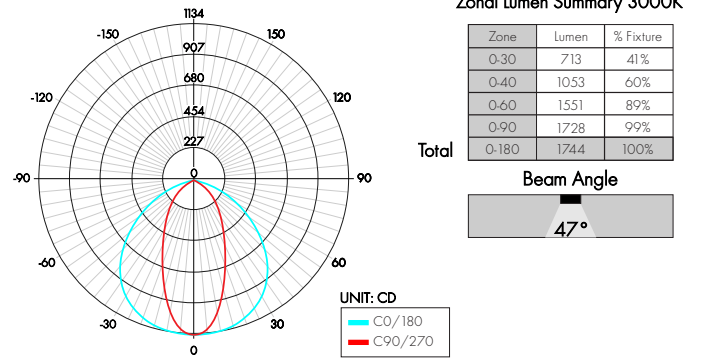
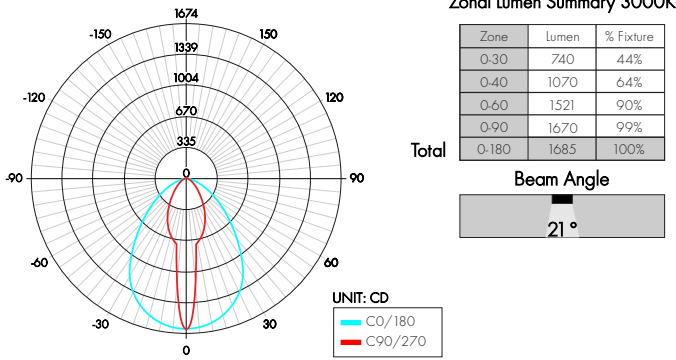
MODEL	LENGTH	CCT	OUTPUT	LENS	MOUNTING	FINISH	POWER FEED
KGW <small>KGW - Kilo GW</small>	12 <small>12" - 116" 4" increments</small>	27K <small>27K - 2700 K 30K - 3000 K 35K - 3500 K 41K - 4100 K</small>	SO <small>SO - Standard MO - Medium HO - High</small>	G <small>G - Graze W - Wash</small>	F <small>F - Fixed* BM - Back-mount adjustable bracket SMLF - Side-mount adjustable bracket with left feed SMRF - Side-mount adjustable bracket with right feed</small>	SA <small>SA - Silver BK - Black BZ - Bronze WH - White <small>(BK,BZ,WH finishes will have an upcharge and require longer lead times)</small></small>	F1 <small>F1 - 72" wire leads F1X2 - 72" wire lead at both ends F2 - 72" wire leads at one end and quick connect at other F3 - Single quick connect F4 - Dual quick connect F5 - Back 72" wire feed</small>

\* Fixed mounted systems have a maximum length of 76"

Photometry

KGW-48-30K-HO-G-XX

KGW-48-30K-HO-W-XX

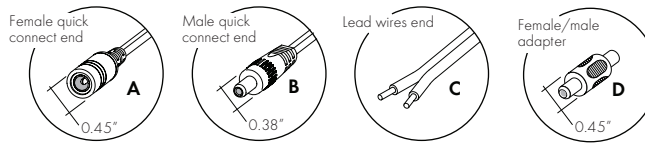


Power consumption per fixture length

Based on operation with PSD series of power supplies.

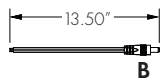
	SO				MO				HO			
	Nominal length	Actual length	W/ft	Total wattage	Actual length	W/ft	Total wattage	Actual length	W/ft	Total wattage		
	12"	12-14/16"	5.00	5.00	12-14/16"	5.60	5.60	12-13/16"	5.90	5.92		
	16"	16-13/16"	5.00	7.00	17-2/16"	5.60	7.50	16-12/16"	5.90	7.89		
	20"	20-12/16"	4.95	8.50	21-6/16"	5.60	9.30	20-11/16"	5.90	9.87		
	24"	24-10/16"	4.95	9.90	24-10/16"	5.55	11.10	24-10/16"	5.90	11.84		
	28"	28-9/16"	4.95	11.00	28-15/16"	5.55	13.50	28-9/16"	5.91	13.81		
	32"	32-8/16"	4.90	13.25	33-4/16"	5.55	15.00	32-8/16"	5.91	15.79		
	36"	36-8/16"	4.90	14.70	36-8/16"	5.50	16.50	36-7/16"	5.91	17.76		
	40"	40-6/16"	4.90	16.00	40-12/16"	5.50	18.00	40-6/16"	5.92	19.73		
	44"	44-5/16"	4.85	17.50	45-1/16"	5.50	19.80	44-5/16"	5.92	21.71		
	48"	48-4/16"	4.85	19.40	49-6/16"	5.45	21.80	48-4/16"	5.92	23.68		
	52"	52-3/16"	4.85	21.00	52-10/16"	5.45	23.00	52-3/16"	5.92	25.65		
	56"	56-3/16"	4.80	22.50	56-15/16"	5.45	25.50	56-2/16"	5.92	27.63		
	60"	60-1/16"	4.80	24.00	61-3/16"	5.40	27.00	60-1/16"	5.92	29.60		
	64"	64 "	4.80	25.50	65-8/16"	5.40	28.50	65-15/16"	5.93	31.57		
	68"	67-15/16"	4.75	27.00	68-12/16"	5.40	30.00	69-14/16"	5.93	33.55		
	72"	71-14/16"	4.75	28.50	73-1/16"	5.35	32.10	73-13/16"	5.93	35.52		
	76"	75-14/16"	4.75	30.00	76-6/16"	5.35	33.90	77-12/16"	5.92	37.49		
	80"	79-12/16"	4.70	31.50	80-9/16"	5.35	35.00	81-12/16"	5.92	39.47		
	84"	83-11/16"	4.70	32.90	84-14/16"	5.25	36.70	85-10/16"	5.91	41.44		
	88"	87-10/16"	4.70	34.00	89-4/16"	5.25	38.20	89-9/16"	5.91	43.41		
	92"	91-9/16"	4.65	35.50	93-9/16"	5.25	39.60	93-8/16"	5.92	45.39		
	96"	95-9/16"	4.65	37.20	96-13/16"	5.20	41.60	97-7/16"	5.92	47.36		
	100"	99-7/16"	4.65	39.00	101 "	5.20	43.20	101-7/16"	5.93	49.33		
	104"	103-6/16"	4.60	40.20	105-5/16"	5.20	44.00	105-5/16"	5.93	51.31		
	108"	111-4/16"	4.60	41.40	108-10/16"	5.10	45.90	109-4/16"	5.94	53.28		
	112"	115-4/16"	4.60	43.00	112-14/16"	5.10	47.00	113-3/16"	5.94	55.25		
	116"	119-2/16"	4.55	44.20	117-4/16"	5.10	48.50	117-2/16"	5.94	57.23		

Connectors

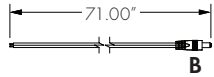


Linking and extension cable options

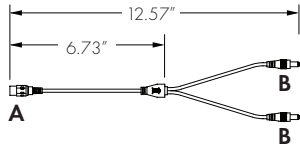
Male quick-connect  
Part # LMC



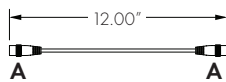
Male quick-connect long  
Part # LMC-70



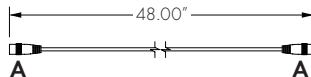
Y-splitter  
Part # LYC



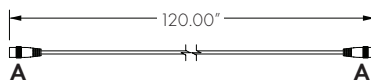
12" extension cable  
Part # EC-12



48" extension cable  
Part # EC-48



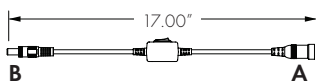
120" extension cable  
Part # EC-120



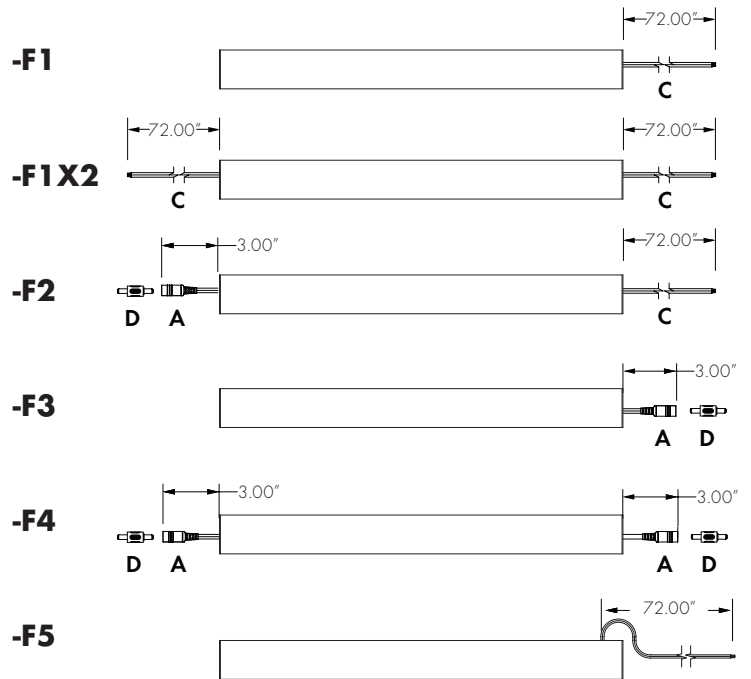
Female/male adaptor  
Part # FMA



Inline DC switch  
Part # IS-DC



Powerfeed options

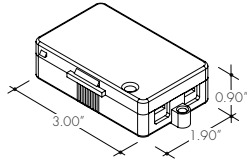


**Accessories**

Splice Box

LVSP-4T-BK

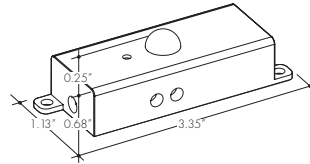
Low voltage, 4 terminal splice box, black



PIR Infrared Occupancy Sensor

OS-DC-F4-BK

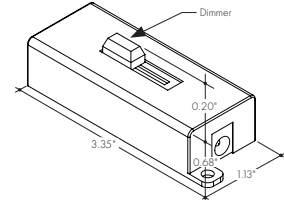
OS-DC-F4-BK - Occupancy Sensor



24VDC Low Voltage In-Line Dimmer Module

DIM-DC-F4-BK

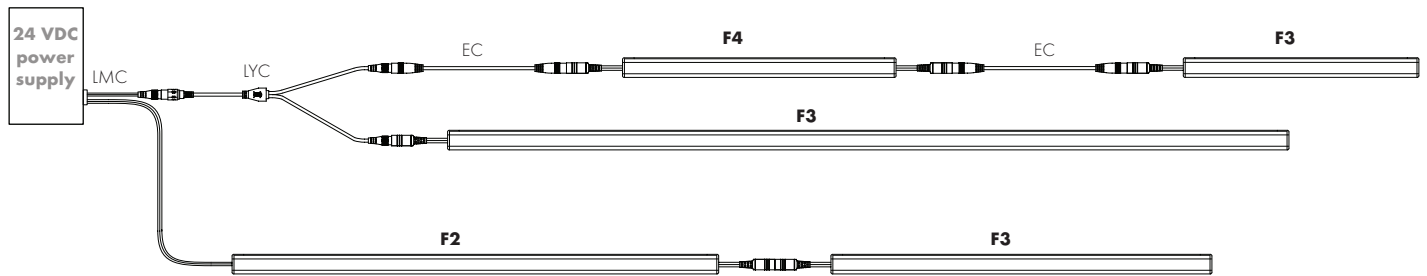
DIM-DC-F4-BK - 24VDC Low Voltage In-Line Dimmer Module



Note: a Male quick connector for input and output is required.

Note: a Male quick connector for input and output is required.

**Sample layout of powerfeed connections**



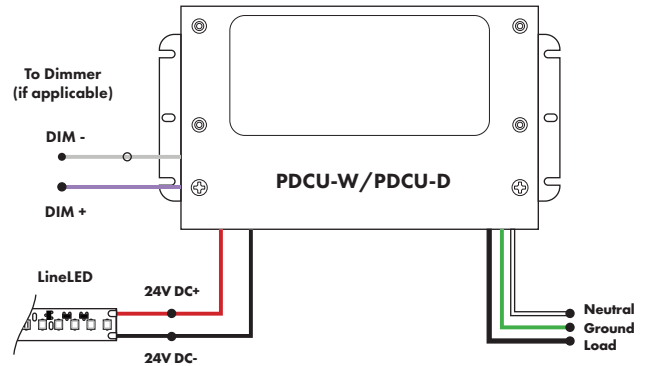
## Power Supply

See fixture and power supply instructions & spec sheet for wiring information. Dimming possible in select models - view Luminii website for list of compatible dimmers.

### Universal Power Supply

MODEL	POWER	OUTPUT
<b>PDCU-W</b>	<b>96</b>	<b>24</b>
PDCU-W - IP66 Wet Series	96 - 96 W 3X96 - 3X96 W	24 - 24 VDC
PDCU-D - IP20 Dry Series	30 - 30 W 60 - 60 W 96 - 96 W 3X96 - 3X96 W	

0-10V - 1% dimming  
MLV/ELV/TRIAC - 1% dimming, consult dimming compatibility chart  
Compatibility:  
View a complete list of compatible dimmers on product page ([Link](#))

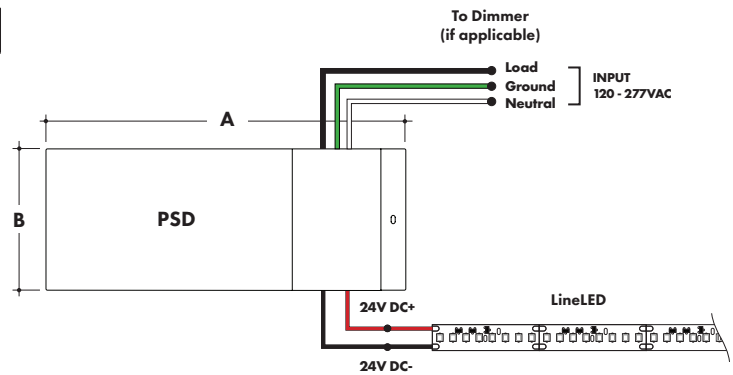


MODELS	PDCU-W 96W	PDCU-W 3X96W	PDCU-D 30W	PDCU-D 60W	PDCU-D 96W	PDCU-D 3X96W
<b>A Length</b>	8.66"	11.85"	6.10"	7.93"	8.25"	9.57"
<b>B Width</b>	3.73"	4.32"	3.35"	3.35"	4.10"	5.94"
<b>Depth</b>	1.61"	1.81"	1.33"	1.32"	1.56"	1.13"

### Magnetic Low Voltage Dimming Power Supplies

MODEL	POWER	OUTPUT	INPUT
<b>PSD</b>	<b>48</b>	<b>24</b>	
PSD - PSD Series dims down to 0%	48 - 48 Watt 96 - 96 Watt 288 - 288 Watt (3 x 96Watt)	24 - 24 VDC	Blank - 120 V 240 - 240 V 277 - 277 V

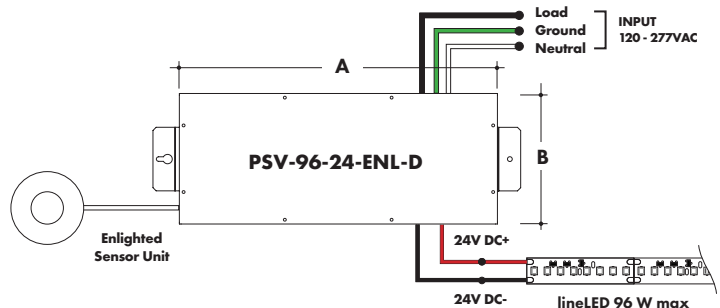
MODELS	48W	96W	288W
<b>A Length</b>	11.25"	11.25"	13.06"
<b>B Width</b>	3.42"	3.42"	8.42"
<b>Depth</b>	3.42"	3.27"	4.47"



### Enlighted Enabled Dimming Power Supplies:

MODEL	POWER	OUTPUT	DIMMING	LOCATION
<b>PSV</b>	<b>96</b>	<b>24</b>	<b>ENL</b>	<b>D</b>
PSV - PSV Series	96 - 96 Watt	24 - 24 VDC	ENL - Enlighted Dimming	D - Damp

MODELS	96W
<b>A Length</b>	14.40"
<b>B Width</b>	5.20"
<b>Depth</b>	2.60"



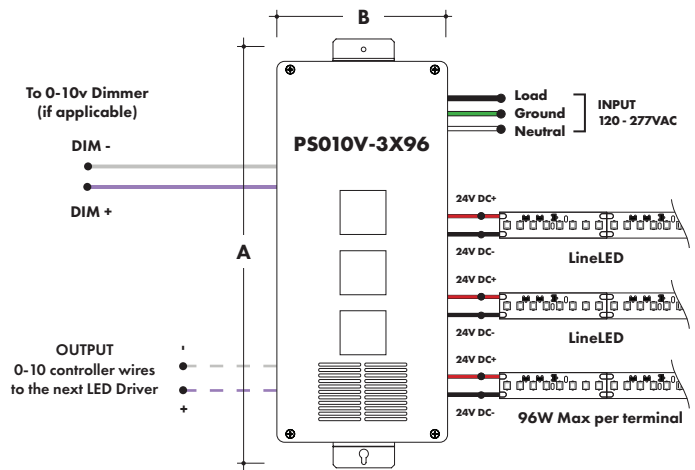
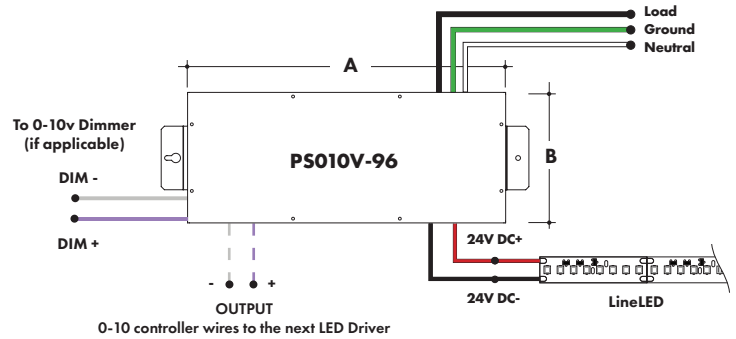
## Power Supply

See fixture and power supply instructions & spec sheet for wiring information. Dimming possible in select models - view Luminii website for list of compatible dimmers.

### 0-10V Dimming Power Supplies

MODEL	POWER	OUTPUT	DIMMING
<b>PS010V</b>	<b>96</b>	<b>24</b>	<b>LIN</b>
PS010V - 0-10V Power Supply dims down to 0%	96 - 96 Watt 3X96 - 3 X 96 Watt	24 - 24 VDC	LIN - Linear LOG - Logarithmic

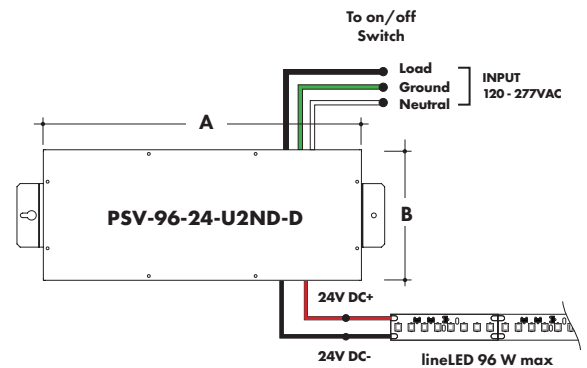
MODELS	96W	3X96
<b>A Length</b>	14.40"	15.75"
<b>B Width</b>	5.20"	6.62"
<b>Depth</b>	2.60"	4.95"



### Non-Dimming Power Supply

MODEL	POWER	OUTPUT	DIMMING	LOCATION
<b>PSV</b>	<b>96</b>	<b>24</b>	<b>U2ND</b>	<b>D</b>
PSV - PSV Series	96 - 96 Watt	24 - 24 VDC	U2ND - Non Dimming	D - Damp

MODELS	96W
<b>A Length</b>	14.40"
<b>B Width</b>	5.20"
<b>Depth</b>	2.60"



## Power Supply

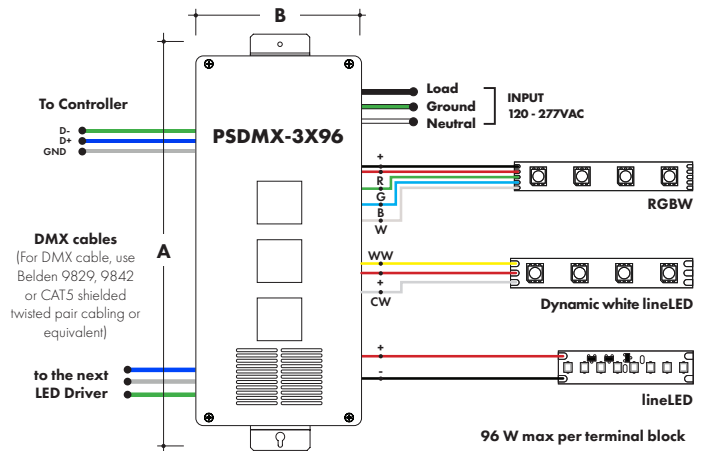
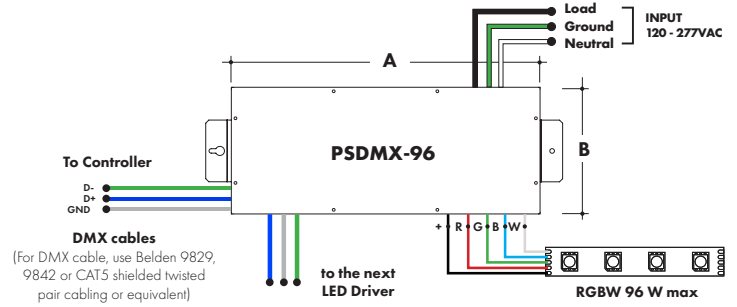
See fixture and power supply instructions & spec sheet for wiring information. Dimming possible in select models - view luminii website for list of compatible dimmers.

### DMX Dimming Power Supplies

MODEL	POWER	OUTPUT
<b>PSDMX</b>	<b>96</b>	<b>24</b>
PSDMX - DMX Power Supply	96 - 96 Watt 3X96 - 3 X 96 Watt	24 - 24 VDC

Features eldoLED's LINEARdrive configurable dimmable drivers

MODELS	96W	3X96
<b>A Length</b>	14.40"	15.75"
<b>B Width</b>	5.20"	6.62"
<b>Depth</b>	2.60"	4.95"

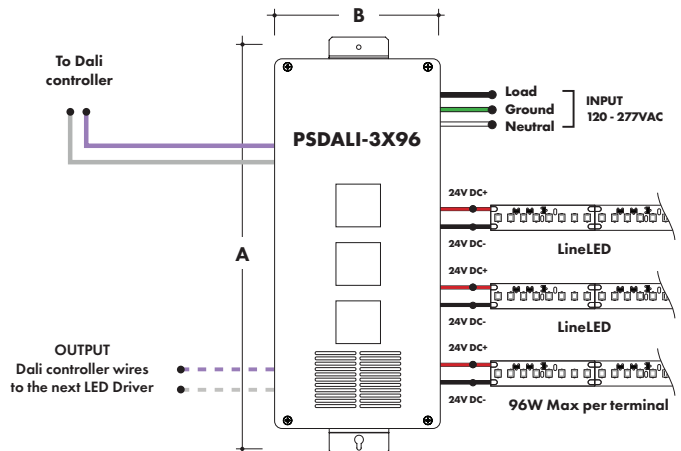
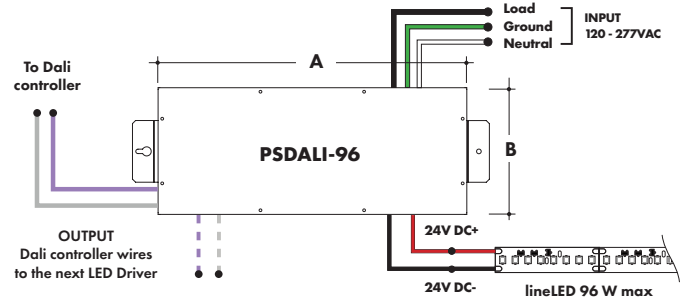


### DALI Dimming Power Supplies

MODEL	POWER	OUTPUT
<b>PSDALI</b>	<b>96</b>	<b>24</b>
PSDALI - DALI Power Supply	96 - 96 Watt 3X96 - 3 X 96 Watt	24 - 24 VDC dims down to 0%

Features eldoLED's LINEARdrive configurable dimmable drivers

MODELS	96W	3X96
<b>A Length</b>	14.40"	15.75"
<b>B Width</b>	5.20"	6.62"
<b>Depth</b>	2.60"	4.95"



### Power Supply

See fixture and power supply instructions & spec sheet for wiring information. Dimming possible in select models - view Luminii website for list of compatible dimmers.



Luminii is a Lutron OEM Advantage Partner

MODEL

**LTEA4U1UKL-CV240**

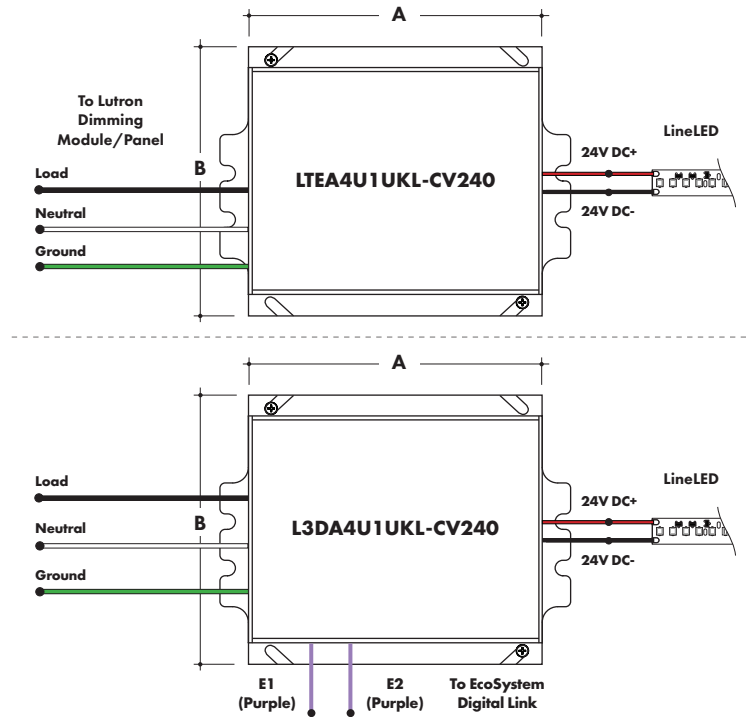
Lutron - HiLume™ 1% 2-wire LED Driver  
(120V forward phase only)

MODEL

**L3DA4U1UKL-CV240**

HiLume™ 1% EcoSystem Voltage LED driver

MODELS	LTEA4U1UKL-CV240	L3DA4U1UKL-CV240
<b>A Length</b>	4.89"	4.98"
<b>B Width</b>	4.00"	4.00"
<b>Depth</b>	2.62"	2.62"



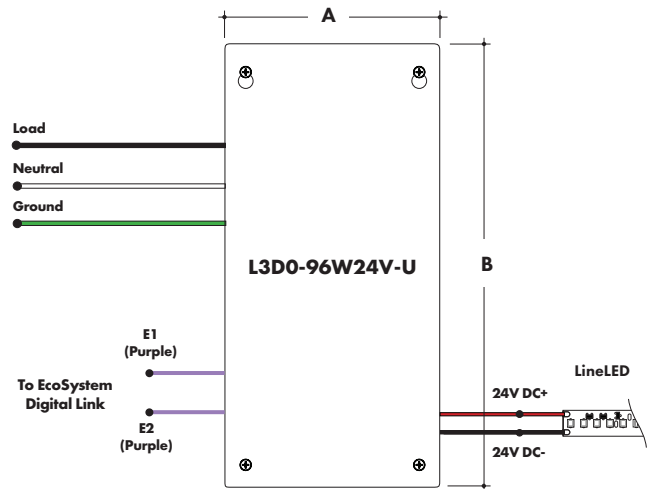
Luminii is a Lutron OEM Advantage Partner

MODEL

**L3D0-96W24V-U**

HiLume™ 0.1% EcoSystem Voltage LED Driver with Soft-On, Fade-to-Black™

MODELS	L3D0
<b>A Length</b>	10.50"
<b>B Width</b>	5.50"
<b>Depth</b>	2.00"





## Power Supply

See fixture and power supply instructions & spec sheet for wiring information. Dimming possible in select models - view Luminii website for list of compatible dimmers.

### In ground, Electronic Low Voltage Dimming Power Supplies

MODEL	POWER	OUTPUT	INPUT
<b>IG</b> - CVE	<b>96X2</b>	<b>24</b>	Blank - 120 V 277 - 240/277 V
IG - In ground CVE Series	96X2 - 2 X 96 Watt	24 - 24 VDC	
CVE - ELV Dimming DALI - eldoLED Dali dimming Both dims down to 0.1%			

MODELS	Dual Circuit
<b>A Length</b>	8.40"
<b>B Width</b>	8.30"
<b>Depth</b>	8.10"

