



The KILO Channel is a linear aluminum extrusion that has been designed to fit many LED lighting needs and specifically high output applications. Substantial aluminum mass in profile provides excellent heat sink and physical protection for high power LEDs. The wide profile design can accommodate up to two rows of LED strips making the KILO extrusion ideal for bright general lighting applications. Extrusion and lens are field-cuttable. End caps & joiners sold separately.

**Finish**

- Silver anodized
- White

**Mounting**

Mounting bracket

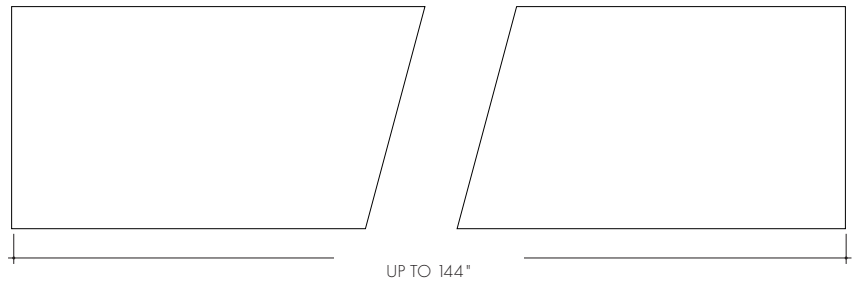
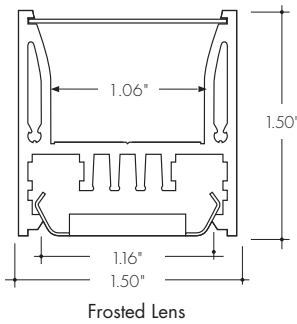
**Diffuser lens**

- Polycarbonate
- Snap-in-place
- UV resistant

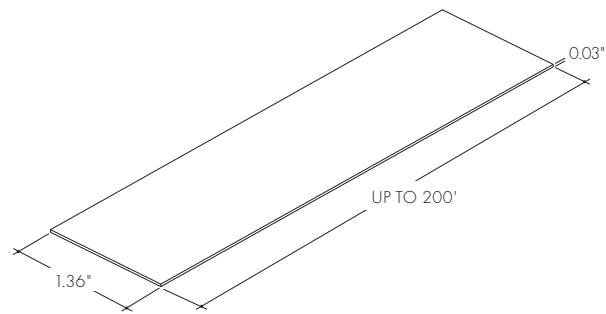
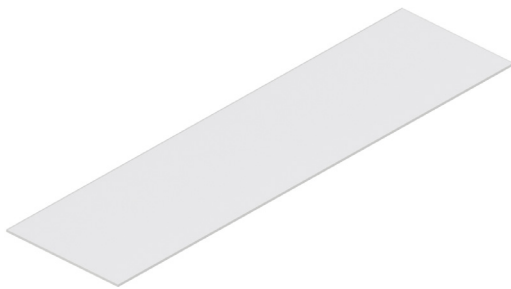


**Product Dimensions**

**EXTRUSION**



**LENS (FIELD CUTTABLE)**



**Ordering Code**

**EXTRUSION**

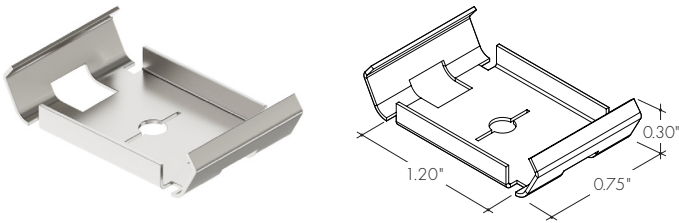
MODEL	LENGTH	FINISH
<b>KILOC</b>		
KILOC - Kilo Channel	48 - 48" 72 - 72" 96 - 96" 144 - 144"	SA - Silver anodized WH - White

**LENS**

LENS	LENGTH
<b>KILOC-FF</b> - Kilo Channel Lens (frosted)	Order in 10' increments up to 200'
<b>KILOC-CC</b> - Kilo Channel Lens (clear)	

All accessories sold separately.

**Mounting Bracket**

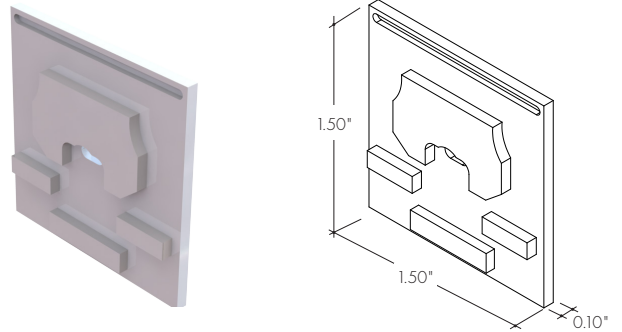


ORDERING CODE

**MB-KILOC-SS**

**MB-KILOC-SS** - Stainles steel screw-in mounting bracket

**End Caps**



ORDERING CODE

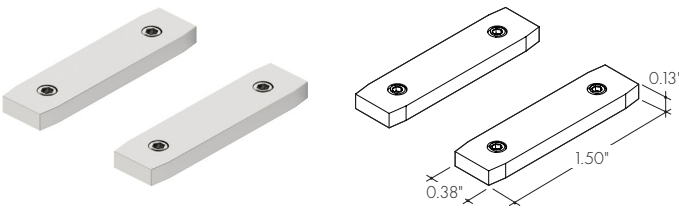
**EC** - **KILOC** - [ ] - [ ]

**EC-KILOC** - Kilo Channel End Cap

**H3** - w/o hole  
**H4** - w/ hole

**SA** - Silver anodized  
**WH** - White

**Joiner**

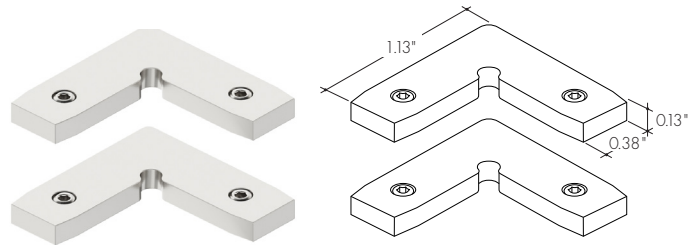


ORDERING CODE

**JOIN-M-ST**

**JOIN-M-ST** - Medium Channel Straight Joiner, sold in pairs

**Flat Corner Joiner**

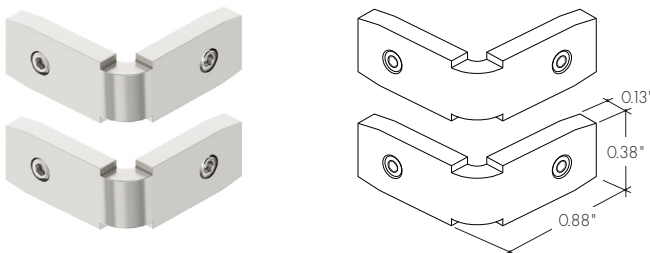


ORDERING CODE

**JOIN-M-L**

**JOIN-M-L** - Medium Channel Flat Corner Joiner, sold in pairs

**Inside or Outside Corner Joiner**



ORDERING CODE

**JOIN-M-IN**

**JOIN-M-IN** - Medium Channel Inner or Outer Corner Joiner, sold in pairs

