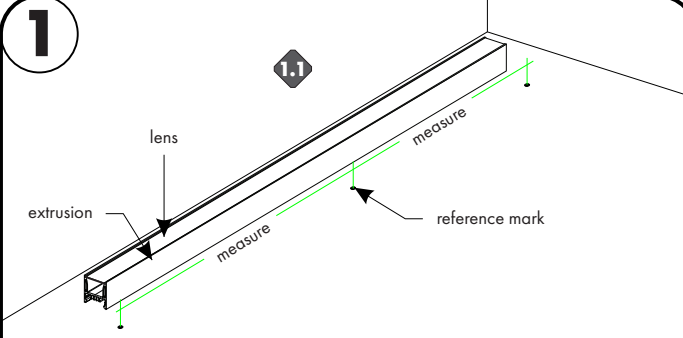


# KILO Channel - Installation Instructions

**Please read complete instruction prior to installation and keep for future reference!**

1. Product should be installed by a qualified electrician.
2. Prior to installation ensure power is off at fuse box to prevent electrical shock.
3. If extrusion is installed facing up and in a wet location, ensure proper drainage and silicone endcaps and diffuser lens.

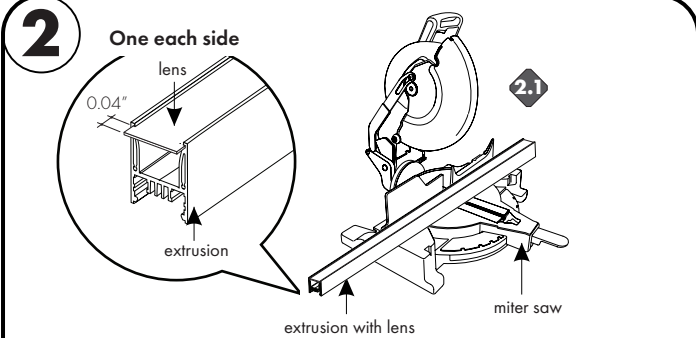
## 1



**Note:** Prior to install, 24VDC power must be present for wiring. Also review and account for all parts necessary to install properly.

**1.1** Snap the lens into the extrusion, then align & center the extrusion to the determined location. Make any reference marks to install the extrusion.

## 2

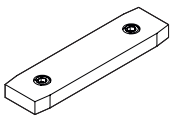
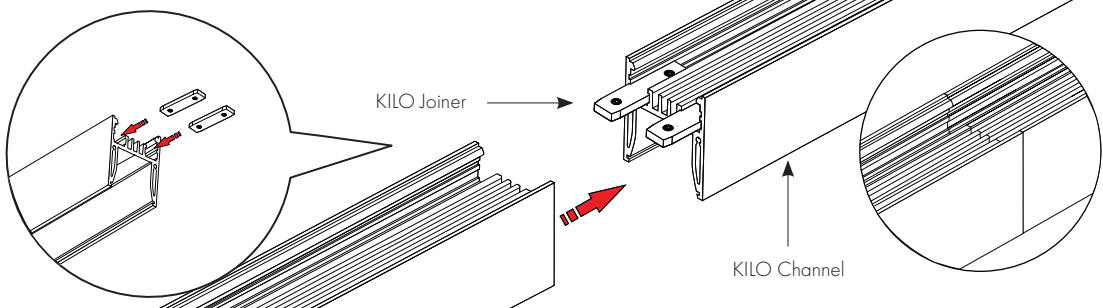
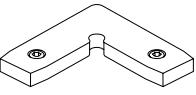
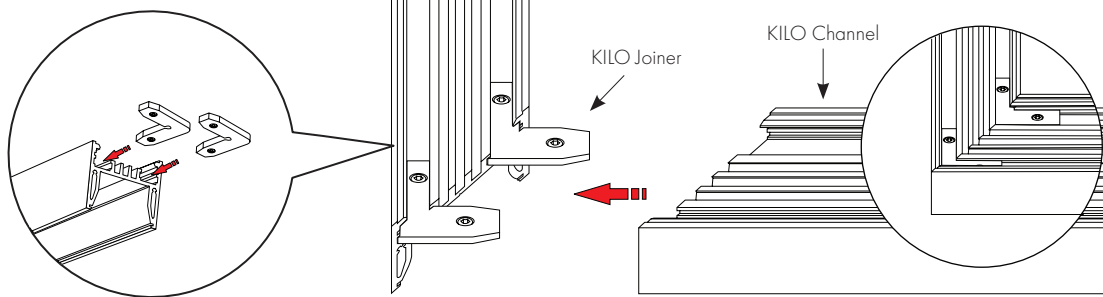
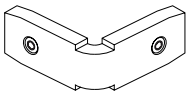
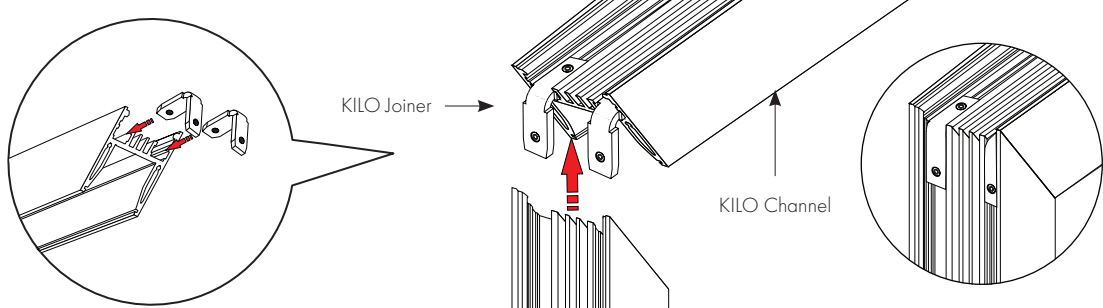


**Caution:** Safety equipment is recommended, when modifications are being made to the extrusion & lens.

**2.1** If necessary, extrusion and lens can be cut in the field. Using the proper blade for aluminum cut the extrusion to the desired length. Then cut the lens using utility shears leaving an extra 0.08" to overlap the onto the endcaps.

## 3

**If joining multiple extrusions.** Insert the KILO Joiner (sold separately) half way into one of the extrusion ends & tighten using the proper allen wrench. Followed by pushing one of the KILO extrusion next to the other KILO extrusion and tighten the set screws. Repeat step for any additional connections.

<p><b>Joiner</b></p>  <p><b>KILOC-JOINER</b> Kilo Channel Joiner</p>	
<p><b>Flat Corner Joiner</b></p>  <p><b>KILOC-FL JOINER</b> Kilo Channel Flat Corner Joiner</p>	
<p><b>Inside or Outside Corner Joiner</b></p>  <p><b>KILOC-INJOINER</b> Kilo Channel Inside or Outside Corner Joiner</p>	

# KILO Channel - Installation Instructions

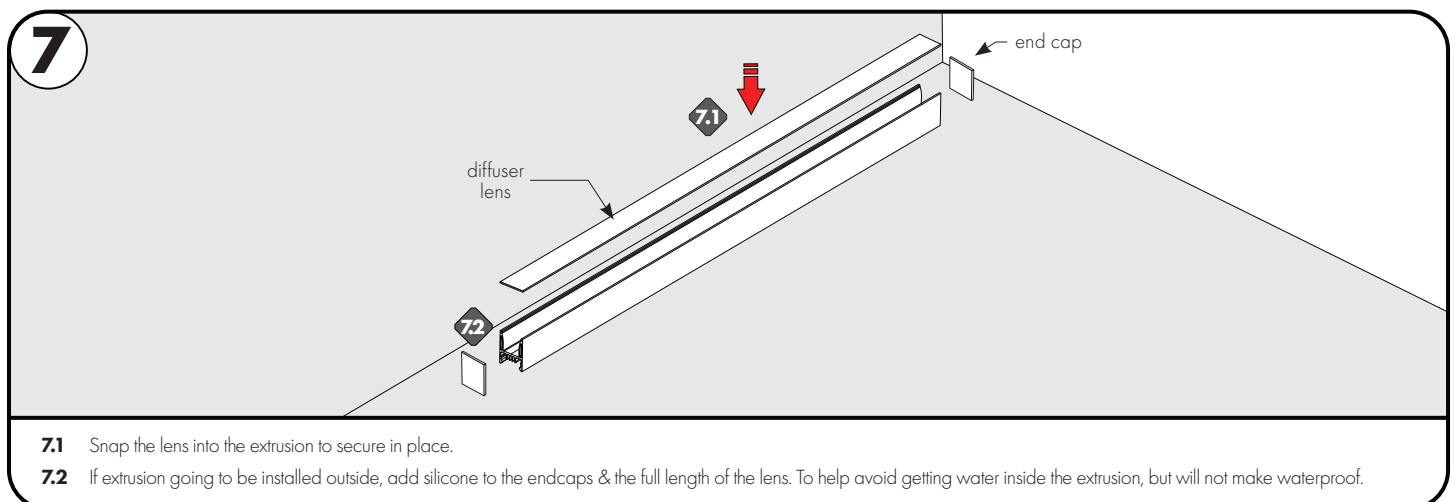
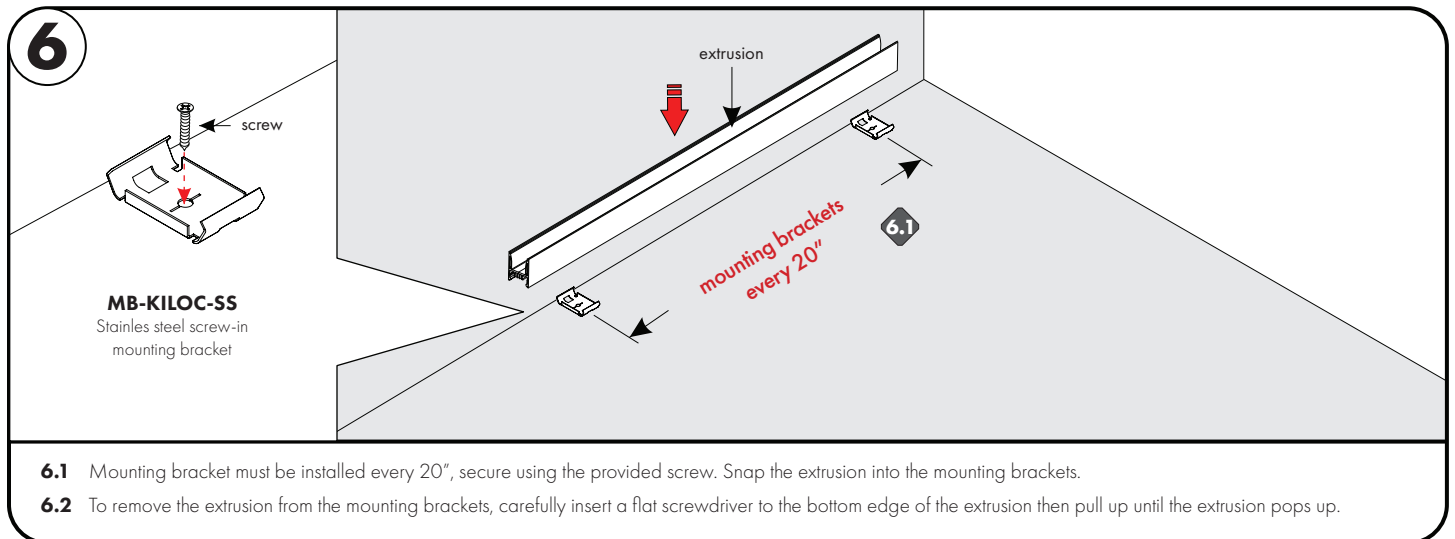
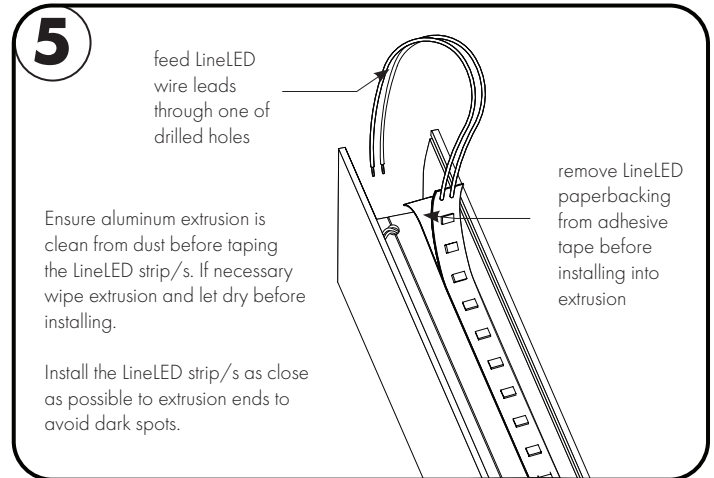
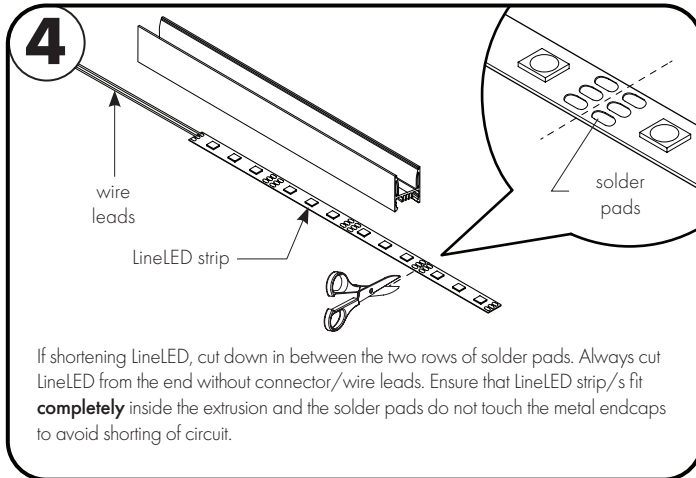
Please read complete instruction prior to installation and keep for future reference!

1. Product should be installed by a qualified electrician.
2. Prior to installation ensure power is off at fuse box to prevent electrical shock.
3. If extrusion is installed facing up and in a wet location, ensure proper drainage and silicone endcaps and diffuser lens.



7777 N. Merrimac Ave  
Niles, IL 60714  
T 224.333.6033  
F 224.757.7557  
info@luminii.com  
www.luminii.com

Page 2 of 3



# KILO Channel - Installation Instructions

**Please read complete instruction prior to installation and keep for future reference!**

1. Product should be installed by a qualified electrician.
2. Prior to installation ensure power is off at fuse box to prevent electrical shock.
3. If extrusion is installed facing up and in a wet location, ensure proper drainage and silicone endcaps and diffuser lens.



7777 N. Merrimac Ave  
Niles, IL 60714  
T 224.333.6033  
F 224.757.7557  
info@luminii.com  
www.luminii.com

Page 3 of 3

