



Features

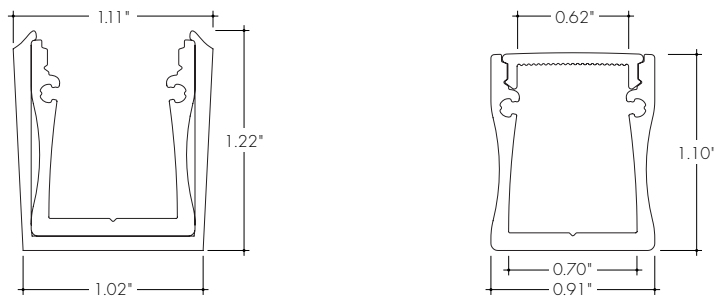
Extruded aluminum linear illumination system, Kendo XL20 is available in sections up to 76" long. Specifically designed LED engine provides constant illumination levels from the beginning to the end of the runs. Kendo XL20 can be used for general illumination, architectural accents, under and above cabinet lighting, display cases and many other applications. Available with 72" wire leads or quick-connect end feed. Class 2 listed power supply required. Approved for closet/storage space installation per NEC 410.16(A)(3) and 410.16(C)(5).

5 year warranty.

Finish Options:

- Silver anodized
- Bronze powder coated
- Black powder coated
- White powder coated

Profile Dimensions



IC RATED

RoHS



Technical Information

OUTPUT OPTIONS					CCT INFO/LUMEN MULTIPLIER		TM-30-15		
Output Type	Lumens at 3000K (with clear lens)	Average Power Consumption at 4'	Maximum System Length Achievable via feed through fixture wiring	Operating Voltage	Color Temperature	Multiplier (reference - 3000K)	CRI	R _f	R _g
SO (LL36X2)	340 lm/ft	6.5 W/ft	16'	24VDC	2200K	0.87	82	81	99
HO (LL54X2)	515 lm/ft	10.4 W/ft	10'	24VDC	2700K	0.81	98	95	102
					2900K	0.86	97	95	102
					3000K	1.00	91	90	101
					3500K	1.05	95	90	97
					4100K	1.28	93	88	96

Ordering Code

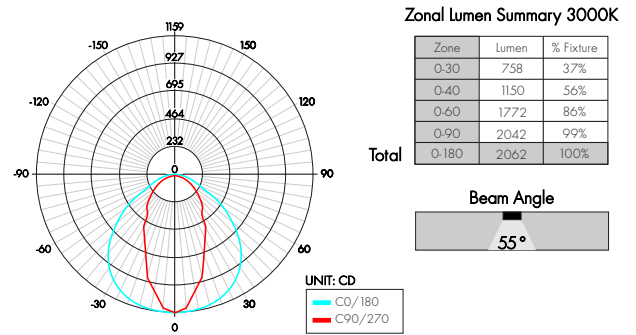
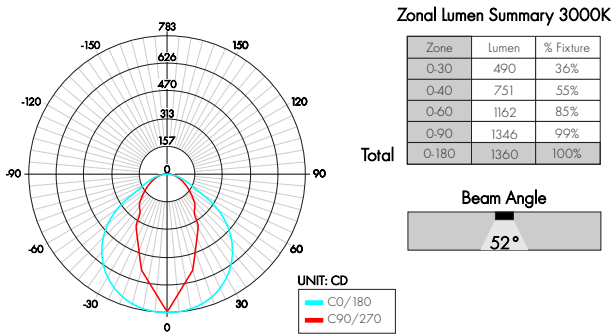
MODEL	LENGTH	CCT	OUTPUT	LENS	MOUNTING	FINISH	POWER FEED
KXL20	12	22K	SO	C	F	SA	F1
KXL20 - Kendo XL20	12" - 76" 4" increments	22K - 2200K 27K - 2700K 29K - 2900K 30K - 3000K 35K - 3500K 41K - 4100K	SO - Standard HO - High	C - Clear F - Frosted	F - Fixed Mounting Clips	SA - Silver BK - Black BZ - Bronze WH - White	F1 - 72" Wire leads F2 - 72" Wire leads at one end and quick connect at other F3 - Single quick connect F4 - Dual quick connect

(BK, BZ, WH finishes will have an upcharge and require longer lead times)

Photometry

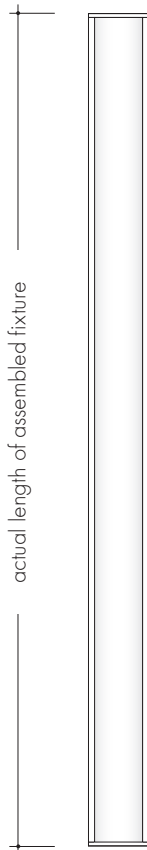
KXL20-48-30K-SO-C-XY

KXL20-48-30K-HO-C-XY



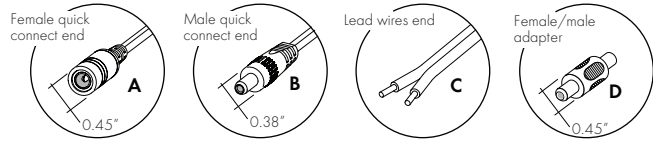
Power Consumption Per Fixture Length

Based on operation with PSD series of power supplies.



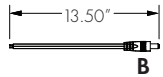
Nominal Length	Actual Length	SO		Actual Length	HO	
		W/ft	Total wattage		W/ft	Total wattage
12"	12-12/16"	6.80	6.80	12-11/16"	10.80	10.80
16"	16-10/16"	6.80	8.90	16-10/16"	10.73	13.80
20"	20-10/16"	6.80	11.50	20-10/16"	10.65	16.80
24"	24-8/16"	6.75	13.50	24-9/16"	10.60	19.80
28"	28-7/16"	6.75	15.80	28-7/16"	10.57	23.50
32"	32-7/16"	6.75	17.90	32-7/16"	10.53	27.20
36"	36-5/16"	6.65	19.95	36-6/16"	10.50	30.90
40"	40-4/16"	6.65	22.00	40-5/16"	10.47	34.30
44"	44-4/16"	6.65	24.00	44-4/16"	10.43	37.70
48"	48-3/16"	6.55	26.20	48-3/16"	10.40	41.10
52"	52-2/16"	6.55	28.00	53-7/16"	10.37	44.60
56"	56-1/16"	6.55	30.00	57-6/16"	10.33	48.10
60"	60 "	6.40	32.00	61-5/16"	10.30	51.60
64"	63-15/16"	6.40	34.00	65-4/16"	10.27	55.50
68"	69-13/16"	6.40	35.50	69-3/16"	10.23	59.00
72"	73-12/16"	6.30	37.80	73-2/16"	10.20	63.20
76"	77-11/16"	6.30	39.90	77-1/16"	10.17	66.20

Connectors & Accessories

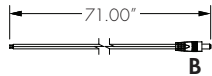


Linking and extension cable options

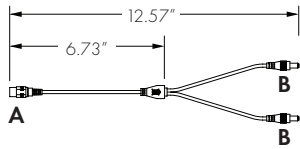
Male quick-connect
Part # LMC



Male quick-connect long
Part # LMC-70



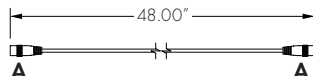
Y-splitter
Part # LYC



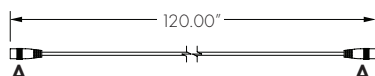
12" extension cable
Part # EC-12



48" extension cable
Part # EC-48



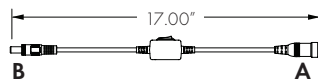
120" extension cable
Part # EC-120



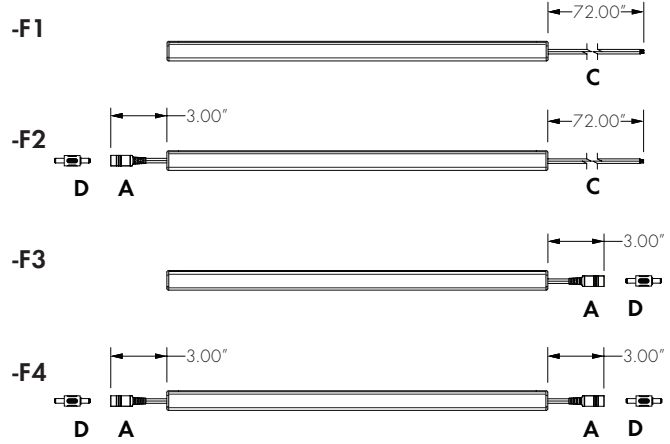
Female/male adaptor
Part # FMA



Inline DC switch
Part # IS-DC



Powerfeed options



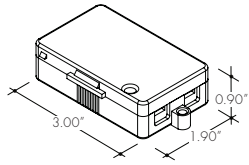
-F3 and -F4 powerfeed options require #LMC to connect to PSD series of power supplies.

Accessories

Splice Box

LVSP-4T-BK

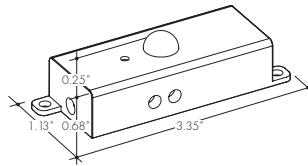
Low voltage, 4 terminal splice box, black



PIR Infrared Occupancy Sensor

OS-DC-F4-BK

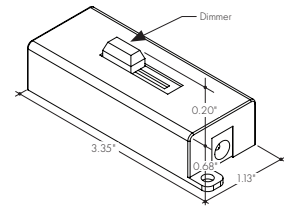
OS-DC-F4-BK - Occupancy Sensor



24VDC Low Voltage In-Line Dimmer Module

DIM-DC-F4-BK

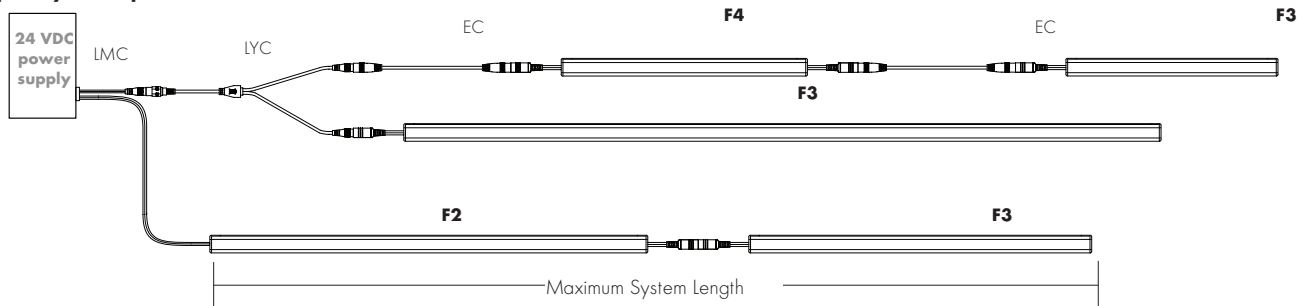
DIM-DC-F4-BK - 24VDC Low Voltage In-Line Dimmer Module



Note: a Male quick connector for input and output is required.

Note: a Male quick connector for input and output is required.

Sample layout of powerfeed connections



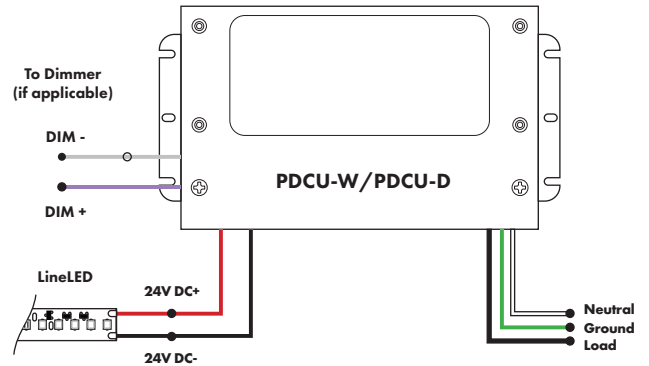
Power Supply

See fixture and power supply instructions & spec sheet for wiring information. Dimming possible in select models - view Luminii website for list of compatible dimmers.

Universal Power Supply

MODEL	POWER	OUTPUT
PDCU-W	96	24
PDCU-W - IP66 Wet Series	96 - 96 W 3X96 - 3X96 W	24 - 24 VDC
PDCU-D - IP20 Dry Series	30 - 30 W 60 - 60 W 96 - 96 W 3X96 - 3X96 W	

0-10V - 1% dimming
MLV/ELV/TRIAC - 1% dimming, consult dimming compatibility chart
Compatibility:
View a complete list of compatible dimmers on product page ([Link](#))

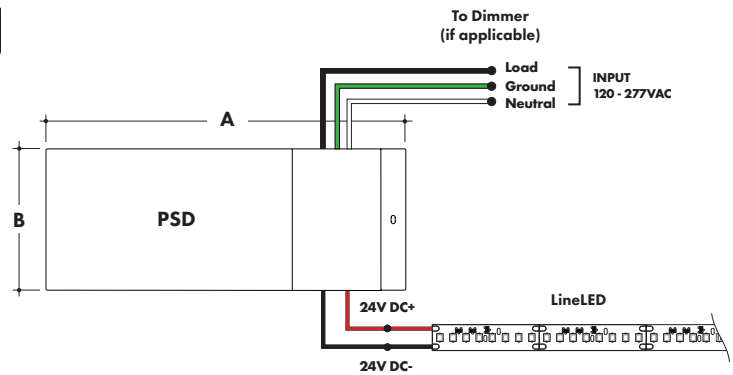


MODELS	PDCU-W 96W	PDCU-W 3X96W	PDCU-D 30W	PDCU-D 60W	PDCU-D 96W	PDCU-D 3X96W
A Length	8.66"	11.85"	6.10"	7.93"	8.25"	9.57"
B Width	3.73"	4.32"	3.35"	3.35"	4.10"	5.94"
Depth	1.61"	1.81"	1.33"	1.32"	1.56"	1.13"

Magnetic Low Voltage Dimming Power Supplies

MODEL	POWER	OUTPUT	INPUT
PSD	48	24	
PSD - PSD Series dims down to 0%	48 - 48 Watt 96 - 96 Watt 288 - 288 Watt (3 x 96Watt)	24 - 24 VDC	Blank - 120 V 240 - 240 V 277 - 277 V

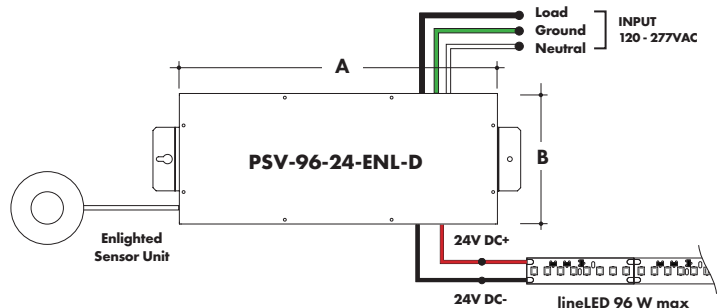
MODELS	48W	96W	288W
A Length	11.25"	11.25"	13.06"
B Width	3.42"	3.42"	8.42"
Depth	3.42"	3.27"	4.47"



Enlighted Enabled Dimming Power Supplies:

MODEL	POWER	OUTPUT	DIMMING	LOCATION
PSV	96	24	ENL	D
PSV - PSV Series	96 - 96 Watt	24 - 24 VDC	ENL - Enlighted Dimming	D - Damp

MODELS	96W
A Length	14.40"
B Width	5.20"
Depth	2.60"



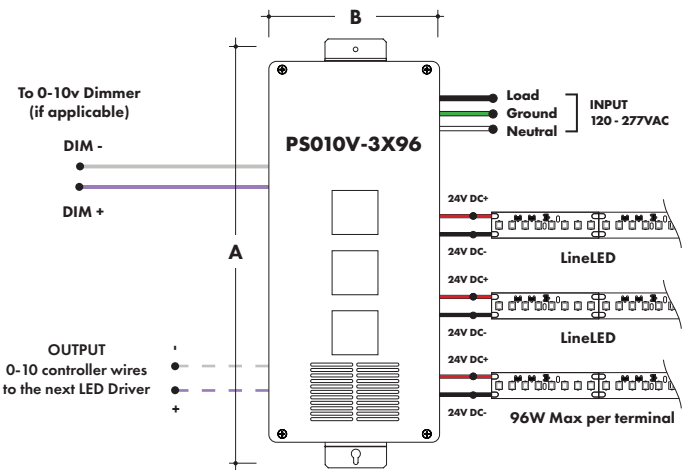
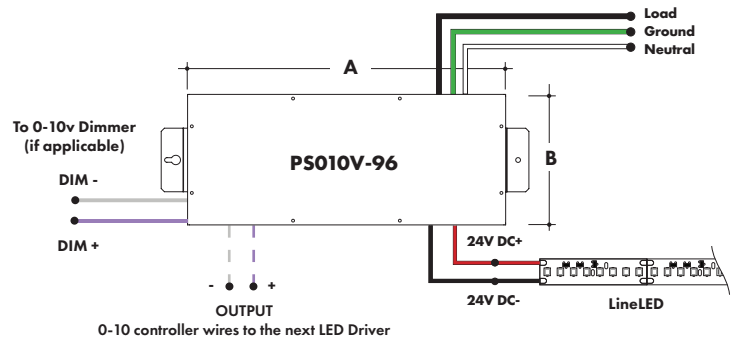
Power Supply

See fixture and power supply instructions & spec sheet for wiring information. Dimming possible in select models - view Luminii website for list of compatible dimmers.

0-10V Dimming Power Supplies

MODEL	POWER	OUTPUT	DIMMING
PS010V	96	24	LIN
PS010V - 0-10V Power Supply dims down to 0%	96 - 96 Watt 3X96 - 3 X 96 Watt	24 - 24 VDC	LIN - Linear LOG - Logarithmic

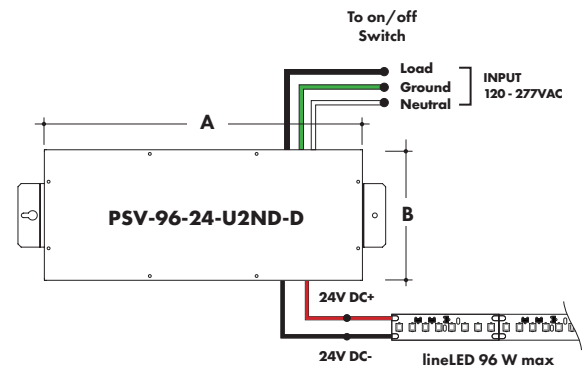
MODELS	96W	3X96
A Length	14.40"	15.75"
B Width	5.20"	6.62"
Depth	2.60"	4.95"



Non-Dimming Power Supply

MODEL	POWER	OUTPUT	DIMMING	LOCATION
PSV	96	24	U2ND	D
PSV - PSV Series	96 - 96 Watt	24 - 24 VDC	U2ND - Non Dimming	D - Damp

MODELS	96W
A Length	14.40"
B Width	5.20"
Depth	2.60"



Power Supply

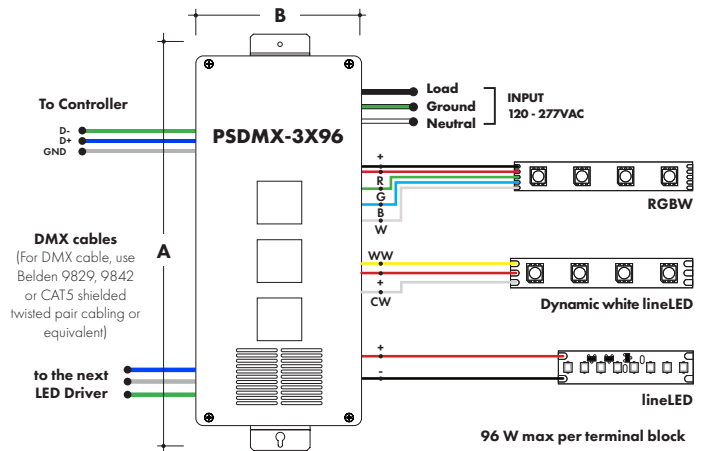
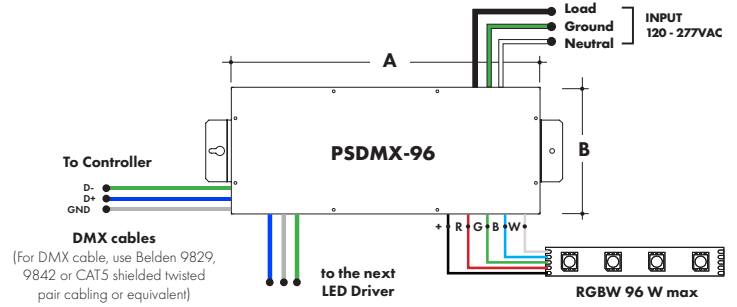
See fixture and power supply instructions & spec sheet for wiring information. Dimming possible in select models - view luminii website for list of compatible dimmers.

DMX Dimming Power Supplies

MODEL	POWER	OUTPUT
PSDMX	96	24
PSDMX - DMX Power Supply	96 - 96 Watt 3X96 - 3 X 96 Watt	24 - 24 VDC

Features eldoLED's LINEARdrive configurable dimmable drivers

MODELS	96W	3X96
A Length	14.40"	15.75"
B Width	5.20"	6.62"
Depth	2.60"	4.95"

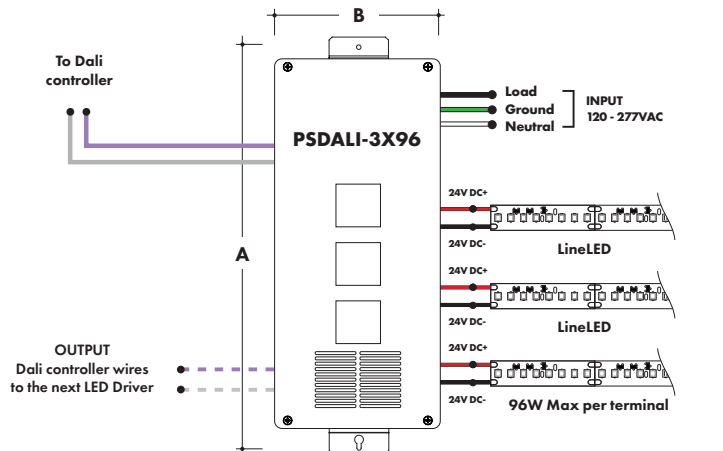
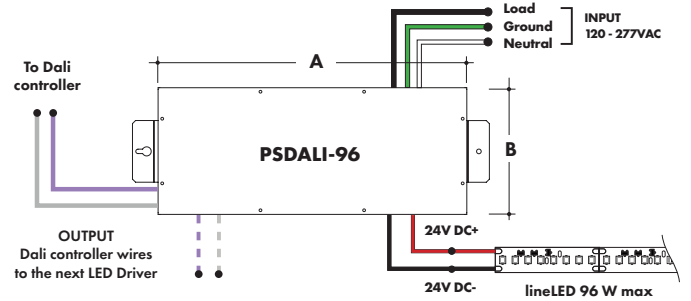


DALI Dimming Power Supplies

MODEL	POWER	OUTPUT
PSDALI	96	24
PSDALI - DALI Power Supply	96 - 96 Watt 3X96 - 3 X 96 Watt	24 - 24 VDC

dims down to 0%
Features eldoLED's LINEARdrive configurable dimmable drivers

MODELS	96W	3X96
A Length	14.40"	15.75"
B Width	5.20"	6.62"
Depth	2.60"	4.95"



Power Supply

See fixture and power supply instructions & spec sheet for wiring information. Dimming possible in select models - view Luminii website for list of compatible dimmers.



Luminii is a Lutron OEM Advantage Partner

MODEL

LTEA4U1UKL-CV240

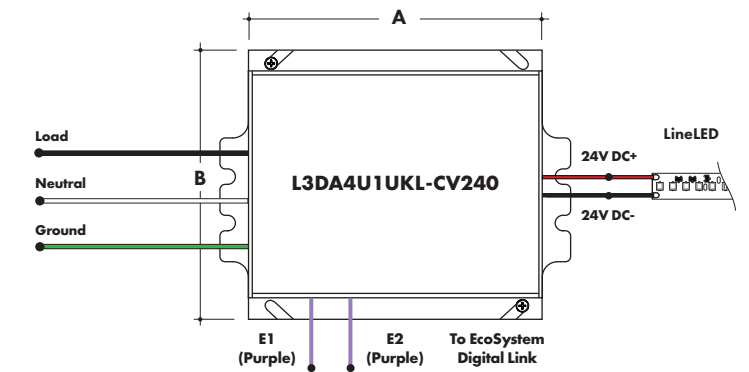
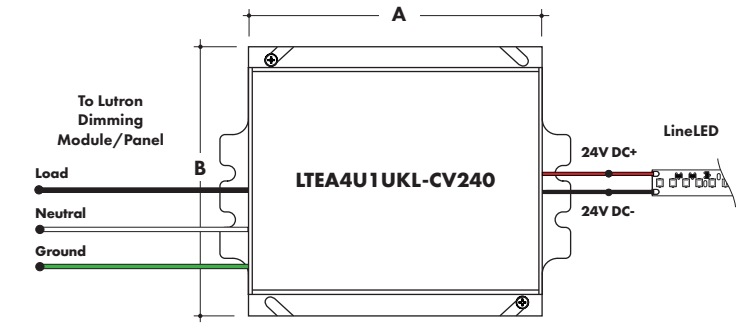
Lutron - HiLume™ 1% 2-wire LED Driver
(120V forward phase only)

MODEL

L3DA4U1UKL-CV240

HiLume™ 1% EcoSystem Voltage LED driver

MODELS	LTEA4U1UKL-CV240	L3DA4U1UKL-CV240
A Length	4.89"	4.98"
B Width	4.00"	4.00"
Depth	2.62"	2.62"



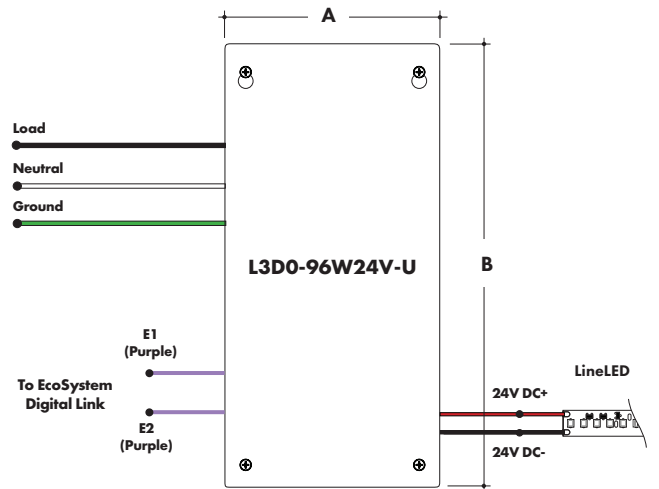
Luminii is a Lutron OEM Advantage Partner

MODEL

L3D0-96W24V-U

HiLume™ 0.1% EcoSystem Voltage LED Driver with Soft-On, Fade-to-Black™

MODELS	L3D0
A Length	10.50"
B Width	5.50"
Depth	2.00"



Power Supply

See fixture and power supply instructions & spec sheet for wiring information. Dimming possible in select models - view Luminii website for list of compatible dimmers.

In ground, Electronic Low Voltage Dimming Power Supplies

MODEL	POWER	OUTPUT	INPUT
IG - CVE	96X2	24	Blank - 120 V 277 - 240/277 V
IG - In ground CVE Series	96X2 - 2 X 96 Watt	24 - 24 VDC	
CVE - ELV Dimming DALI - eldoLED Dali dimming Both dims down to 0.1%			

MODELS	Dual Circuit
A Length	8.40"
B Width	8.30"
Depth	8.10"

