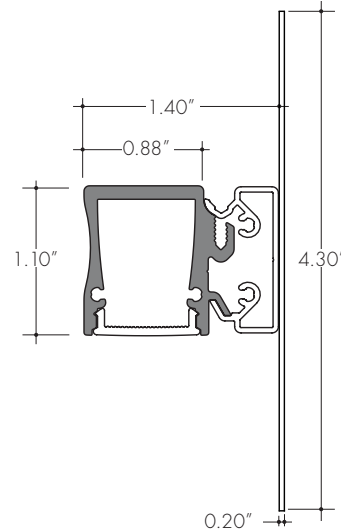


Extruded aluminum linear illumination wall system, Kendo XL20 Wall is available in sections up to 76" long. Specifically designed LED engine provides constant illumination levels from the beginning to the end of the runs. Kendo XL20 Wall can be used for general wall illumination, and many other applications. Available with 72" wire leads. Multiple wall mounting options allow for flexibility in installation. Class 2 listed for damp location.



IC RATED

RoHS



### Finish options



Black powder coated



Bronze powder coated



Silver anodized



White powder coated

### Technical information

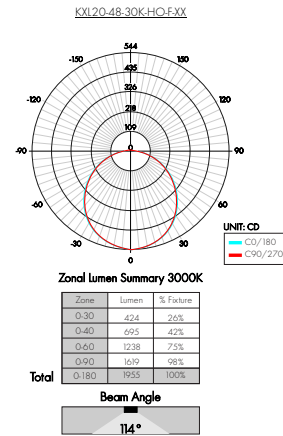
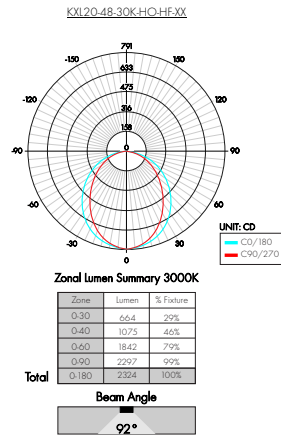
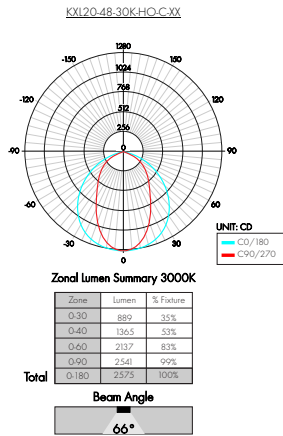
Output type	Output Options	
	SO (LL36X2)	HO (LL54X2)
Lumens at 3000K (Clear lens)	340 lum/ft	515 lum/ft
Average power consumption at 4'	6.5 W/ft	10.4 W/ft
Maximum system length <i>Achievable via feed through fixture wiring.</i>	16'	10'
Operating Voltage	24VDC	24VDC

Color temperature	Multiplier (referenced from 3000K)	TM-30-15 BASED ON LED VALUES		
		CRI	R <sub>f</sub>	R <sub>g</sub>
2200K	0.87	82	81	99
2700K	0.81	98	95	102
2900K	0.86	97	95	102
3000K	1.00	91	90	101
3500K	1.05	95	90	97
4100K	1.28	93	88	96

### Ordering code

MODEL	LENGTH	CCT	OUTPUT	LENS	MOUNTING	FINISH
KXL20 - Kendo XL 20	12 - 76" (4" increments)	22K - 2200 K 27K - 2700 K 29K - 2900 K 30K - 3000 K 35K - 3500 K 41K - 4100 K	SO - Standard HO - High	C - Clear HF - Half Frosted F - Frosted	M1, M1F, M3 (floating options only available for fixtures 36" or longer, refer to page for additional information)	SA - Silver BK - Black BZ - Bronze WH - White <small>(BK,BZ,WH finishes will have an upcharge and require longer lead times)</small>

Photometry



Power consumption per fixture length

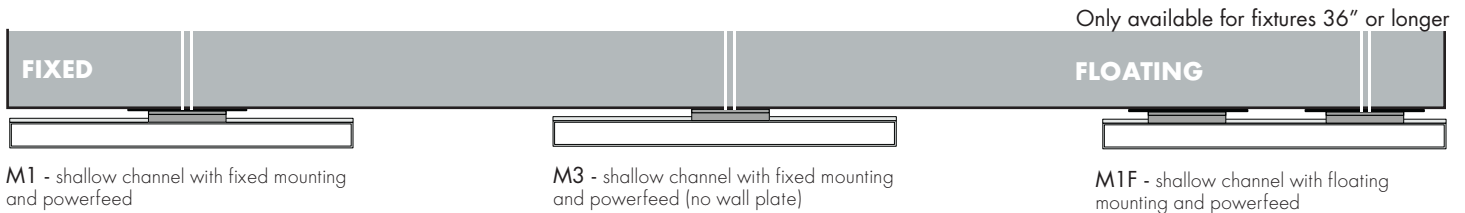
Based on operation with PSD series of power supplies.



Nominal Length	Actual Length	SO		HO		
		W/ft	Total wattage	Actual Length	W/ft	Total wattage
12"	12-12/16"	6.80	6.80	12-11/16"	10.80	10.80
16"	16-10/16"	6.80	8.90	16-10/16"	10.73	13.80
20"	20-10/16"	6.80	11.50	20-10/16"	10.65	16.80
24"	24-8/16"	6.75	13.50	24-9/16"	10.60	19.80
28"	28-7/16"	6.75	15.80	28-7/16"	10.57	23.50
32"	32-7/16"	6.75	17.90	32-7/16"	10.53	27.20
36"	36-5/16"	6.65	19.95	36-6/16"	10.50	30.90
40"	40-4/16"	6.65	22.00	40-5/16"	10.47	34.30
44"	44-4/16"	6.65	24.00	44-4/16"	10.43	37.70
48"	48-3/16"	6.55	26.20	48-3/16"	10.40	41.10
52"	52-2/16"	6.55	28.00	53-7/16"	10.37	44.60
56"	56-1/16"	6.55	30.00	57-6/16"	10.33	48.10
60"	60 "	6.40	32.00	61-5/16"	10.30	51.60
64"	63-15/16"	6.40	34.00	65-4/16"	10.27	55.50
68"	69-13/16"	6.40	35.50	69-3/16"	10.23	59.00
72"	73-12/16"	6.30	37.80	73-2/16"	10.20	63.20
76"	77-11/16"	6.30	39.90	77-1/16"	10.17	66.20

Mounting options

Choice of fixed mounting canopies with central powerfeed or floating canopies with off-center powerfeeds.



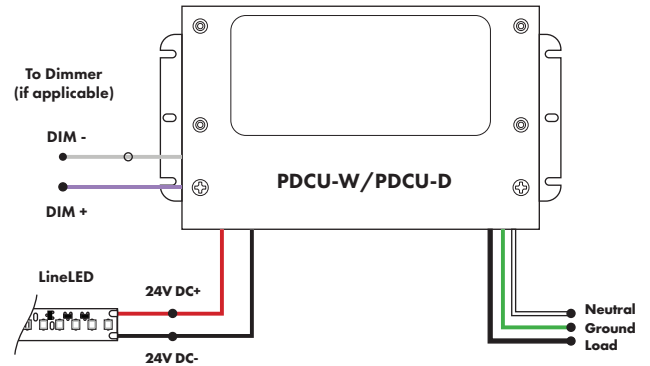
### Power Supply

See fixture and power supply instructions & spec sheet for wiring information. Dimming possible in select models - view Luminii website for list of compatible dimmers.

#### Universal Power Supply

MODEL	POWER	OUTPUT
<b>PDCU-W</b>	<b>96</b>	<b>24</b>
PDCU-W - IP66 Wet Series	96 - 96 W 3X96 - 3X96 W	24 - 24 VDC
PDCU-D - IP20 Dry Series	30 - 30 W 60 - 60 W 96 - 96 W 3X96 - 3X96 W	

0-10V - 1% dimming  
MLV/ELV/TRIAC - 1% dimming, consult dimming compatibility chart  
Compatibility:  
View a complete list of compatible dimmers on product page ([Link](#))

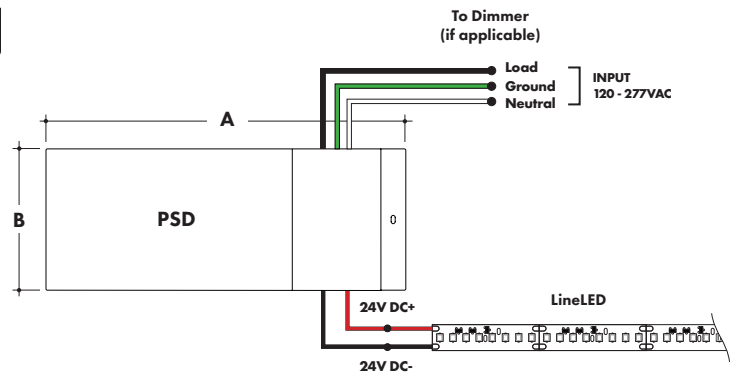


MODELS	PDCU-W 96W	PDCU-W 3X96W	PDCU-D 30W	PDCU-D 60W	PDCU-D 96W	PDCU-D 3X96W
<b>A Length</b>	8.66"	11.85"	6.10"	7.93"	8.25"	9.57"
<b>B Width</b>	3.73"	4.32"	3.35"	3.35"	4.10"	5.94"
<b>Depth</b>	1.61"	1.81"	1.33"	1.32"	1.56"	1.13"

#### Magnetic Low Voltage Dimming Power Supplies

MODEL	POWER	OUTPUT	INPUT
<b>PSD</b>	<b>48</b>	<b>24</b>	
PSD - PSD Series dims down to 0%	48 - 48 Watt 96 - 96 Watt 288 - 288 Watt (3 x 96Watt)	24 - 24 VDC	Blank - 120 V 240 - 240 V 277 - 277 V

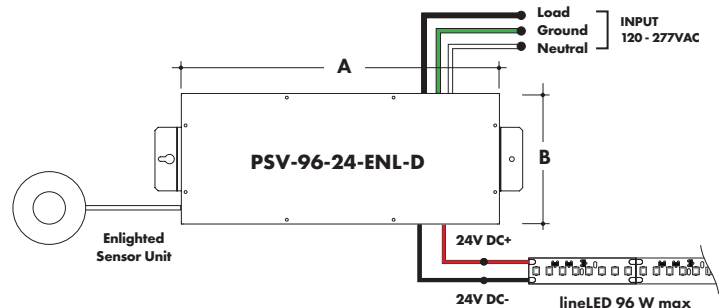
MODELS	48W	96W	288W
<b>A Length</b>	11.25"	11.25"	13.06"
<b>B Width</b>	3.42"	3.42"	8.42"
<b>Depth</b>	3.42"	3.27"	4.47"



#### Enlighted Enabled Dimming Power Supplies:

MODEL	POWER	OUTPUT	DIMMING	LOCATION
<b>PSV</b>	<b>96</b>	<b>24</b>	<b>ENL</b>	<b>D</b>
PSV - PSV Series	96 - 96 Watt	24 - 24 VDC	ENL - Enlighted Dimming	D - Damp

MODELS	96W
<b>A Length</b>	14.40"
<b>B Width</b>	5.20"
<b>Depth</b>	2.60"



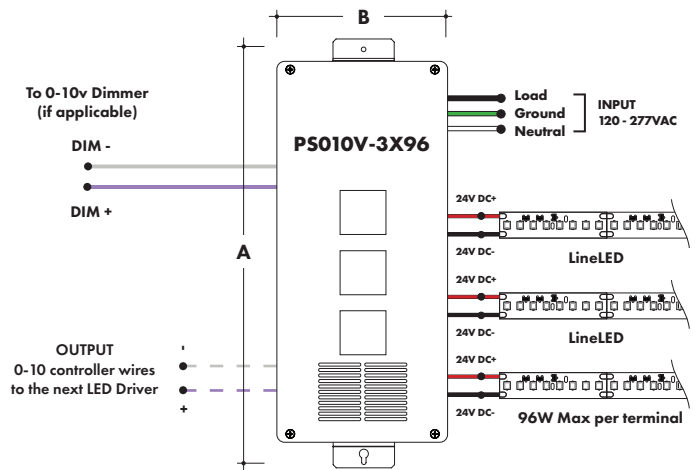
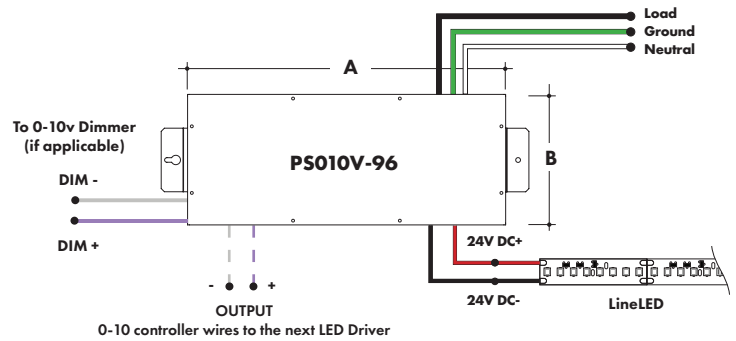
### Power Supply

See fixture and power supply instructions & spec sheet for wiring information. Dimming possible in select models - view Luminii website for list of compatible dimmers.

#### 0-10V Dimming Power Supplies

MODEL	POWER	OUTPUT	DIMMING
<b>PS010V</b>	<b>96</b>	<b>24</b>	<b>LIN</b>
PS010V - 0-10V Power Supply dims down to 0%	96 - 96 Watt 3X96 - 3 X 96 Watt	24 - 24 VDC	LIN - Linear LOG - Logarithmic

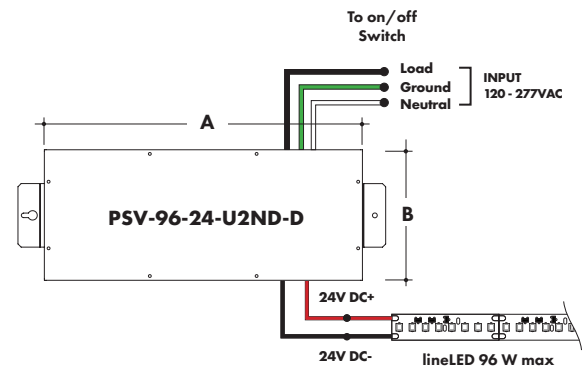
MODELS	96W	3X96
<b>A Length</b>	14.40"	15.75"
<b>B Width</b>	5.20"	6.62"
<b>Depth</b>	2.60"	4.95"



#### Non-Dimming Power Supply

MODEL	POWER	OUTPUT	DIMMING	LOCATION
<b>PSV</b>	<b>96</b>	<b>24</b>	<b>U2ND</b>	<b>D</b>
PSV - PSV Series	96 - 96 Watt	24 - 24 VDC	U2ND - Non Dimming	D - Damp

MODELS	96W
<b>A Length</b>	14.40"
<b>B Width</b>	5.20"
<b>Depth</b>	2.60"



## Power Supply

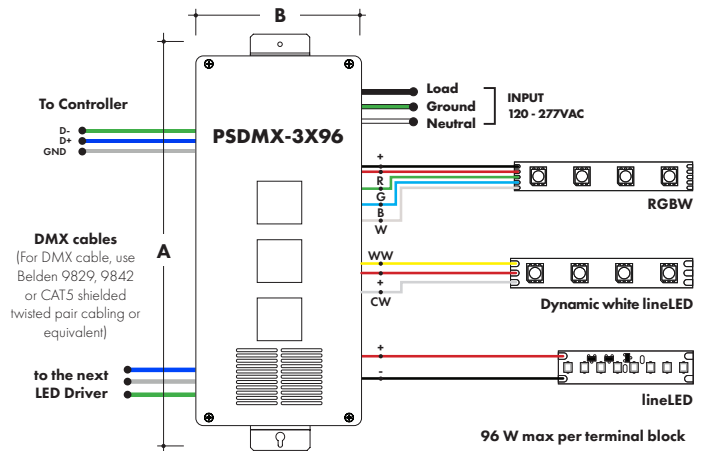
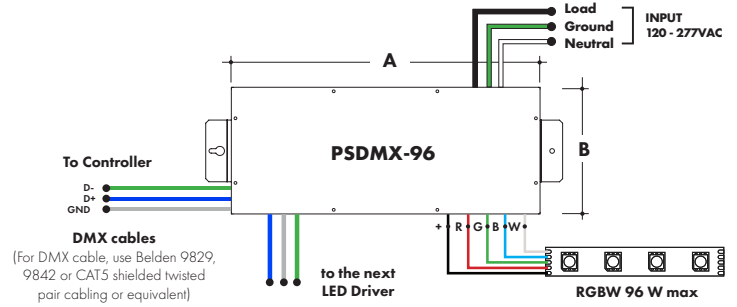
See fixture and power supply instructions & spec sheet for wiring information. Dimming possible in select models - view luminii website for list of compatible dimmers.

### DMX Dimming Power Supplies

MODEL	POWER	OUTPUT
<b>PSDMX</b>	<b>96</b>	<b>24</b>
PSDMX - DMX Power Supply	96 - 96 Watt 3X96 - 3 X 96 Watt	24 - 24 VDC

Features eldoLED's LINEARdrive configurable dimmable drivers

MODELS	96W	3X96
<b>A Length</b>	14.40"	15.75"
<b>B Width</b>	5.20"	6.62"
<b>Depth</b>	2.60"	4.95"

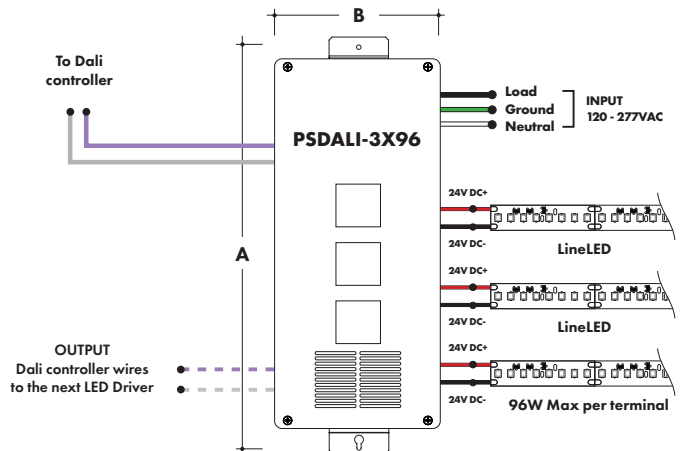
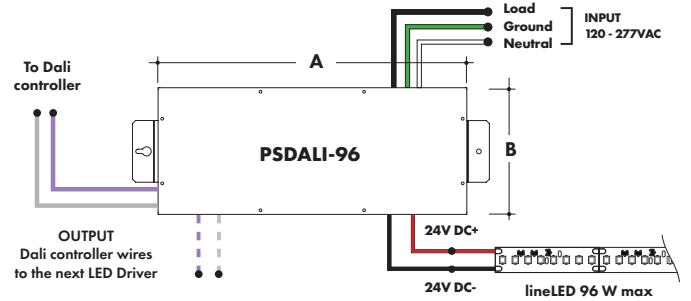


### DALI Dimming Power Supplies

MODEL	POWER	OUTPUT
<b>PSDALI</b>	<b>96</b>	<b>24</b>
PSDALI - DALI Power Supply	96 - 96 Watt 3X96 - 3 X 96 Watt dims down to 0%	24 - 24 VDC

Features eldoLED's LINEARdrive configurable dimmable drivers

MODELS	96W	3X96
<b>A Length</b>	14.40"	15.75"
<b>B Width</b>	5.20"	6.62"
<b>Depth</b>	2.60"	4.95"



**Power Supply**

See fixture and power supply instructions & spec sheet for wiring information. Dimming possible in select models - view Luminii website for list of compatible dimmers.



Luminii is a Lutron OEM Advantage Partner

MODEL

**LTEA4U1UKL-CV240**

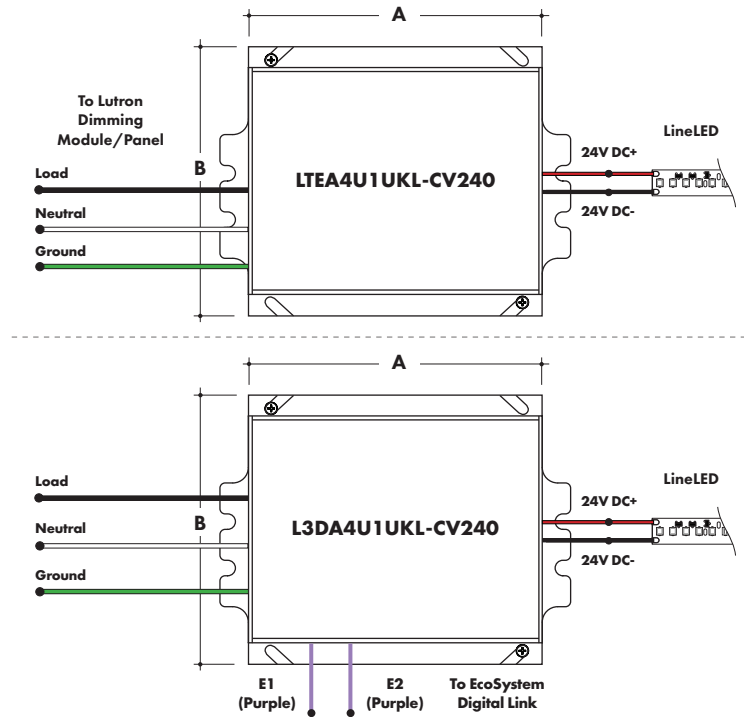
Lutron - HiLume™ 1% 2-wire LED Driver  
(120V forward phase only)

MODEL

**L3DA4U1UKL-CV240**

HiLume™ 1% EcoSystem Voltage LED driver

MODELS	LTEA4U1UKL-CV240	L3DA4U1UKL-CV240
<b>A Length</b>	4.89"	4.98"
<b>B Width</b>	4.00"	4.00"
<b>Depth</b>	2.62"	2.62"



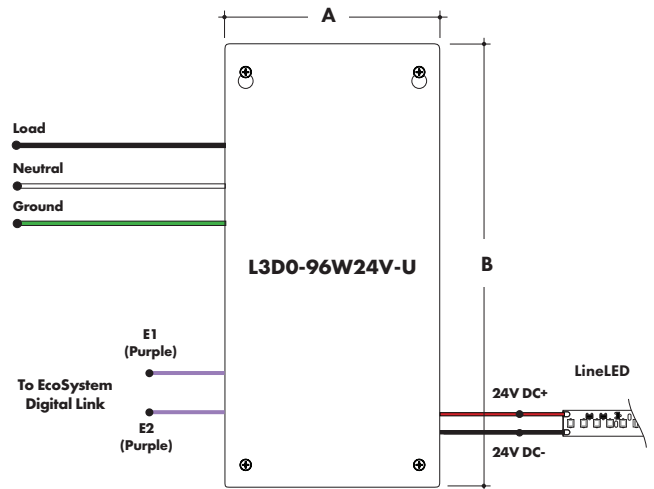
Luminii is a Lutron OEM Advantage Partner

MODEL

**L3D0-96W24V-U**

HiLume™ 0.1% EcoSystem Voltage LED Driver with Soft-On, Fade-to-Black™

MODELS	L3D0
<b>A Length</b>	10.50"
<b>B Width</b>	5.50"
<b>Depth</b>	2.00"



### Power Supply

See fixture and power supply instructions & spec sheet for wiring information. Dimming possible in select models - view Luminii website for list of compatible dimmers.

#### In ground, Electronic Low Voltage Dimming Power Supplies

MODEL	POWER	OUTPUT	INPUT
<b>IG</b> - CVE	<b>96X2</b>	<b>24</b>	Blank - 120 V 277 - 240/277 V
IG - In ground CVE Series	96X2 - 2 X 96 Watt	24 - 24 VDC	
CVE - ELV Dimming DALI - eldoLED Dali dimming			
Both dims down to 0.1%			

MODELS	Dual Circuit
<b>A Length</b>	8.40"
<b>B Width</b>	8.30"
<b>Depth</b>	8.10"

