



Features

- 24VDC Class 2 fixtures made to order up to 144". Fixtures can be linked up to 27' depending on output
- Suitable for undercabinet, millwork recessed and surface mount applications
- Approved for closet/storage space installation per NEC 410.16(A)(3) and 410.16(C)(5)
- Dot free even illumination achievable with frosted lens
- Louvers and Glare Shields available for clear, half-frosted, frosted & graze lens
- Vibrant colors with R9 values up to 98
- Single micro binned LEDs +/- 30 CCT
- Dims with minimal color shift
- Class 2 listed for damp locations
- Proprietary strong bond solder method handles up to 50lbs of torque on wire leads and connectors
- 5 Year warranty



Finish options



Silver anodized

IC RATED

Black powder coated

RoHS Compliant

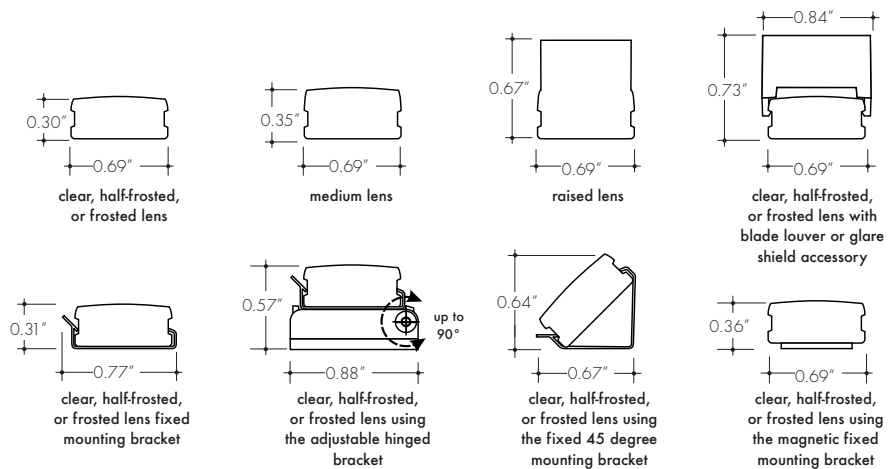
Bronze powder coated



White powder coated



Profile dimensions



Technical information

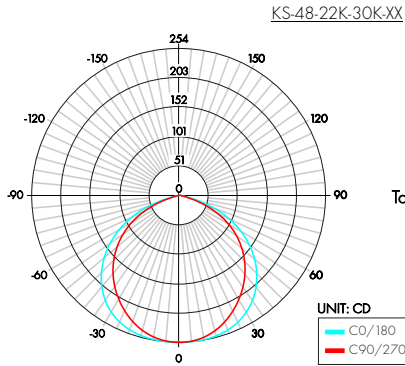
Output	Lumens (with frosted lens)	Average power consumption at 4'	Lumens / Watt (with frosted lens)	Maximum system length In series
19K-27K (LLDW52)	72 lm/ft (19K) 77 lm/ft (27K) 147 lm/ft (22K all on)	4.3 W/ft (w/ both colors full on) 2.1 W/ft average when using PS010WD power supply	33 lm/W	27'
22K-30K (LLDW52)	82 lm/ft (22K) 105 lm/ft (30K) 189 lm/ft (22K all on)	4.3 W/ft (w/ both colors full on) 2.1 W/ft average when using PS010WD power supply	42 lm/W	27'

Ordering code

MODEL	LENGTH	CCT	OUTPUT	LENS	MOUNTING	FINISH	POWER FEED POSITION / TYPE	ACCESSORIES	
KS	12	19K-27K	MO	C	FC	SA	E	I	
KS - Kendo S	12"-144" 4" increments	19K-27K - 1900K - 2700K 22K-30K - 2200K - 3000K	MO - Medium	C - Clear HF - Half-Frosted F - Frosted G - Graze *R - Raised	FC - Fixed clip AH - Adjustable hinge mounting FC45 - Fixed clip 45 degree MAG - Magnetic	SA - Silver BK - Black BZ - Bronze WH - White <small>(BK,BZ,WH finishes will have an up-charge and require longer lead times)</small>	E - End B - Back	1 - 72" wire leads 1X2 - 72" wire leads at both ends	- N/A, leave blank BLS - Blade louver, Silver BLBK - Blade louver, Black BLWH - Blade louver, White GSS - Glare shield, Silver GSBK - Glare shield, Black GSWH - Glare shield, White

*Will not work with Accessories

Photometry

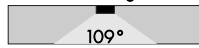


Zonal Lumen Summary 22K - 30K

Zone	Lumen	% Fixture
0-30	199	26%
0-40	330	44%
0-60	588	78%
0-90	747	99%
0-180	757	100%

Total

Beam Angle

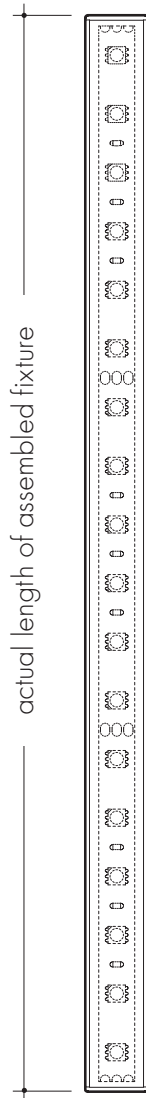


Light Transmission

Lens/Accessory	Percentage Light Transmission
clear lens	100%
medium lens	96%
medium lens w/ white glare shield	83%
half-frosted lens	77%
raised lens	67%
frosted lens	66%
medium lens w/ white blade louver	57%

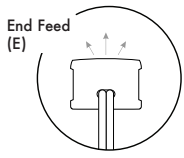
Power consumption per fixture length

Based on operation with PSD series of power supplies.

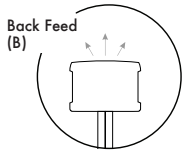


Nominal Length	Actual Length	MO	
		W/ft	Total wattage
12"	12-3/16"	4.60	4.60
16"	17-14/16"	4.63	6.20
20"	20-10/16"	4.67	7.80
24"	23-7/16"	4.70	9.40
28"	29-1/16"	4.60	10.70
32"	31-14/16"	4.50	11.92
36"	37-9/16"	4.40	13.20
40"	40-5/16"	4.38	14.60
44"	45-15/16"	4.36	16.00
48"	48-14/16"	4.35	17.40
52"	51-9/16"	4.31	19.00
56"	57-4/16"	4.28	20.60
60"	60 "	4.24	22.25
64"	65-10/16"	4.28	23.53
68"	68-7/16"	4.31	24.81
72"	71-4/16"	4.35	26.10
76"	76-15/16"	4.33	27.40
80"	79-11/16"	4.32	28.70
84"	85-5/16"	4.30	30.10
88"	88-3/16"	4.27	31.30
92"	93-12/16"	4.24	32.50
96"	96-10/16"	4.21	33.70
100"	99-6/16"	4.20	35.00
104"	105 "	4.19	36.30
108"	107-14/16"	4.18	37.60
112"	110-10/16"	4.21	39.30
116"	116-5/16"	4.23	41.00
120"	121-15/16"	4.26	42.60
124"	124-12/16"	4.26	44.00
128"	127-9/16"	4.25	45.40
132"	133-3/16"	4.25	46.70
136"	136-1/16"	4.21	47.67
140"	141-10/16"	4.17	48.64
144"	144-7/16"	4.13	49.60

Powerfeed Positions / Type



72" wire leads (1)



72" wire leads at both end (1X2)



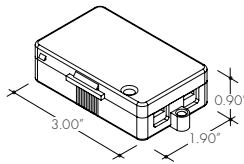
Lead wires end



Accessory Options

Splice Box:
Low voltage, 4 terminal splice box, black

Part # LVSP-4T-BK

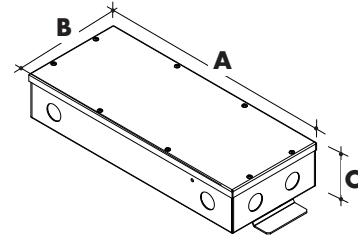


Power supply

See fixture and power supply instructions & spec sheet for wiring information. Dimming possible in select models - view Luminii website for list of compatible dimmers.

Non-Dimming Power Supply

MODEL	POWER	OUTPUT	DIMMING	LOCATION
PSV	96	24	U2ND	D
PSV - PSV Series	96 - 96 Watt	24 - 24 VDC	U2ND - Non Dimming	D - Dry Location



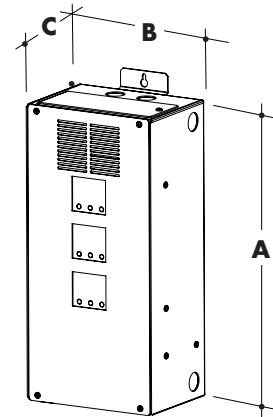
MODELS	96W
A Length	14.40"
B Width	5.20"
C Depth	2.60"

DMX

MODEL	POWER	OUTPUT
PSDMX	96	24
PSD - DMX Power Supply	96 - 96 Watt 3X96 - 3 X 96 Watt	24 - 24 VDC

Features eldoLED's LINEARdrive configurable dimmable drivers

MODELS	96 W	3X96 W
A Length	14.4"	15.75"
B Width	5.20"	6.60"
C Depth	2.60"	4.80"

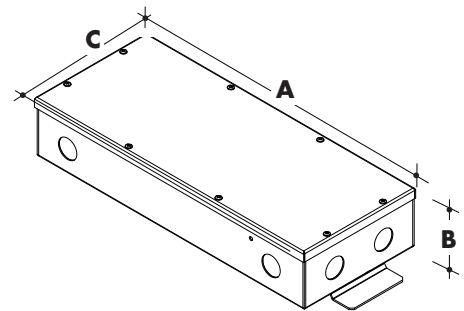


Warm Dimming via 0-10V

MODEL	POWER	OUTPUT
PS010WD	96	24
PS010WD - 0-10 Warm dim LED Power Supply	96 - 96 Watt	24 - 24 VDC

Requires a 0-10V controller to work properly

MODELS	PS010
A Length	14.40"
B Width	2.60"
C Depth	5.20"



Power supply

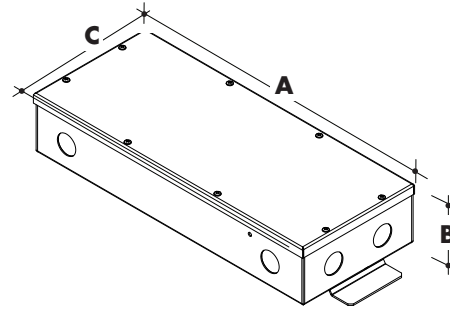
See fixture and power supply instructions & spec sheet for wiring information. Dimming possible in select models - view Luminii website for list of compatible dimmers.

Tunable White via 0 - 10V

MODEL	POWER	OUTPUT
PS010TW	96	24
PS010TW - 0-10 Tunable White LED Driver	96 - 96 Watt	24 - 24 VDC

Requires two 0-10V controllers to work properly

MODELS	PS010
A Length	14.40"
B Width	2.60"
C Depth	5.20"



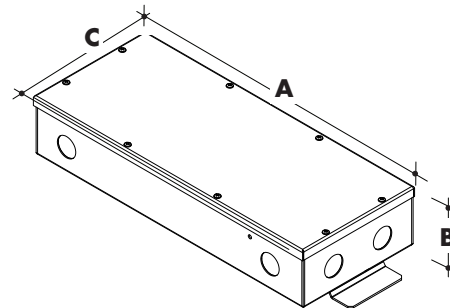
Customizable Dim to Warm or Variable White via 0 - 10V

MODEL	POWER	OUTPUT	CONTROL
PS010V	96	24	WW
PS010V - 0-10 LED Driver	96 - 96 Watt	24 - 24 VDC	

- WW - Standard One Channel - Dim To Warm Curve
- W2C - Standard Two Channel - Dim 1: Intensity; Dim 2: CCT
- W21 - Standard Two Channel - Dim 1: Warm Channel Intensity; Dim 2: Cool Channel Intensity
- W1X - Custom One Channel - Dim To Warm Curve
- W2X - Custom two Channel - Dim 1: Intensity; Dim 2: CCT

Requires a 0-10V controller to work properly

MODELS	PS010V
A Length	14.40"
B Width	2.60"
C Depth	5.20"



Controllers

DDW-MC: Dynamic White controller



ORDERING CODE

DDW-MC

DDW-MC - Dynamic white controller

Dynamic white wall-mount controller controls lighting fixtures, wireless control of DW lighting fixture. Fits in any standard US switch box. Includes all the outputs in the back of the controller.

Control brightness levels with a single touch, personalize and memorize 3 different scenes, and even create 3 variations of white.

Operating voltage

3V DC battery

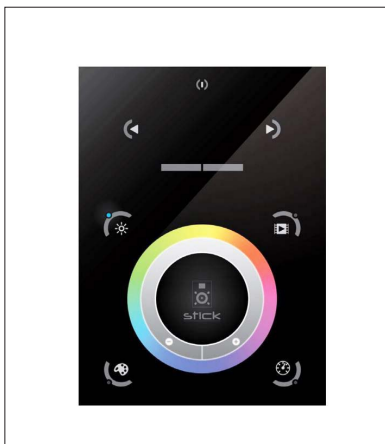
Features

- Switch and dimming control function, control range > 20M.
- Switch on/off of lighting slowly, without any flash, meet the comfort of human eyes.
- Switch from color dimming to adjust color temperature.
- Enable to control 1 zones separately, each zone can be set endless receivers, each receiver maximally be controlled by 8 different remotes.
- Enable be dimmed, switch ON/OFF and adjust color temperature by push button after connecting receivers.

Color parameters

- Brightness
- Saturation
- Fading

TSDMX-E: Touchscreen DMX controller



ORDERING CODE

TSDMX-E

TSDMX-E - Touchscreen DMX controller

Programmable advanced DMX512 lighting controller featuring a touch-screen interface. Operates as stand alone controller or integrated with most architectural lighting control systems. Can controller endless DMX512 enabled devices.

Mounts to standard single or dual gang wall box with the included power supply inside the junction box. Terminal block design for power and data connections.

Power supply

7 VDC (included)

Programmability

PC, Mac, Tablet, Smartphone

Output signal

DMX512 (1024 channels)

Color parameters

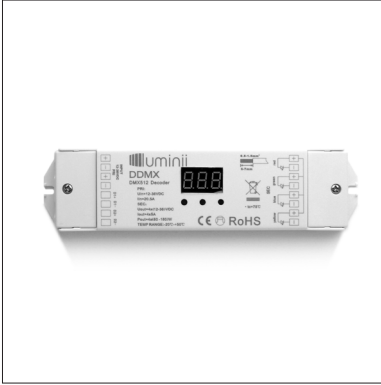
- Brightness
- Saturation
- Speed of color changing sequence
- Fading / dimming / brightness

Key Features

- Sleek glass design which sits 0.43" from the wall
- Graphical color display to show selected environment
- Color/dimmer/speed palette
- Color temperature mixing
- Touch sensitive buttons. No mechanical parts
- Touch sensitive wheel allows for accurate color selection
- Multi-zone microSD memory
- Multi-room control with 500 scenes, 10 zones
- 1024 DMX channels. Control 340 RGB fixtures
- USB & Ethernet connectivity

DMX decoder

DMX signal to RGBW decoder (required to operate DMX controller, decoder not needed if using PSDMX power supply)



ORDERING CODE

DDMX-RGBW

DDMX-RGB - DMX decoder

Translates controller DMX512 programs for RGB and white LED strips.

Unique DMX address for the decoder can be set easily and displayed by the numeric display on the case. Changing and resetting the DMX address requires manual input.

Use power repeater to expand output.

Operating voltage
12-36 VDC

Power capacity
up to 96W at 24V

Operating temperature range
from -4 °F to +122 °F in case

RGBW-RC-R

Dynamic white receiver



ORDERING CODE

RGBW-RC-R

RGBW-RC-R - Dynamic white receiver

The DDW receiver is easily paired with controller by the click of a button. Receiver can be reset to factory settings at any time.

Each receiver can store one static DW color, one color sequence, and one brightness setting for the white LED strip. Receivers assigned to the same scene within the same zone will have the same LED static color and color sequence.

Operating voltage
12-36 VDC

Power capacity
up to 96W at 24V

Operating temperature range
from -4 °F to +122 °F in case