



### Features

- 24VDC Class 2 fixtures made to order up to 144". Fixtures can be linked up to 16' depending on output
- Suitable for undercabinet, millwork ground recessed, and ceiling recessed applications
- Approved for closet/storage space installation per NEC 410.16(A)(3) and 410.16(C)(5)
- Dot free even illumination achievable with frosted lens
- Vibrant colors with R9 values up to 98
- Single micro binned LEDs +/- 30 CCT
- Dims with minimal color shift
- Class 2 listed for wet locations
- Proprietary strong bond solder method handles up to 50lbs of torque on wire leads and connectors
- 3 Year warranty



### Finish options

IP68



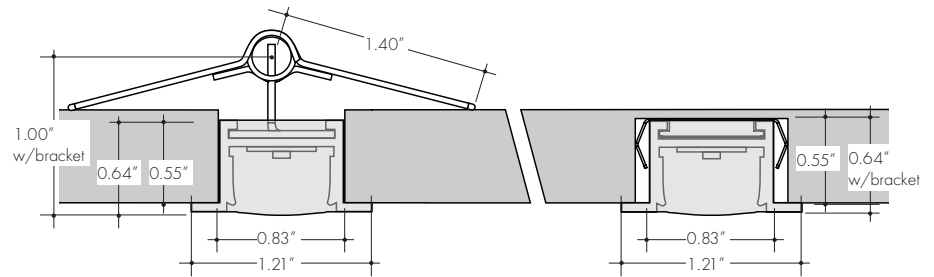
IC RATED

RoHS



- Silver anodized
- Black powder coated
- Bronze powder coated
- White powder coated

### Profile dimensions



Kendo RXLW using the gypsum surface mounting bracket option, for surfaces such as drywall, plaster, etc.

Kendo RXLW using the hard surface mounting bracket option, for surfaces such as wood, stone, tile, etc.

### Technical information

#### OUTPUT OPTIONS

Output	Lumens at 3000K (with clear lens)	Average power consumption at 4'	Lumens / Watt (with clear lens)	Maximum system length In series
SO (LL36X2)	357 lm/ft	6.5 W/ft	55 lm/W	16'
HO (LL54X2)	537 lm/ft	10.4 W/ft	52 lm/W	10'

#### CCT INFO/LUMEN MULTIPLIER

Color temperature	Multiplier (reference - 4000K)	CRI	R <sub>f</sub>	R <sub>g</sub>
2700K	0.81	97	95	101
3000K	1.00	91	89	98
3500K	1.05	94	90	102
4000K	1.28	94	86	96

#### TM-30-15

### Ordering code

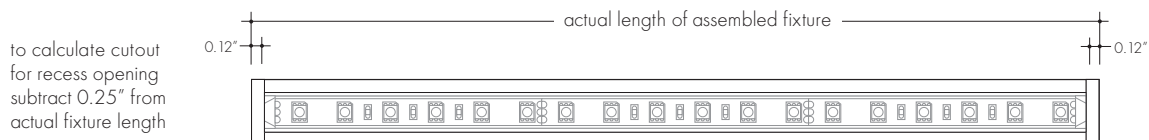
MODEL	LENGTH	CCT	OUTPUT	LENS	MOUNTING	FINISH	POWER FEED POSITION / TYPE
KRXLW	12	27K	SO	C	HS	SA	B
KRXLW - Kendo RXL Wet	12" - 144" 4" increments	27K - 2700 K 30K - 3000 K 35K - 3500 K 41K - 4100 K	SO - Standard *HO - High	C - Clear F - Frosted	HS - Hard surface mounting bracket GS - Gypsum surface mounting bracket NB - No bracket	SA - Silver BK - Black BZ - Bronze WH - White [BK,BZ,WH finishes will have an upcharge and require longer lead times]	B - Back  1 - 72" wire leads 1X2 - 72" wire leads at both ends 2 - 72" wire leads at one end and quick connect at other 3 - Single quick connect 4 - Dual quick connect

\*Not available over 120"

### Power consumption per fixture length

Based on operation with PSD series of power supplies.

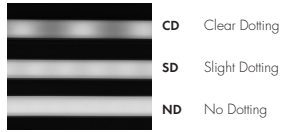
Nominal Length	SO			HO		
	Actual Length	W/ft	Total wattage	Actual Length	W/ft	Total wattage
12"	13-2/16"	6.80	6.8	13-1/16"	10.80	10.8
16"	17 "	6.78	8.9	17 "	10.73	13.8
20"	21 "	6.76	11.5	21 "	10.67	16.8
24"	24-14/16"	6.75	13.5	24-15/16"	10.60	19.8
28"	28-13/16"	6.72	15.8	28-13/16"	10.50	23.5
32"	32-13/16"	6.69	17.9	32-13/16"	10.40	27.2
36"	36-11/16"	6.65	19.95	36-12/16"	10.30	30.9
40"	40-10/16"	6.62	22	40-11/16"	10.29	34.3
44"	44-10/16"	6.59	24	44-10/16"	10.28	37.7
48"	48-9/16"	6.55	26.2	48-9/16"	10.28	41.1
52"	52-8/16"	6.50	28	53-13/16"	10.27	44.6
56"	56-7/16"	6.45	30	57-12/16"	10.26	48.1
60"	60-6/16"	6.40	32	61-11/16"	10.25	51.6
64"	64-5/16"	6.37	34	65-10/16"	10.23	55.5
68"	70-3/16"	6.34	35.5	69-9/16"	10.22	59
72"	74-2/16"	6.30	37.8	73-8/16"	10.20	63.2
76"	78-1/16"	6.27	39.66	77-7/16"	10.17	66.2
80"	82-1/16"	6.24	41.5	81-7/16"	10.14	69.12
84"	85-15/16"	6.20	43.4	85-6/16"	10.10	72.1
88"	89-14/16"	6.17	45.2	89-4/16"	10.00	74.5
92"	93-13/16"	6.14	47	93-3/16"	9.96	76.9
96"	97-12/16"	6.10	48.8	97-3/16"	9.90	79.4
100"	101-12/16"	6.07	50.5	101-2/16"	9.87	82.3
104"	105-10/16"	6.04	52.3	105-1/16"	9.83	85.2
108"	109-10/16"	6.00	54	109 "	9.80	88.1
112"	113-9/16"	5.98	55.8	112-15/16"	9.77	90.7
116"	117-7/16"	5.97	57.7	116-14/16"	9.73	93.3
120"	121-7/16"	5.95	59.5	120-14/16"	9.70	96
124"	125-6/16"	5.92	61.1			
128"	129-4/16"	5.89	62.7			
132"	133-4/16"	5.85	64.35			
136"	137-3/16"	5.83	66			
140"	141-2/16"	5.81	67.9			
144"	145-1/16"	5.80	69.6			



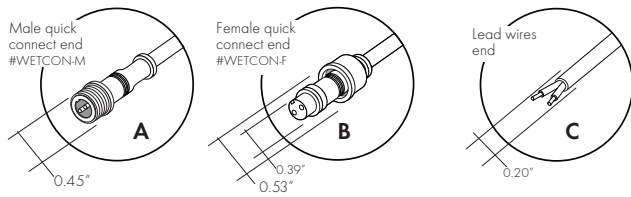
LED Dotting per extrusion

**LED Dotting per output/lens**

Output Type	Lens Type	
	Clear	Frosted
SO (LL36X2)	CD	ND
HO (LL54X2)	CD	ND

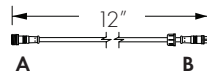


### Connectors

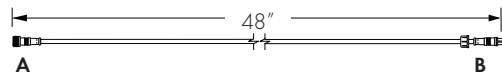


### Linking and Extension Cable

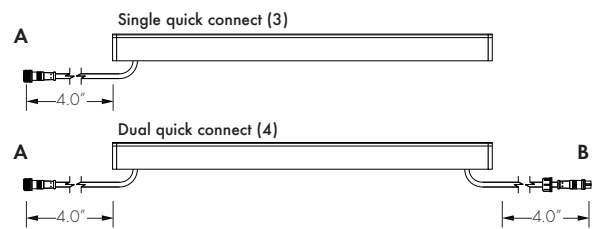
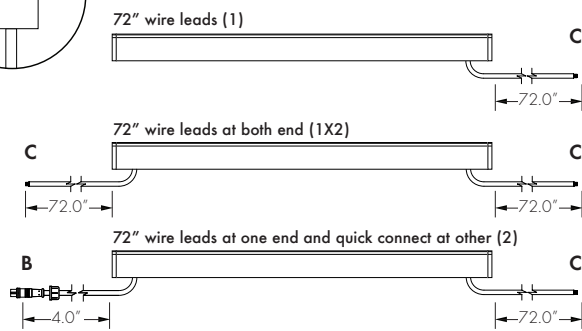
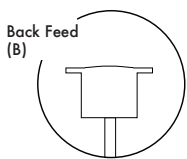
Male/female Joiner 12" - Part # IP67-12



Male/female Joiner 48" - Part # IP67-48

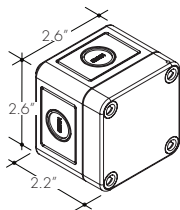


### Powerfeed Position / Type

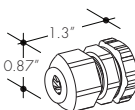


### Accessory options

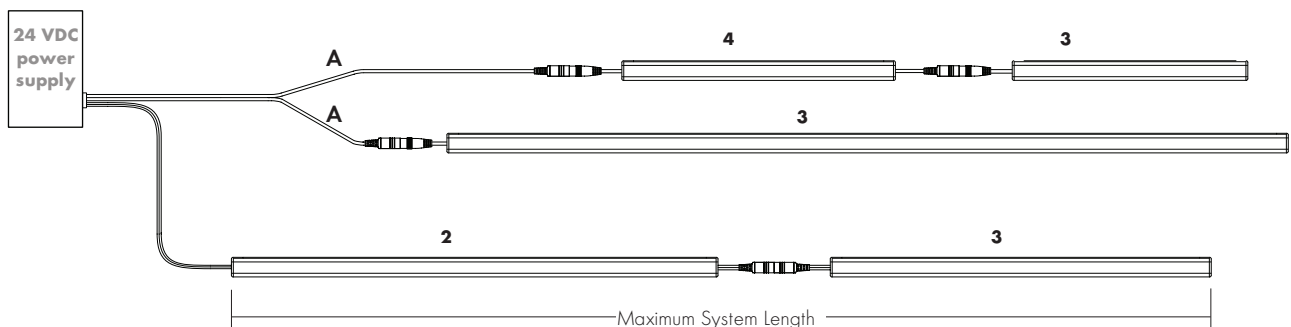
Splice Box:  
Wet rated, low voltage  
splice box, gray  
Part # LVSP-WET



Connector:  
Low voltage splice box  
wet cable management  
gray  
Part # LVSP-WET-CM



### Sample layout of powerfeed connections



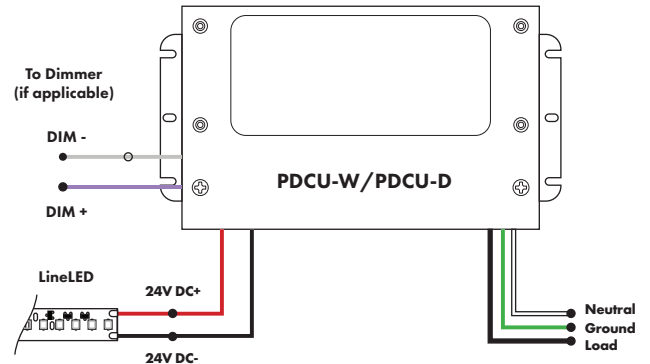
### Power Supply

See fixture and power supply instructions & spec sheet for wiring information. Dimming possible in select models - view Luminii website for list of compatible dimmers.

#### Universal Power Supply

MODEL	POWER	OUTPUT
<b>PDCU-W</b>	<b>96</b>	<b>24</b>
PDCU-W - IP66 Wet Series	96 - 96 W 3X96 - 3X96 W	24 - 24 VDC
PDCU-D - IP20 Dry Series	30 - 30 W 60 - 60 W 96 - 96 W 3X96 - 3X96 W	

0-10V - 1% dimming  
MLV/ELV/TRIAC - 1% dimming, consult dimming compatibility chart  
Compatibility:  
View a complete list of compatible dimmers on product page ([Link](#))

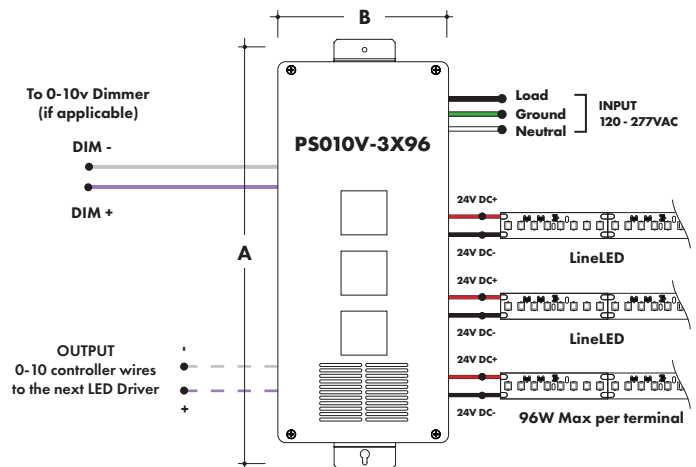
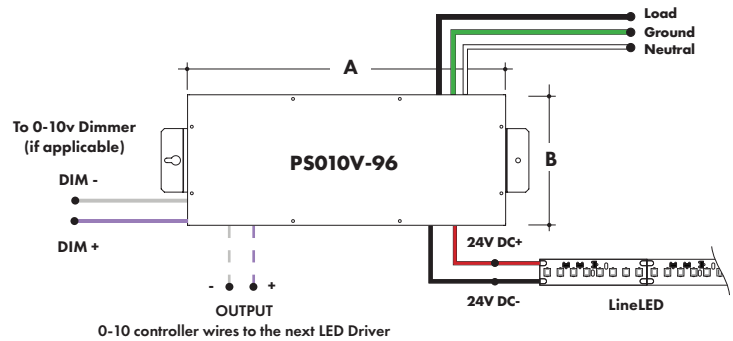


MODELS	PDCU-W 96W	PDCU-W 3X96W	PDCU-D 30W	PDCU-D 60W	PDCU-D 96W	PDCU-D 3X96W
<b>A Length</b>	8.66"	11.85"	6.10"	7.93"	8.25"	9.57"
<b>B Width</b>	3.73"	4.32"	3.35"	3.35"	4.10"	5.94"
<b>Depth</b>	1.61"	1.81"	1.33"	1.32"	1.56"	1.13"

#### 0-10V Dimming Power Supplies

MODEL	POWER	OUTPUT	DIMMING
<b>PS010V</b>	<b>96</b>	<b>24</b>	<b>LIN</b>
PS010V - 0-10V Power Supply dims down to 0%	96 - 96 Watt 3X96 - 3 X 96 Watt	24 - 24 VDC	LIN - Linear LOG - Logarithmic

MODELS	96W	3X96
<b>A Length</b>	14.40"	15.75"
<b>B Width</b>	5.20"	6.62"
<b>Depth</b>	2.60"	4.95"



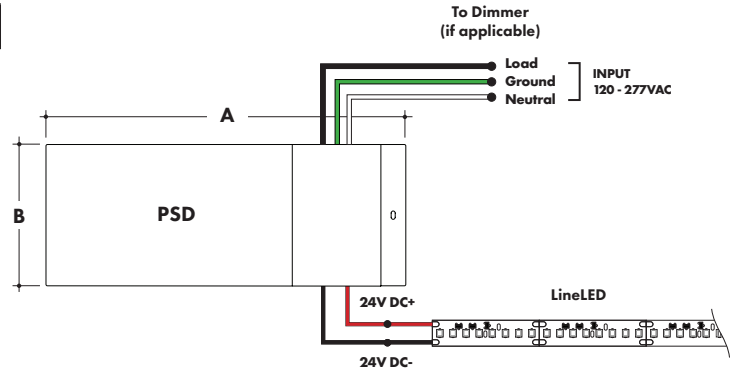
**Power Supply**

See fixture and power supply instructions & spec sheet for wiring information. Dimming possible in select models - view Luminii website for list of compatible dimmers.

**Magnetic Low Voltage Dimming Power Supplies**

MODEL	POWER	OUTPUT	INPUT
<b>PSD</b>	<b>48</b>	<b>24</b>	
PSD - PSD Series dims down to 0%	48 - 48 Watt 96 - 96 Watt 288 - 288 Watt (3 x 96Watt)	24 - 24 VDC	Blank - 120 V 240 - 240 V 277 - 277 V

MODELS	48W	96W	288W
<b>A Length</b>	11.25"	11.25"	13.06"
<b>B Width</b>	3.42"	3.42"	8.42"
<b>Depth</b>	3.42"	3.27"	4.47"

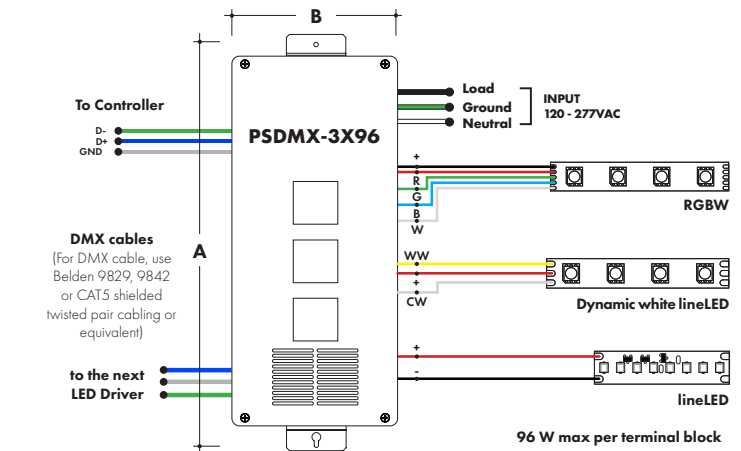
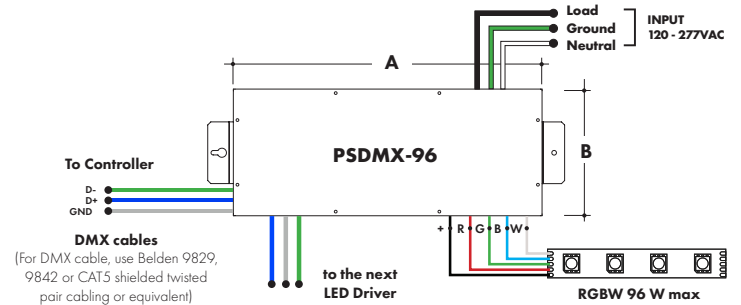


**DMX Dimming Power Supplies**

MODEL	POWER	OUTPUT
<b>PSDMX</b>	<b>96</b>	<b>24</b>
PSDMX - DMX Power Supply	96 - 96 Watt 3X96 - 3 X 96 Watt	24 - 24 VDC

Features eldoLED's LINEARdrive configurable dimmable drivers

MODELS	96W	3X96
<b>A Length</b>	14.40"	15.75"
<b>B Width</b>	5.20"	6.62"
<b>Depth</b>	2.60"	4.95"



### Power Supply

See fixture and power supply instructions & spec sheet for wiring information. Dimming possible in select models - view Luminii website for list of compatible dimmers.

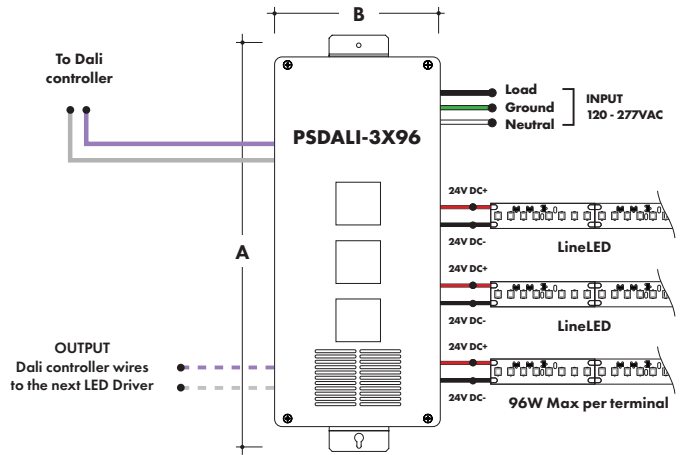
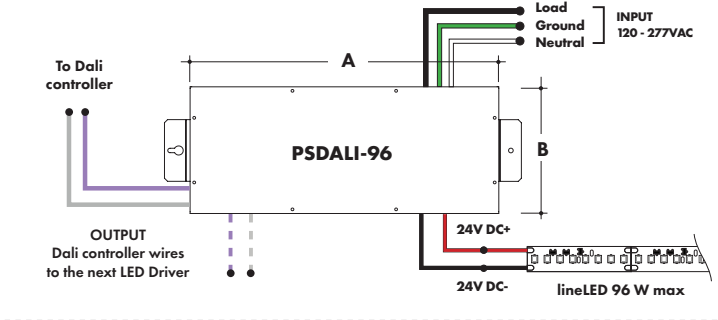
#### DALI Dimming Power Supplies

MODEL	POWER	OUTPUT
<b>PSDALI</b>	<b>96</b>	<b>24</b>

PSDALI - DALI Power Supply  
 dims down to 0%  
 96 - 96 Watt  
 3X96 - 3 X 96 Watt  
 24 - 24 VDC

Features eldoLED's LINEARdrive configurable dimmable drivers

MODELS	96W	3X96
<b>A Length</b>	14.40"	15.75"
<b>B Width</b>	5.20"	6.62"
<b>Depth</b>	2.60"	4.95"

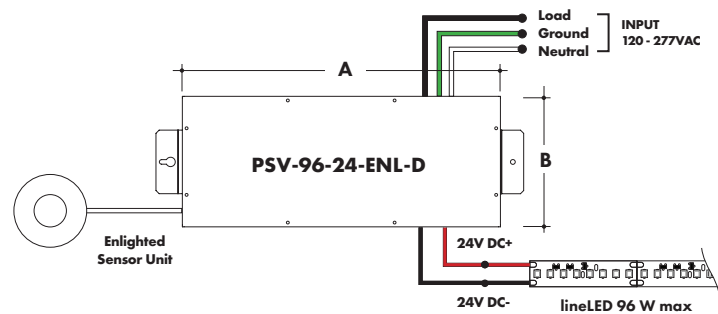


#### Enlighted Enabled Dimming Power Supplies:

MODEL	POWER	OUTPUT	DIMMING	LOCATION
<b>PSV</b>	<b>96</b>	<b>24</b>	<b>ENL</b>	<b>D</b>

PSV - PSV Series 96 - 96 Watt 24 - 24 VDC ENL - Enlighted Dimming D - Damp

MODELS	96W
<b>A Length</b>	14.40"
<b>B Width</b>	5.20"
<b>Depth</b>	2.60"

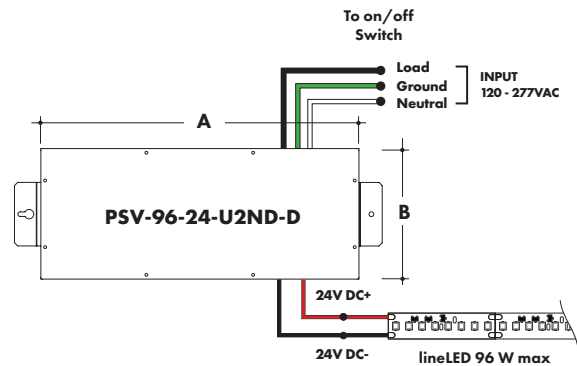


#### Non-Dimming Power Supply

MODEL	POWER	OUTPUT	DIMMING	LOCATION
<b>PSV</b>	<b>96</b>	<b>24</b>	<b>U2ND</b>	<b>D</b>

PSV - PSV Series 96 - 96 Watt 24 - 24 VDC U2ND - Non Dimming D - Damp

MODELS	96W
<b>A Length</b>	14.40"
<b>B Width</b>	5.20"
<b>Depth</b>	2.60"



**Power Supply**

See fixture and power supply instructions & spec sheet for wiring information. Dimming possible in select models - view Luminii website for list of compatible dimmers.



Luminii is a Lutron OEM Advantage Partner

MODEL

**LTEA4U1UKL-CV240**

Lutron - HiLume™ 1% 2-wire LED Driver

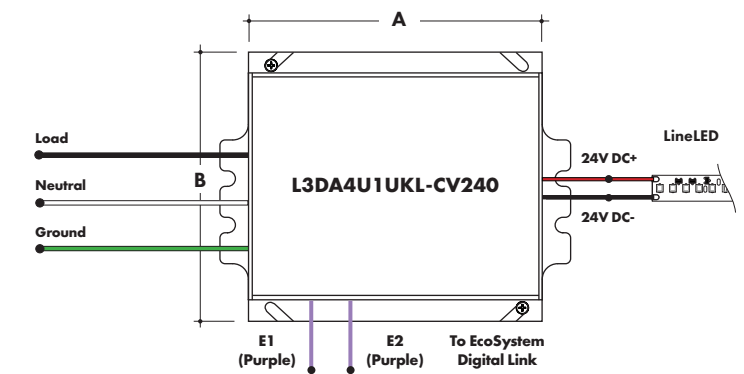
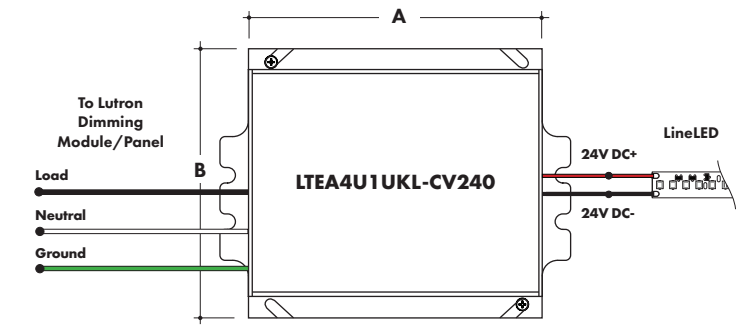
(120V forward phase only)

MODEL

**L3DA4U1UKL-CV240**

HiLume™ 1% EcoSystem Voltage LED driver

MODELS	LTEA4U1UKL-CV240	L3DA4U1UKL-CV240
<b>A Length</b>	4.89"	4.98"
<b>B Width</b>	4.00"	4.00"
<b>Depth</b>	2.62"	2.62"



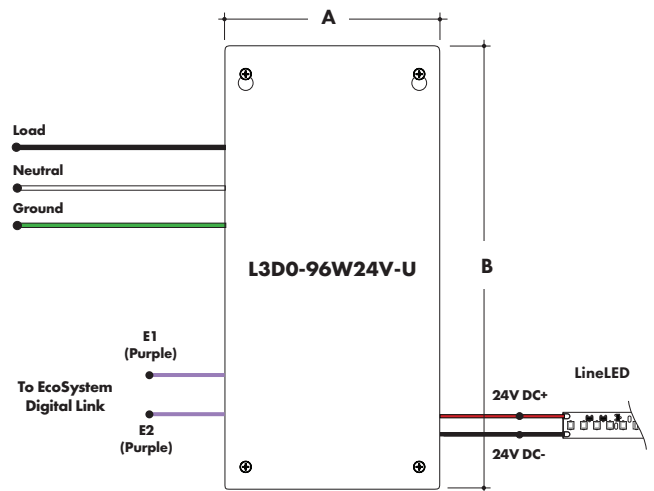
Luminii is a Lutron OEM Advantage Partner

MODEL

**L3D0-96W24V-U**

HiLume™ 0.1% EcoSystem Voltage LED Driver with Soft-On, Fade-to-Black™

MODELS	L3D0
<b>A Length</b>	10.50"
<b>B Width</b>	5.50"
<b>Depth</b>	2.00"





### Power Supply

See fixture and power supply instructions & spec sheet for wiring information. Dimming possible in select models - view Luminii website for list of compatible dimmers.

#### In ground, Electronic Low Voltage Dimming Power Supplies

MODEL	POWER	OUTPUT	INPUT
<b>IG</b> - CVE	<b>96X2</b>	<b>24</b>	Blank - 120 V 277 - 240/277 V
IG - In ground CVE Series	96X2 - 2 X 96 Watt	24 - 24 VDC	
CVE - ELV Dimming DALI - eldoLED Dali dimming			
Both dims down to 0.1%			

MODELS	Dual Circuit
<b>A Length</b>	8.40"
<b>B Width</b>	8.30"
<b>Depth</b>	8.10"

