



Features

- Efficacy up to 113 lm/w - a 38% increase over the standard KRS model
- 24VDC Class 2 fixtures made to order up to 144". Fixtures can be linked up to 55' depending on output
- Suitable for undercabinet, millwork ground recessed, and ceiling recessed applications
- Approved for closet/storage space installation per NEC 410.16(A)(3) and 410.16(C)(5)
- Single micro binned LEDs +/- 30 CCT
- Dims with minimal color shift
- Class 2 listed for damp locations
- Proprietary strong bond solder method handles up to 50lbs of torque on wire leads and connectors
- 5 Year warranty



Finish options



Silver anodized

IC RATED



Black powder coated



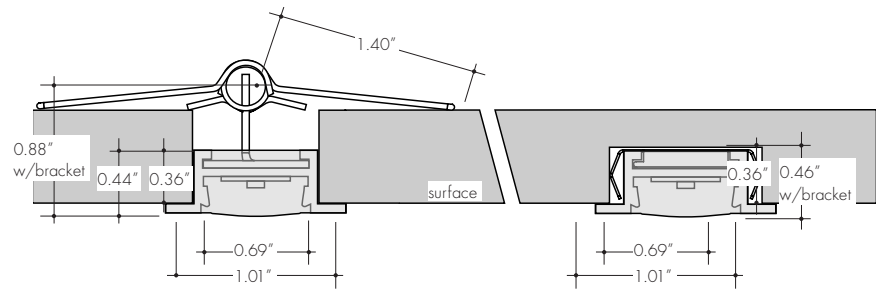
Bronze powder coated



White powder coated



Profile dimensions



Kendo RS HE using the gypsum surface mounting bracket option, for surfaces such as drywall, plaster, etc.

Kendo RS HE using the hard surface mounting bracket option, for surfaces such as wood, stone, tile, etc.

Technical information

OUTPUT OPTIONS

Output	Lumens at 3000K (with clear lens)	Average power consumption at 4'	Lumens / Watt (with clear lens)	Maximum system length In series
LO (LL48HE-LO)	218 lm/ft	2.0 W/ft	109 lm/W	55'
SO (LL48HE-SO)	311 lm/ft	2.8 W/ft	111 lm/W	38'
MO (LL48HE-MO)	416 lm/ft	3.7 W/ft	112 lm/W	27'
HO (LL48HE-HO)	668 lm/ft	5.9 W/ft	113 lm/W	17'

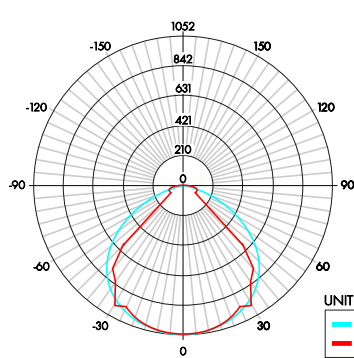
Color temperature	Multiplier (referenced from 3000K)	CRI	R _f	R _g
2700K	0.94	92	90	99
3000K	1.00	92	89	99
3500K	1.02	92	89	99
4000K	1.02	92	86	94

Ordering code

MODEL	LENGTH	CCT	OUTPUT	LENS	MOUNTING	FINISH	POWER FEED POSITION / TYPE	
KRS - Kendo RS	HE - High Efficacy	12 - 144" 4" increments	27K - 2700 K 30K - 3000 K 35K - 3500 K 40K - 4000 K	LO - Low SO - Standard MO - Medium HO - High	C - Clear HF - Half-Frosted F - Frosted M - Medium	HS - Hard surface mounting bracket GS - Gypsum surface mounting bracket NB - No bracket	SA - Silver BK - Black BZ - Bronze WH - White (BK, BZ, WH finishes will have an upcharge and require longer lead times)	B - Back 1 - 72" wire leads 1X2 - 72" wire leads at both ends 2 - 72" wire leads at one end and quick connect at other 3 - Single quick connect 4 - Dual quick connect

Photometry

KRS-HE-30K-HO-C-XX



Zonal Lumen Summary 3000K

Zone	Lumen	% Fixture
0-30	828	31%
0-40	1391	52%
0-60	2310	87%
0-90	2635	99%
0-180	2670	100%

Total

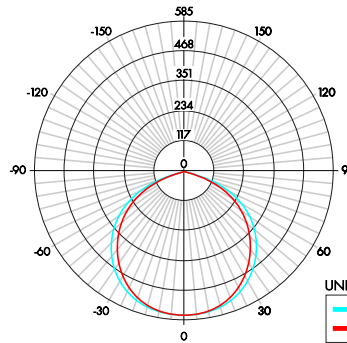
Beam Angle

93°

UNIT: CD

C0/180
C90/270

KRS-HE-30K-HO-F-XX



Zonal Lumen Summary 3000K

Zone	Lumen	% Fixture
0-30	446	26%
0-40	738	43%
0-60	1324	78%
0-90	1686	99%
0-180	1706	100%

Total

Beam Angle

110°

UNIT: CD

C0/180
C90/270

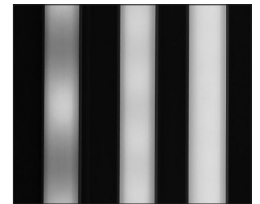
Light Transmission

Lens/Accessory	Percentage Light Transmission
clear lens	100%
medium lens	96%
half-frosted lens	77%
frosted lens	66%

LED Dotting per extrusion

output	Lens			
	Clear	Half - Frosted	Medium	Frosted
LO (LL48HE)	CD	CD	CD	SD
SO (LL48HE)	CD	CD	CD	SD
MO (LL48HE)	CD	CD	CD	SD
HO (LL48HE)	CD	CD	CD	SD

CD = Clear Dotting
SD = Slight Dotting
ND = No Dotting



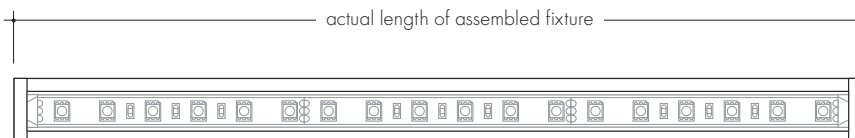
Clear Dotting Slight Dotting NO Dotting

Power consumption per fixture length

Based on operation with PSD series of power supplies.

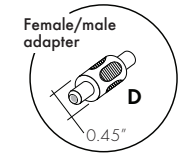
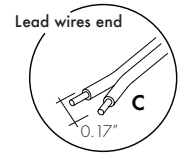
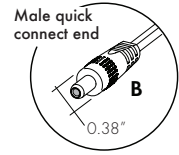
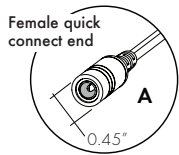
Length		LO		SO		MO		HO	
Nominal	Actual	W/ft	Total wattage	W/ft	Total wattage	W/ft	Total wattage	W/ft	Total wattage
12"	13-1/16"	2.00	2.00	2.79	2.79	3.70	3.70	5.90	5.90
16"	17 "	2.00	2.67	2.79	3.72	3.70	4.90	5.90	7.88
20"	20-15/16"	2.00	3.33	2.79	4.65	3.70	6.10	5.90	9.86
24"	24-14/16"	2.00	4.00	2.79	5.58	3.70	7.40	5.90	11.84
28"	28-13/16"	2.00	4.67	2.79	6.51	3.70	8.63	5.91	13.81
32"	32-12/16"	2.00	5.34	2.79	7.44	3.70	9.83	5.91	15.78
36"	36-11/16"	2.00	6.00	2.79	8.37	3.70	11.10	5.91	17.75
40"	40-10/16"	2.00	6.66	2.79	9.30	3.70	12.33	5.92	19.74
44"	44-9/16"	2.00	13.33	2.79	10.23	3.70	13.56	5.92	21.73
48"	48-8/16"	2.00	8.00	2.79	11.16	3.70	14.80	5.92	23.72
52"	52-7/16"	2.00	8.67	2.79	12.09	3.70	16.03	5.92	25.70
56"	56-6/16"	2.00	9.34	2.79	13.02	3.70	17.26	5.92	27.68
60"	60-5/16"	2.00	10.00	2.79	13.95	3.70	18.50	5.92	29.66
64"	66-3/16"	2.00	10.67	2.79	15.82	3.70	19.73	5.93	31.64
68"	70-2/16"	2.00	11.34	2.79	17.69	3.70	20.96	5.93	33.62
72"	74-1/16"	2.00	12.00	2.79	19.56	3.70	22.20	5.93	35.60
76"	78 "	2.00	12.67	2.79	20.48	3.70	23.43	5.91	37.53
80"	82 "	2.00	13.37	2.79	21.40	3.70	24.66	5.91	39.46
84"	85-14/16"	2.00	14.00	2.79	22.32	3.70	25.90	5.91	41.40
88"	89-13/16"	2.00	14.67	2.79	23.25	3.70	27.13	5.92	43.40
92"	93-12/16"	2.00	15.37	2.79	24.18	3.70	28.36	5.92	45.40
96"	97-11/16"	2.00	16.00	2.79	25.10	3.70	29.60	5.92	47.45
100"	101-11/16"	2.00	16.67	2.79	26.03	3.70	30.93	5.94	49.45
104"	105-9/16"	2.00	17.37	2.79	26.96	3.70	32.26	5.94	54.45
108"	109-8/16"	2.00	18.00	2.79	27.90	3.73	33.60	5.94	53.50
112"	113-7/16"	2.00	18.67	2.79	28.85	3.73	34.93	5.99	55.30
116"	117-6/16"	2.00	19.37	2.79	29.80	3.73	36.26	5.99	57.10
120"	121-6/16"	2.00	20.00	2.79	30.75	3.76	37.60	5.99	58.90
124"	125-4/16"	2.00	20.67	2.79	31.70	3.76	38.80	5.85	60.70
128"	129-3/16"	2.00	21.34	2.79	32.65	3.76	40.00	5.85	62.50
132"	133-2/16"	2.00	22.00	2.79	33.60	3.74	41.20	5.85	64.30
136"	137-2/16"	2.00	22.67	2.79	34.55	3.74	42.40	5.82	66.10
140"	141-1/16"	2.00	23.34	2.79	35.50	3.74	43.60	5.82	67.90
144"	144-15/16"	2.00	24.00	2.80	36.45	3.73	44.80	5.82	69.68

to calculate cutout for recess opening subtract 0.25" from actual fixture length

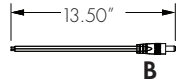


Connectors & Accessories

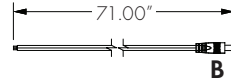
Linking and extension cable options



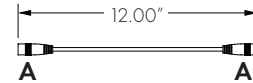
Male quick-connect
Part # LMC



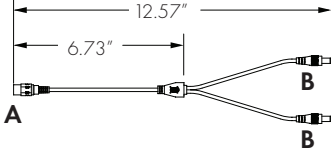
Male quick-connect long
Part # LMC-70



12" extension cable
Part # EC-12



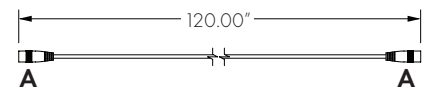
Y-splitter
Part # LYC



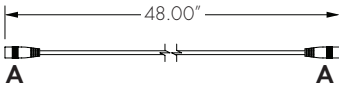
Female/male adaptor
Part # FMA



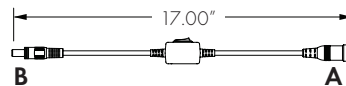
120" extension cable
Part # EC-120



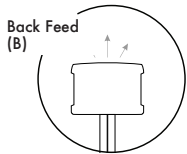
48" extension cable
Part # EC-48



Inline DC switch
Part # IS-DC



Powerfeed Position / Type



72" wire leads
(1)



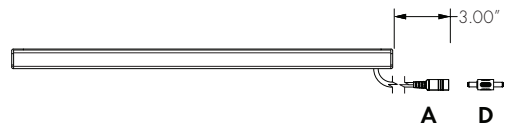
72" wire leads at both end
(1X2)



72" wire leads at one end and quick connect at other
(2)



Single quick connect
(3)



Dual quick connect
(4)



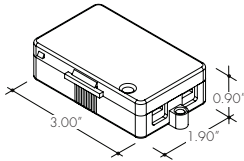
3, and 4 powerfeed options require #LMC to connect to PSD series of power supplies.

Accessory options

Splice Box

LVSP-4T-BK

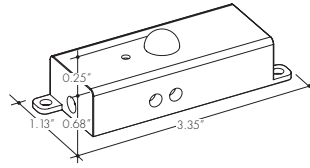
Low voltage, 4 terminal splice box, black



PIR Infrared Occupancy Sensor

OS-DC-F4-BK

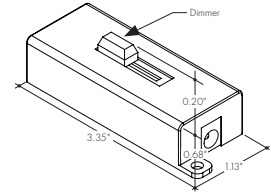
OS-DC-F4-BK - Occupancy Sensor



24VDC Low Voltage In-Line Dimmer Module

DIM-DC-F4-BK

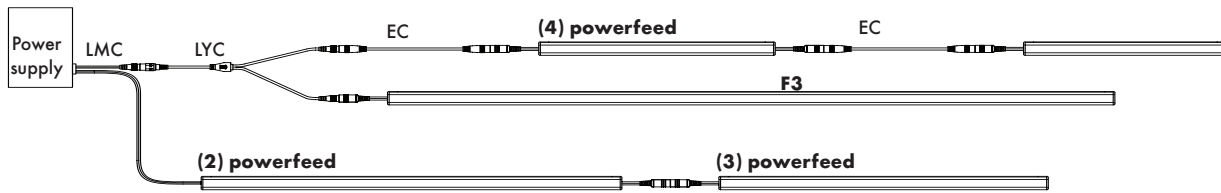
DIM-DC-F4-BK - 24VDC Low Voltage In-Line Dimmer Module



Note: a Male quick connector for input and output is required.

Note: a Male quick connector for input and output is required.

Sample layout



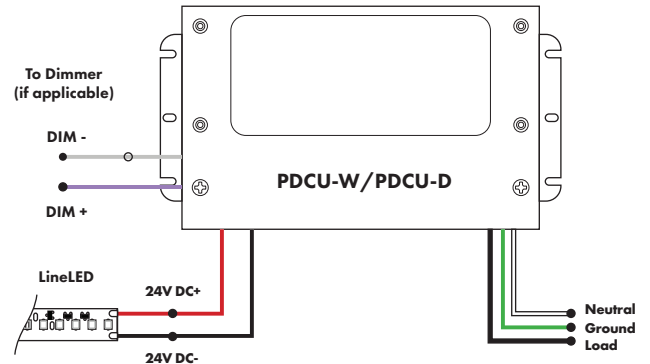
Power Supply

See fixture and power supply instructions & spec sheet for wiring information. Dimming possible in select models - view Luminii website for list of compatible dimmers.

Universal Power Supply

MODEL	POWER	OUTPUT
PDCU-W	96	24
PDCU-W - IP66 Wet Series	96 - 96 W 3X96 - 3X96 W	24 - 24 VDC
PDCU-D - IP20 Dry Series	30 - 30 W 60 - 60 W 96 - 96 W 3X96 - 3X96 W	

0-10V - 1% dimming
MLV/ELV/TRIAC - 1% dimming, consult dimming compatibility chart
Compatibility:
View a complete list of compatible dimmers on product page ([Link](#))

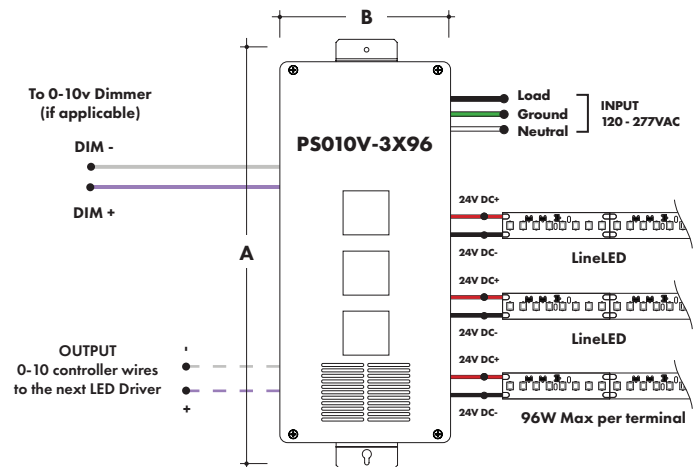
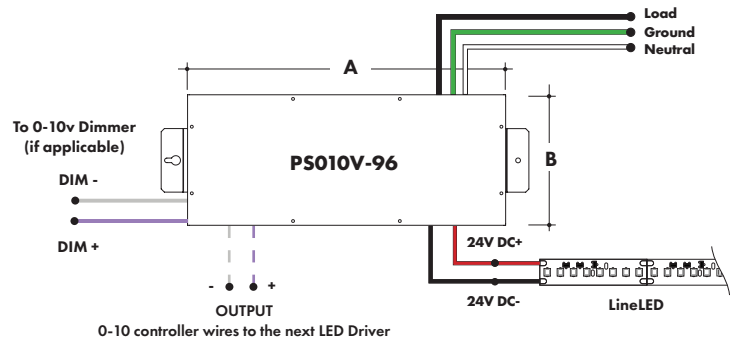


MODELS	PDCU-W 96W	PDCU-W 3X96W	PDCU-D 30W	PDCU-D 60W	PDCU-D 96W	PDCU-D 3X96W
A Length	8.66"	11.85"	6.10"	7.93"	8.25"	9.57"
B Width	3.73"	4.32"	3.35"	3.35"	4.10"	5.94"
Depth	1.61"	1.81"	1.33"	1.32"	1.56"	1.13"

0-10V Dimming Power Supplies

MODEL	POWER	OUTPUT	DIMMING
PS010V	96	24	LIN
PS010V - 0-10V Power Supply dims down to 0%	96 - 96 Watt 3X96 - 3 X 96 Watt	24 - 24 VDC	LIN - Linear LOG - Logarithmic

MODELS	96W	3X96
A Length	14.40"	15.75"
B Width	5.20"	6.62"
Depth	2.60"	4.95"



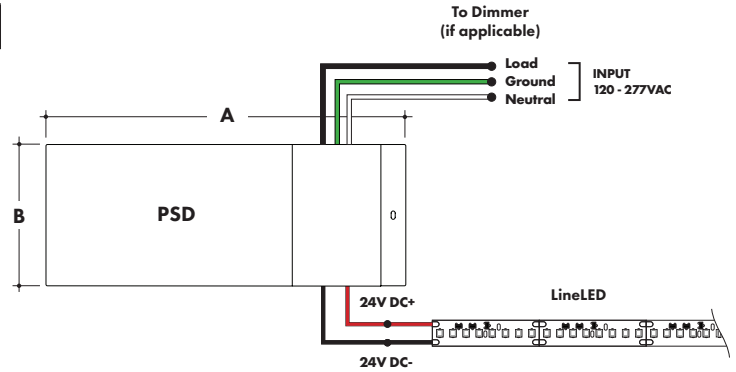
Power Supply

See fixture and power supply instructions & spec sheet for wiring information. Dimming possible in select models - view Luminii website for list of compatible dimmers.

Magnetic Low Voltage Dimming Power Supplies

MODEL	POWER	OUTPUT	INPUT
PSD	48	24	
PSD - PSD Series dims down to 0%	48 - 48 Watt 96 - 96 Watt 288 - 288 Watt (3 x 96Watt)	24 - 24 VDC	Blank - 120 V 240 - 240 V 277 - 277 V

MODELS	48W	96W	288W
A Length	11.25"	11.25"	13.06"
B Width	3.42"	3.42"	8.42"
Depth	3.42"	3.27"	4.47"

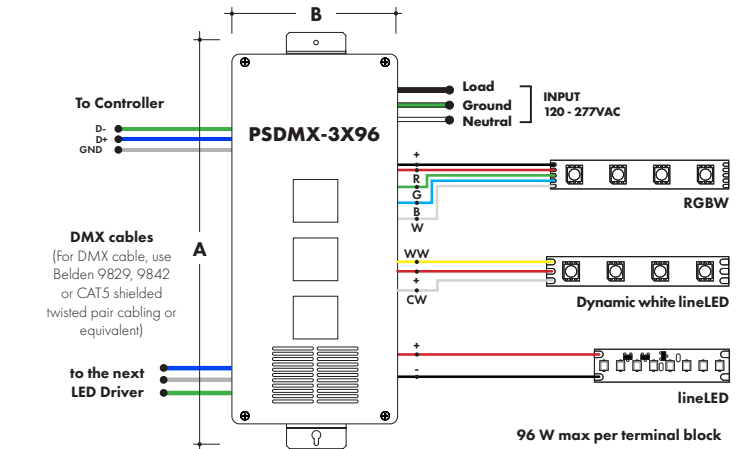
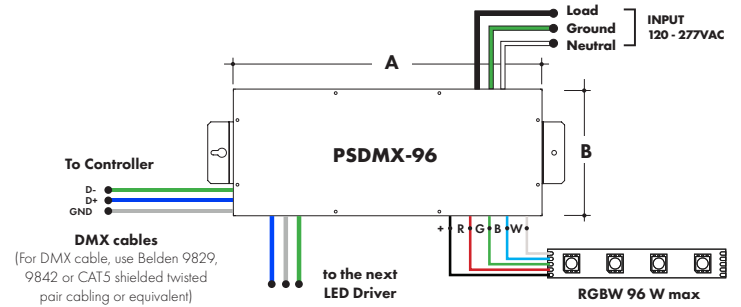


DMX Dimming Power Supplies

MODEL	POWER	OUTPUT
PSDMX	96	24
PSDMX - DMX Power Supply	96 - 96 Watt 3X96 - 3 X 96 Watt	24 - 24 VDC

Features eldoLED's LINEARdrive configurable dimmable drivers

MODELS	96W	3X96
A Length	14.40"	15.75"
B Width	5.20"	6.62"
Depth	2.60"	4.95"



Power Supply

See fixture and power supply instructions & spec sheet for wiring information. Dimming possible in select models - view Luminii website for list of compatible dimmers.

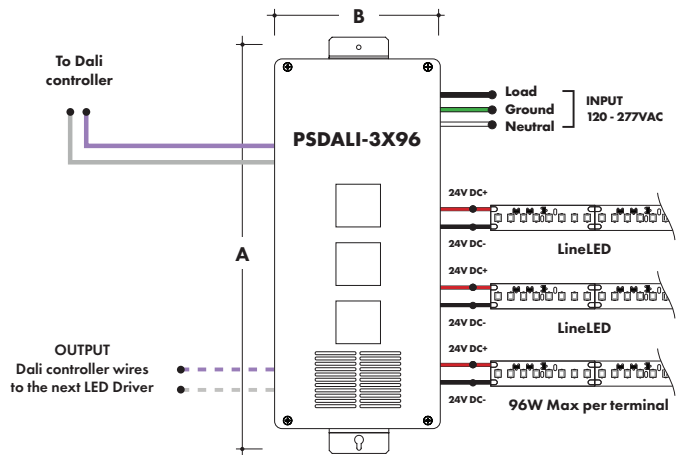
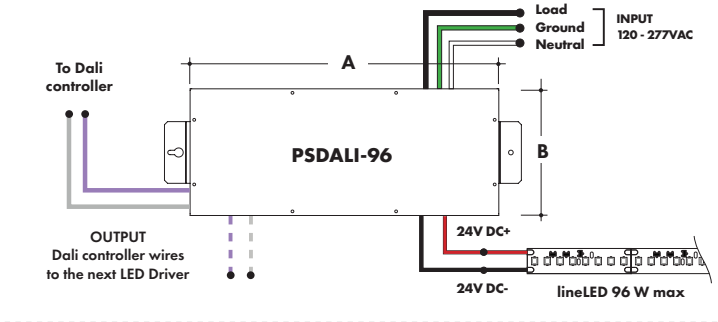
DALI Dimming Power Supplies

MODEL	POWER	OUTPUT
PSDALI	96	24

PSDALI - DALI Power Supply
dims down to 0%
96 - 96 Watt
3X96 - 3 X 96 Watt
24 - 24 VDC

Features eldoLED's LINEARdrive configurable dimmable drivers

MODELS	96W	3X96
A Length	14.40"	15.75"
B Width	5.20"	6.62"
Depth	2.60"	4.95"

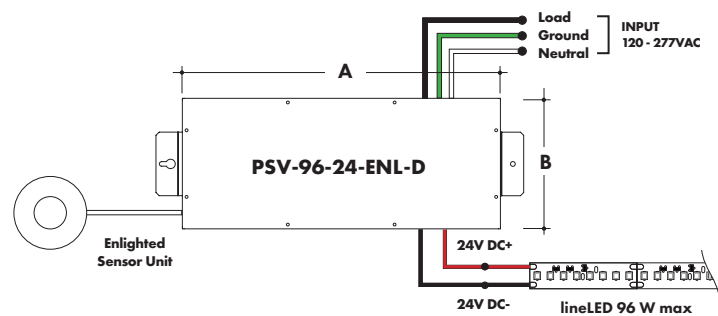


Enlighted Enabled Dimming Power Supplies:

MODEL	POWER	OUTPUT	DIMMING	LOCATION
PSV	96	24	ENL	D

PSV - PSV Series 96 - 96 Watt 24 - 24 VDC ENL - Enlighted Dimming D - Damp

MODELS	96W
A Length	14.40"
B Width	5.20"
Depth	2.60"

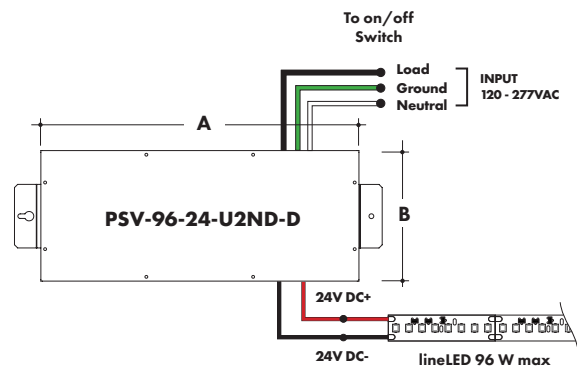


Non-Dimming Power Supply

MODEL	POWER	OUTPUT	DIMMING	LOCATION
PSV	96	24	U2ND	D

PSV - PSV Series 96 - 96 Watt 24 - 24 VDC U2ND - Non Dimming D - Damp

MODELS	96W
A Length	14.40"
B Width	5.20"
Depth	2.60"



Power Supply

See fixture and power supply instructions & spec sheet for wiring information. Dimming possible in select models - view Luminii website for list of compatible dimmers.



Luminii is a Lutron OEM Advantage Partner

MODEL

LTEA4U1UKL-CV240

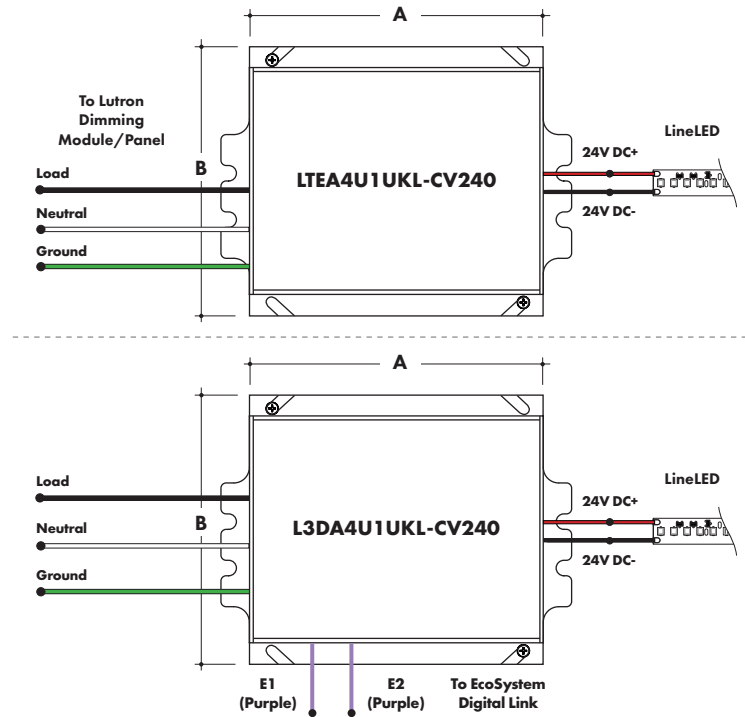
Lutron - HiLume™ 1% 2-wire LED Driver
(120V forward phase only)

MODEL

L3DA4U1UKL-CV240

HiLume™ 1% EcoSystem Voltage LED driver

MODELS	LTEA4U1UKL-CV240	L3DA4U1UKL-CV240
A Length	4.89"	4.98"
B Width	4.00"	4.00"
Depth	2.62"	2.62"



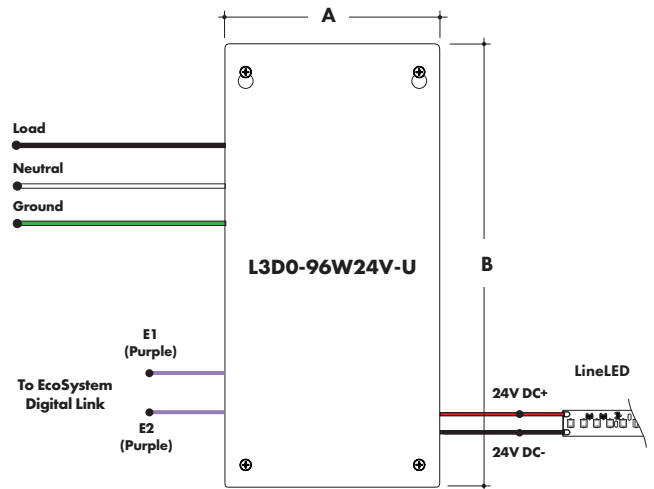
Luminii is a Lutron OEM Advantage Partner

MODEL

L3D0-96W24V-U

HiLume™ 0.1% EcoSystem Voltage LED Driver with Soft-On, Fade-to-Black™

MODELS	L3D0
A Length	10.50"
B Width	5.50"
Depth	2.00"



Power Supply

See fixture and power supply instructions & spec sheet for wiring information. Dimming possible in select models - view Luminii website for list of compatible dimmers.

In ground, Electronic Low Voltage Dimming Power Supplies

MODEL	POWER	OUTPUT	INPUT
IG - CVE	96X2	24	Blank - 120 V 277 - 240/277 V
IG - In ground CVE Series	96X2 - 2 X 96 Watt	24 - 24 VDC	
CVE - ELV Dimming DALI - eldoLED Dali dimming			
Both dims down to 0.1%			

MODELS	Dual Circuit
A Length	8.40"
B Width	8.30"
Depth	8.10"

