

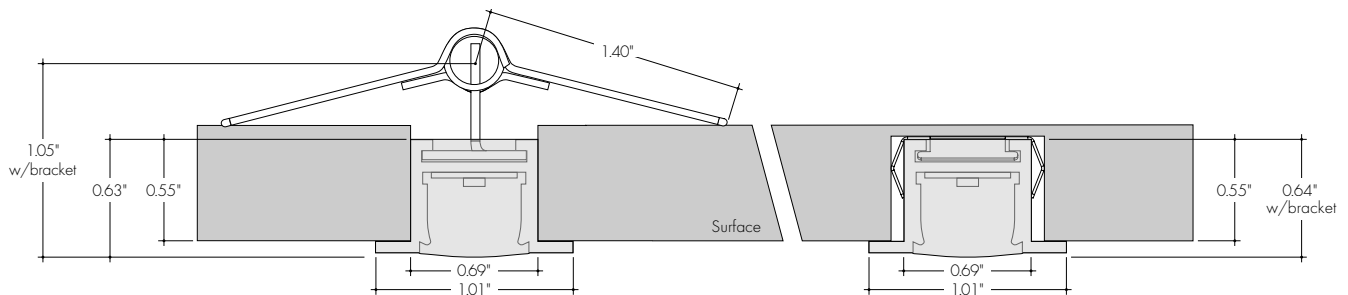


Features

- 24VDC Class 2 fixtures made to order up to 144". Fixtures can be linked up to 35' depending on output
- Suitable for undercabinet, millwork ground recessed, and ceiling recessed applications
- Approved for closet/storage space installation per NEC 410.16(A)(3) and 410.16(C)(5)
- Dot free even illumination achievable in SOHD & VHO with frosted lens
- Vibrant colors with R9 values up to 98
- Single micro binned LEDs +/- 30 CCT
- Dims with minimal color shift
- Class 2 listed for damp locations
- Proprietary strong bond solder method handles up to 50lbs of torque on wire leads and connectors
- 5 Year warranty
- Finish Options
 - Silver anodized
 - Black powder coated
 - Bronze powder coated
 - White powder coated



Profile dimensions



Technical information

OUTPUT OPTIONS	SO (LL36)	HO (LL54)	VHO (LL72)
Lumens at 3000K (with clear lens)	199 lm/ft	295 lm/ft	408 lm/ft
Average power consumption at 4'	3.2 W/ft	5.2 W/ft	6.5 W/ft
Lumens / Watt (with clear lens)	64 lm/W	62 lm/W	65 lm/W
Maximum system length (in series)	35'	26'	18'

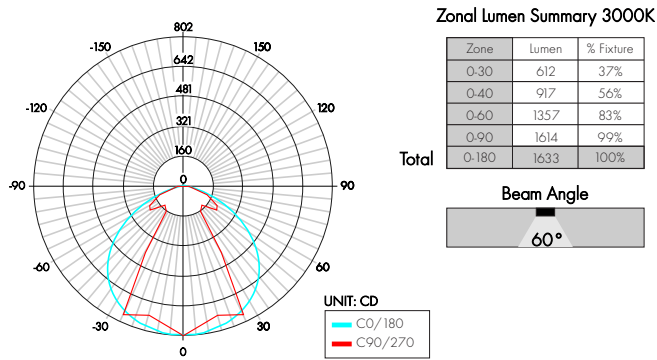
CCT INFO / LUMEN MULTIPLIER		TM-30-15		
Color Temperature	Multiplier (reference - 3000K)	CRI	R _f	R _g
1900K	0.63	96	94	97
2200K	0.68	96	95	101
2400K	0.72	98	97	101
2700K	0.76	97	96	101
2900K	0.82	98	96	102
3000K	1.00	97	95	104
3500K	1.05	97	94	105
4100K	1.37	97	90	99

Ordering code

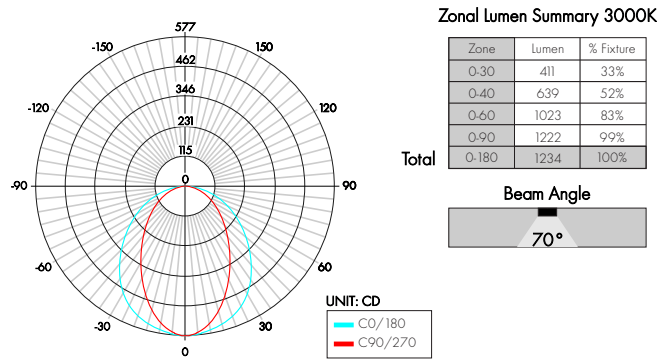
MODEL	LENGTH	CCT	OUTPUT	LENS	MOUNTING	FINISH	POWER FEED POSITION / TYPE	
KRM	12	19K	SO	C	HS	SA	B	1
KRM - Kendo RM	12" - 144" 4" increments	19K - 1900K 22K - 2200K 24K - 2400K 27K - 2700K 29K - 2900K 30K - 3000K 35K - 3500K 41K - 4100K	SO - Standard HO - High VHO - Very High	C - Clear HF - Half-Frosted F - Frosted FF - Flat Frosted G - Graze	HS - Hard surface mounting bracket GS - Gypsum surface mounting bracket NB - No bracket	SA - Silver BK - Black BZ - Bronze WH - White (BK, BZ, WH finishes will have an upcharge and require longer lead times)	B - Bottom	1 - 72" wire leads 1X2 - 72" wire leads at both ends 2 - 72" wire leads at one end and quick connect at other 3 - Single quick connect 4 - Dual quick connect

Photometry

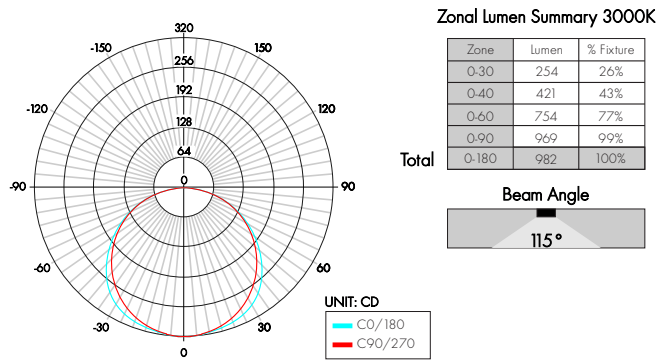
KRM-48-30K-VHO-C-XX



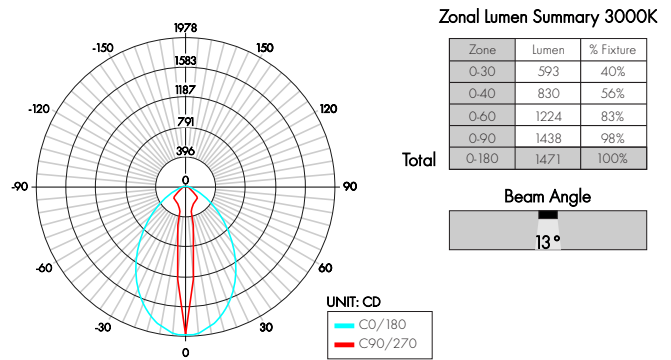
KRM-48-30K-VHO-HF-XX



KRM-48-30K-VHO-F-XX



KRM-48-30K-VHO-G-XX



Light Transmission

Lens/Accessory	Percentage Light Transmission
clear lens	100%
graze lens	90%
half-frosted lens	76%
frosted lens	60%

LED Dotting per extrusion

Output	Lens					
	Clear	Half-Frosted	Flat Frosted	Frosted	Raised	Graze
SO (LL36)	CD	CD	CD	ND	ND	CD
HO (LL54)	CD	CD	ND	ND	ND	CD
VHO (LL72)	CD	CD	ND	ND	ND	CD

CD = Clear Dotting
 SD = Slight Dotting
 ND = No Dotting



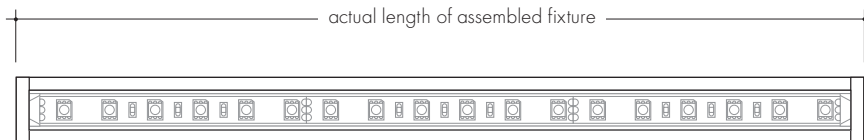
Clear Dotting Slight Dotting No Dotting

Power consumption per fixture length

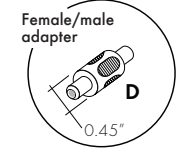
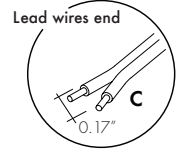
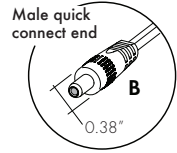
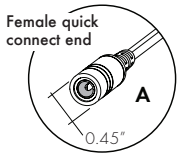
Based on operation with PSD series of power supplies.

Nominal Length	Actual Length	SO		Actual Length	HO		Actual Length	VHO	
		W/ft	Total wattage		W/ft	Total wattage		W/ft	Total wattage
12"	13-2/16"	3.25	3.25	13-1/16"	5.35	5.30	13-1/16"	6.75	6.75
16"	17 "	3.25	4.00	17 "	5.33	7.06	16-15/16"	6.75	9.00
20"	21 "	3.25	5.25	21 "	5.31	8.82	20-15/16"	6.75	11.25
24"	24-14/16"	3.25	6.50	24-15/16"	5.30	10.60	24-14/16"	6.75	13.50
28"	28-13/16"	3.25	7.75	28-13/16"	5.28	12.33	28-13/16"	6.75	16.75
32"	32-13/16"	3.25	8.50	32-13/16"	5.26	14.06	32-12/16"	6.75	19.00
36"	36-11/16"	3.25	9.75	36-12/16"	5.25	15.80	36-11/16"	6.65	19.95
40"	40-10/16"	3.25	10.25	40-11/16"	5.23	17.40	41-10/16"	6.65	22.20
44"	44-10/16"	3.20	11.75	44-10/16"	5.21	19.00	45-9/16"	6.65	24.40
48"	48-9/16"	3.20	12.80	48-9/16"	5.20	20.60	49-8/16"	6.55	26.20
52"	52-8/16"	3.20	13.30	53-13/16"	5.18	22.40	53-7/16"	6.55	28.50
56"	56-7/16"	3.20	14.80	57-12/16"	5.16	24.20	57-6/16"	6.55	30.50
60"	60-6/16"	3.20	16.00	61-11/16"	5.15	26.00	61-5/16"	6.45	32.25
64"	64-5/16"	3.20	17.00	65-10/16"	5.13	27.60	65-4/16"	6.45	34.40
68"	70-3/16"	3.15	18.00	69-9/16"	5.11	29.20	69-3/16"	6.45	36.55
72"	74-2/16"	3.15	18.90	73-8/16"	5.10	30.80	73-2/16"	6.40	38.40
76"	78-1/16"	3.15	19.00	77-7/16"	5.08	32.40	77-1/16"	6.40	40.50
80"	82-1/16"	3.15	21.50	81-7/16"	5.06	34.00	81 "	6.40	43.00
84"	85-15/16"	3.15	22.05	85-6/16"	5.05	35.70	84-15/16"	6.25	43.75
88"	89-14/16"	3.15	23.00	89-4/16"	5.03	37.10	88-14/16"	6.25	46.00
92"	93-13/16"	3.10	24.00	93-3/16"	5.01	38.50	92-13/16"	6.25	48.00
96"	97-12/16"	3.10	24.80	97-3/16"	5.00	40.00	97-12/16"	6.15	49.20
100"	101-12/16"	3.10	26.30	101-2/16"	4.98	41.60	101-11/16"	6.15	51.25
104"	105-10/16"	3.05	27.10	105-1/16"	4.96	43.20	105-9/16"	6.15	53.00
108"	109-10/16"	3.05	28.00	109 "	4.95	44.80	109-9/16"	6.00	54.00
112"	113-9/16"	3.05	28.50	112-15/16"	4.93	46.20	113-8/16"	6.00	56.00
116"	117-7/16"	3.05	30.00	116-14/16"	4.91	47.60	117-7/16"	6.00	58.00
120"	121-7/16"	3.00	30.50	120-14/16"	4.90	48.90	121-6/16"	5.90	59.00
124"	125-6/16"	3.00	31.50	124-13/16"	4.88	50.40	125-5/16"	5.90	60.60
128"	129-4/16"	3.00	32.50	128-12/16"	4.86	51.90	129-4/16"	5.90	62.20
132"	133-4/16"	2.95	33.50	132-11/16"	4.85	53.30	133-3/16"	5.80	63.80
136"	137-3/16"	2.95	34.30	136-10/16"	4.83	54.70	137-2/16"	5.80	65.30
140"	141-2/16"	2.95	35.20	140-9/16"	4.81	56.10	141-1/16"	5.80	66.80
144"	145-1/16"	2.90	36.00	145-13/16"	4.80	57.40	145 "	5.70	68.40

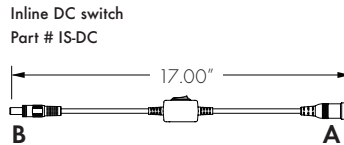
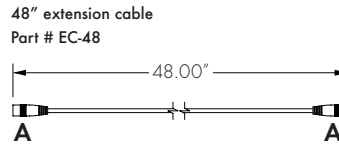
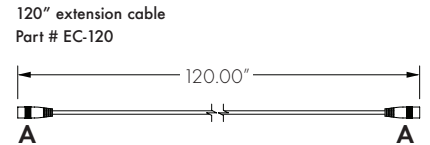
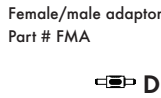
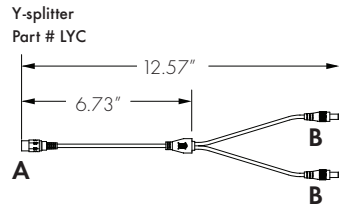
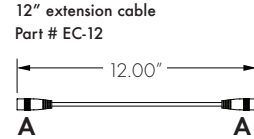
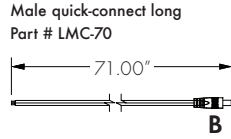
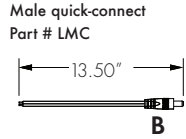
to calculate cutout for recess opening subtract 0.25" from actual fixture length



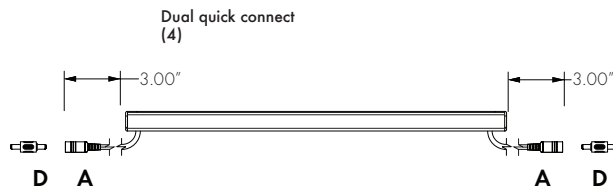
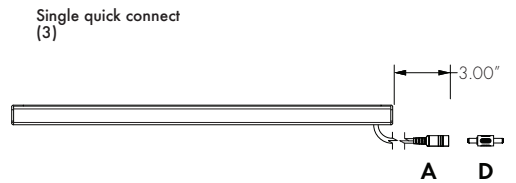
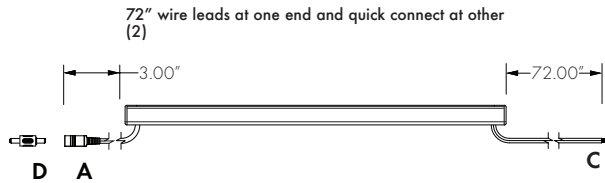
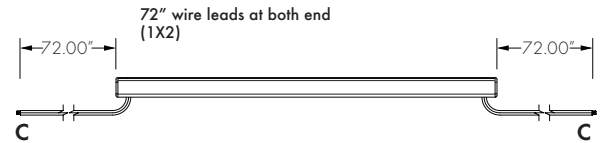
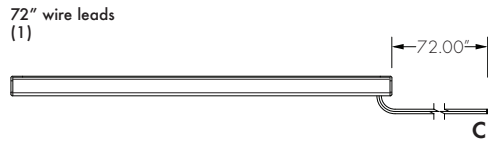
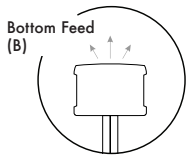
Connectors & Accessories



Linking and extension cable options



Powerfeed Position / Type



3, and 4 powerfeed options require #LMC to connect to PSD series of power supplies.

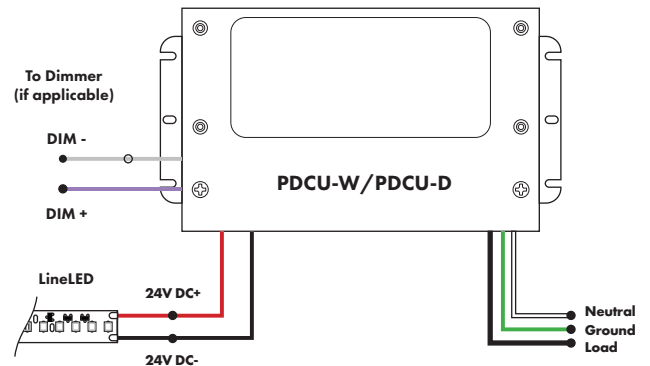
Power Supply

See fixture and power supply instructions & spec sheet for wiring information. Dimming possible in select models - view Luminii website for list of compatible dimmers.

Universal Power Supply

MODEL	POWER	OUTPUT
PDCU-W	96	24
PDCU-W - IP66 Wet Series	96 - 96 W 3X96 - 3X96 W	24 - 24 VDC
PDCU-D - IP20 Dry Series	30 - 30 W 60 - 60 W 96 - 96 W 3X96 - 3X96 W	

0-10V - 1% dimming
MLV/ELV/TRIAC - 1% dimming, consult dimming compatibility chart
Compatibility:
View a complete list of compatible dimmers on product page ([Link](#))

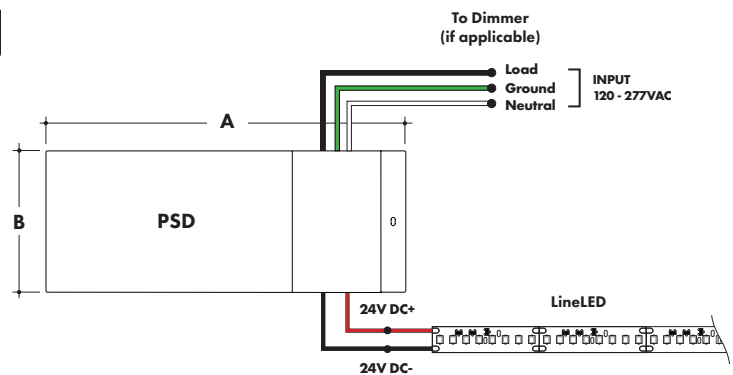


MODELS	PDCU-W 96W	PDCU-W 3X96W	PDCU-D 30W	PDCU-D 60W	PDCU-D 96W	PDCU-D 3X96W
A Length	8.66"	11.85"	6.10"	7.93"	8.25"	9.57"
B Width	3.73"	4.32"	3.35"	3.35"	4.10"	5.94"
Depth	1.61"	1.81"	1.33"	1.32"	1.56"	1.13"

Magnetic Low Voltage Dimming Power Supplies

MODEL	POWER	OUTPUT	INPUT
PSD	48	24	
PSD - PSD Series dims down to 0%	48 - 48 Watt 96 - 96 Watt 288 - 288 Watt (3 x 96Watt)	24 - 24 VDC	Blank - 120 V 240 - 240 V 277 - 277 V

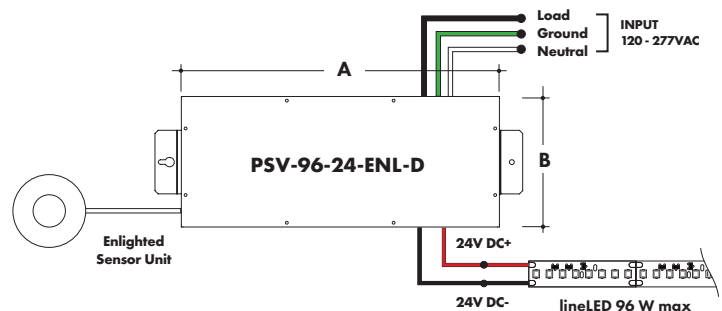
MODELS	48W	96W	288W
A Length	11.25"	11.25"	13.06"
B Width	3.42"	3.42"	8.42"
Depth	3.42"	3.27"	4.47"



Enlighted Enabled Dimming Power Supplies:

MODEL	POWER	OUTPUT	DIMMING	LOCATION
PSV	96	24	ENL	D
PSV - PSV Series	96 - 96 Watt	24 - 24 VDC	ENL - Enlighted Dimming	D - Damp

MODELS	96W
A Length	14.40"
B Width	5.20"
Depth	2.60"



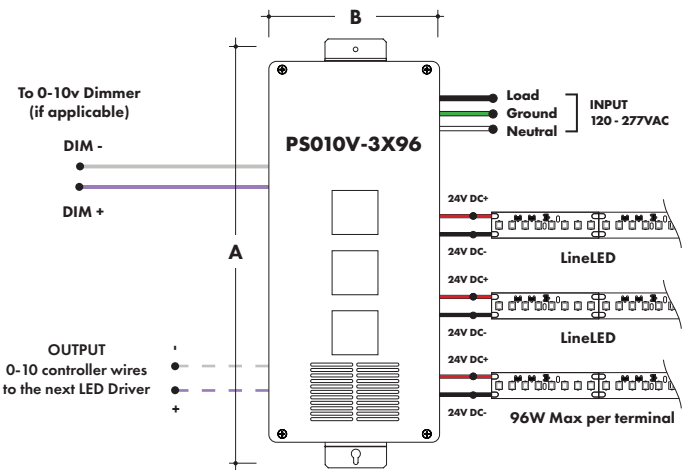
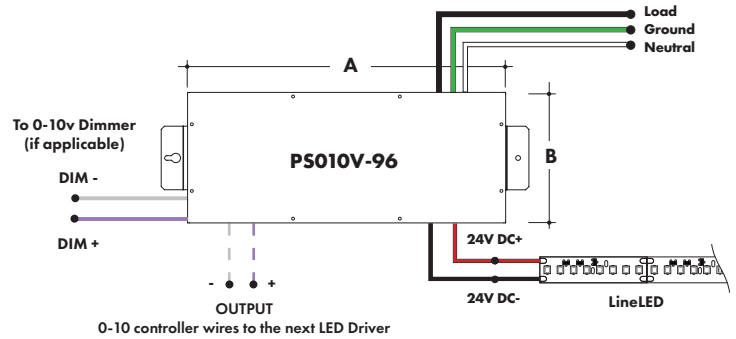
Power Supply

See fixture and power supply instructions & spec sheet for wiring information. Dimming possible in select models - view Luminii website for list of compatible dimmers.

0-10V Dimming Power Supplies

MODEL	POWER	OUTPUT	DIMMING
PS010V	96	24	LIN
PS010V - 0-10V Power Supply dims down to 0%	96 - 96 Watt 3X96 - 3 X 96 Watt	24 - 24 VDC	LIN - Linear LOG - Logarithmic

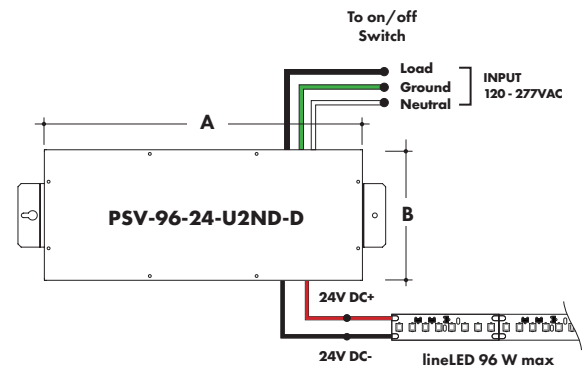
MODELS	96W	3X96
A Length	14.40"	15.75"
B Width	5.20"	6.62"
Depth	2.60"	4.95"



Non-Dimming Power Supply

MODEL	POWER	OUTPUT	DIMMING	LOCATION
PSV	96	24	U2ND	D
PSV - PSV Series	96 - 96 Watt	24 - 24 VDC	U2ND - Non Dimming	D - Damp

MODELS	96W
A Length	14.40"
B Width	5.20"
Depth	2.60"



Power Supply

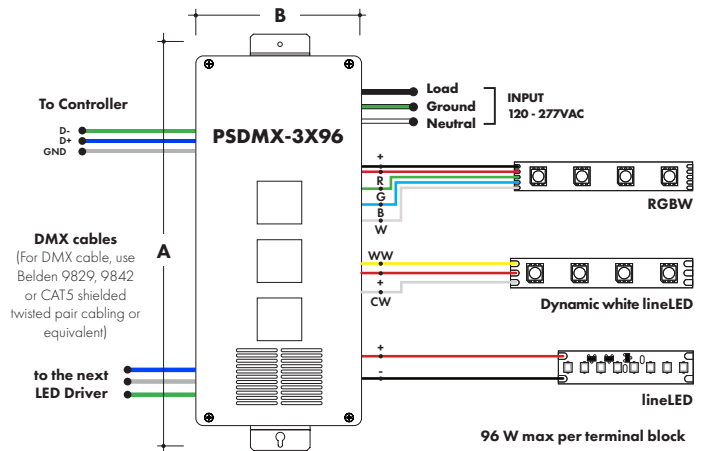
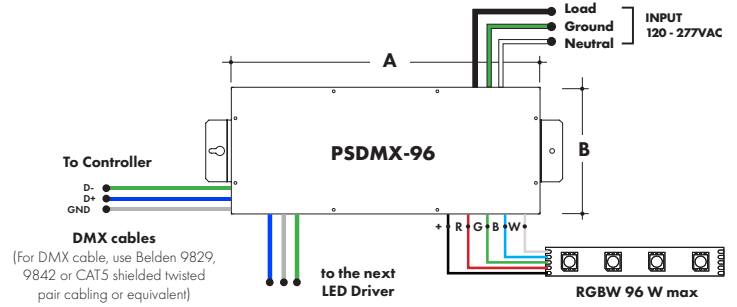
See fixture and power supply instructions & spec sheet for wiring information. Dimming possible in select models - view luminii website for list of compatible dimmers.

DMX Dimming Power Supplies

MODEL	POWER	OUTPUT
PSDMX	96	24
PSDMX - DMX Power Supply	96 - 96 Watt 3X96 - 3 X 96 Watt	24 - 24 VDC

Features eldoLED's LINEARdrive configurable dimmable drivers

MODELS	96W	3X96
A Length	14.40"	15.75"
B Width	5.20"	6.62"
Depth	2.60"	4.95"

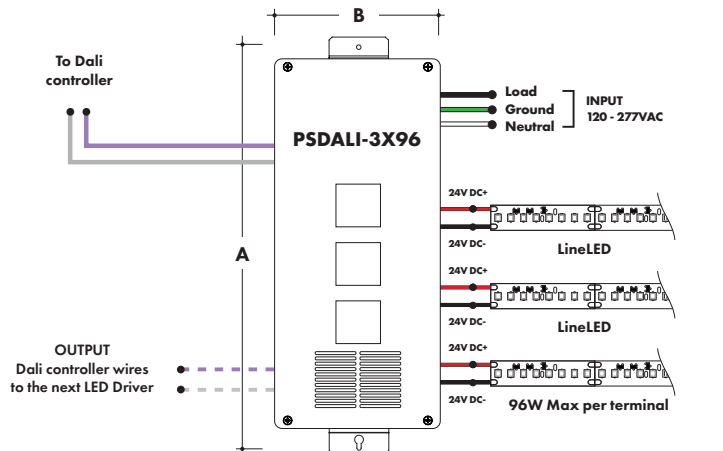
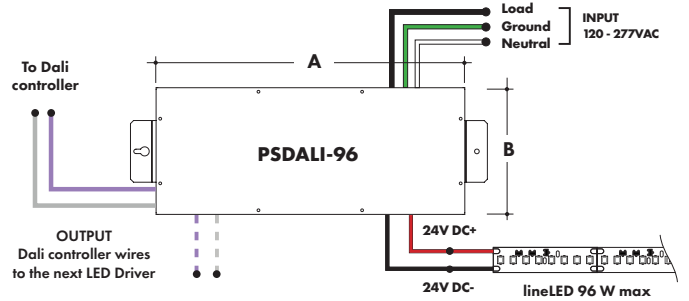


DALI Dimming Power Supplies

MODEL	POWER	OUTPUT
PSDALI	96	24
PSDALI - DALI Power Supply	96 - 96 Watt 3X96 - 3 X 96 Watt dims down to 0%	24 - 24 VDC

Features eldoLED's LINEARdrive configurable dimmable drivers

MODELS	96W	3X96
A Length	14.40"	15.75"
B Width	5.20"	6.62"
Depth	2.60"	4.95"



Power Supply

See fixture and power supply instructions & spec sheet for wiring information. Dimming possible in select models - view Luminii website for list of compatible dimmers.



Luminii is a Lutron OEM Advantage Partner

MODEL

LTEA4U1UKL-CV240

Lutron - HiLume™ 1% 2-wire LED Driver

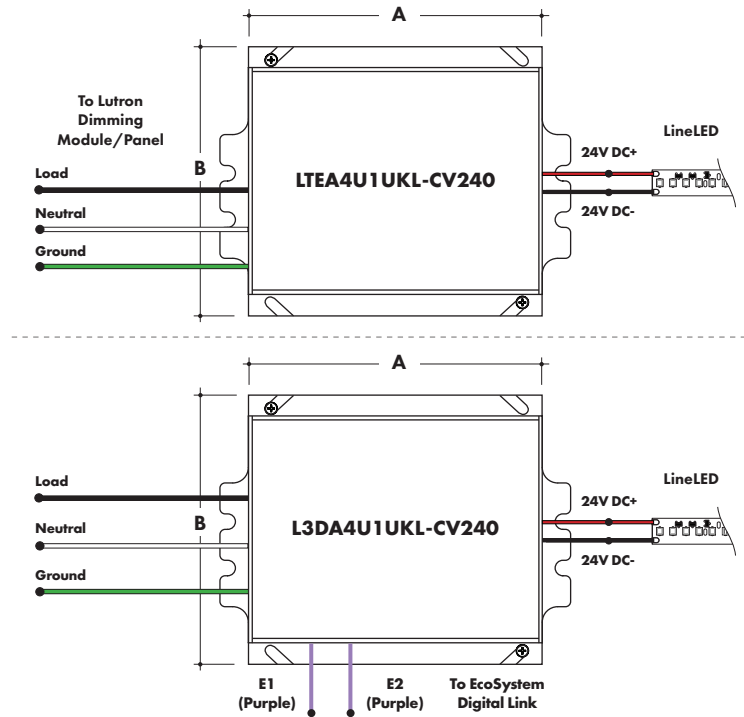
(120V forward phase only)

MODEL

L3DA4U1UKL-CV240

HiLume™ 1% EcoSystem Voltage LED driver

MODELS	LTEA4U1UKL-CV240	L3DA4U1UKL-CV240
A Length	4.89"	4.98"
B Width	4.00"	4.00"
Depth	2.62"	2.62"



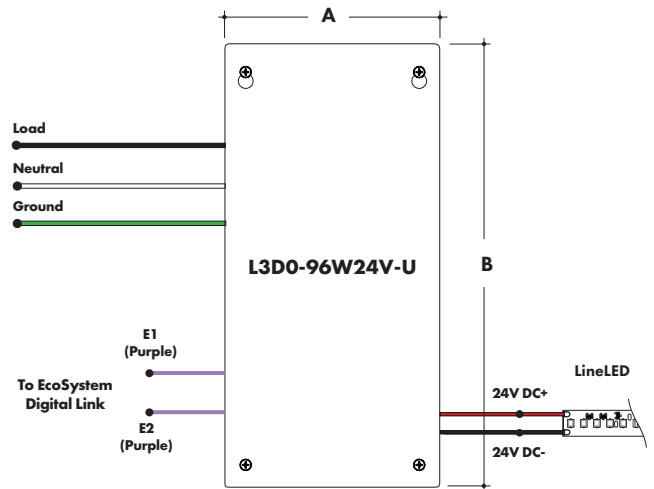
Luminii is a Lutron OEM Advantage Partner

MODEL

L3D0-96W24V-U

HiLume™ 0.1% EcoSystem Voltage LED Driver with Soft-On, Fade-to-Black™

MODELS	L3D0
A Length	10.50"
B Width	5.50"
Depth	2.00"



Power Supply

See fixture and power supply instructions & spec sheet for wiring information. Dimming possible in select models - view Luminii website for list of compatible dimmers.

In ground, Electronic Low Voltage Dimming Power Supplies

MODEL	POWER	OUTPUT	INPUT
IG - CVE	96X2	24	Blank - 120 V 277 - 240/277 V
IG - In ground CVE Series	96X2 - 2 X 96 Watt	24 - 24 VDC	
CVE - ELV Dimming DALI - eldoLED Dali dimming			
Both dims down to 0.1%			

MODELS	Dual Circuit
A Length	8.40"
B Width	8.30"
Depth	8.10"

