



Features

- Efficacy up to 90lm/w - a 37% increase over the standard KRM model
- 24VDC Class 2 fixtures made to order up to 144". Fixtures can be linked up to 55' depending on output
- Suitable for undercabinet, millwork ground recessed, and ceiling recessed applications
- Dot free even illumination achievable with frosted lens
- Approved for closet/storage space installation per NEC 410.16(A)(3) and 410.16(C)(5)
- Single micro binned LEDs +/- 30 CCT
- Dims with minimal color shift
- Class 2 listed for damp locations
- Proprietary strong bond solder method handles up to 50lbs of torque on wire leads and connectors
- 5 Year warranty



Finish options



Silver anodized

IC RATED



Black powder coated



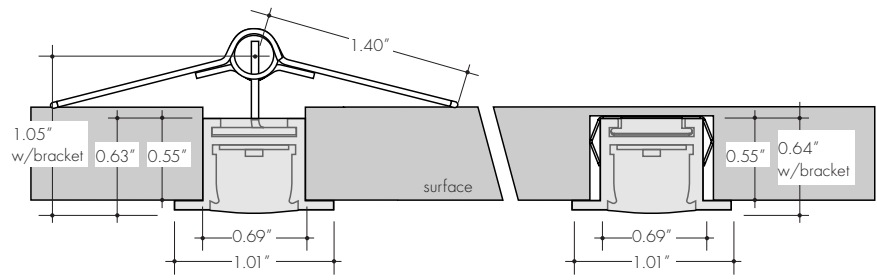
Bronze powder coated



White powder coated



Profile dimensions



Kendo RMW using the gypsum surface mounting bracket option, for surfaces such as drywall, plaster, etc.

Kendo RMW using the hard surface mounting bracket option, for surfaces such as wood, stone, tile, etc.

Technical information

OUTPUT OPTIONS

| Output | Lumens at 3000K (with clear lens) | Average power consumption at 4' | Lumens / Watt (with clear lens) | Maximum system length In series |
|----------------|-----------------------------------|---------------------------------|---------------------------------|---------------------------------|
| LO (LL48HE-LO) | 175 lm/ft | 2.0 W/ft | 88 lm/W | 55' |
| SO (LL48HE-SO) | 245 lm/ft | 2.8 W/ft | 88 lm/W | 38' |
| MO (LL48HE-MO) | 335 lm/ft | 3.7 W/ft | 91 lm/W | 27' |
| HO (LL48HE-HO) | 531 lm/ft | 5.9 W/ft | 90 lm/W | 17' |

CCT INFO/LUMEN MULTIPLIER

| Color temperature | Multiplier (referenced from 3000K) | CRI | R _f | R _g |
|-------------------|------------------------------------|-----|----------------|----------------|
| 2700K | 0.94 | 92 | 90 | 99 |
| 3000K | 1.00 | 92 | 89 | 99 |
| 3500K | 1.02 | 92 | 89 | 99 |
| 4000K | 1.02 | 92 | 86 | 94 |

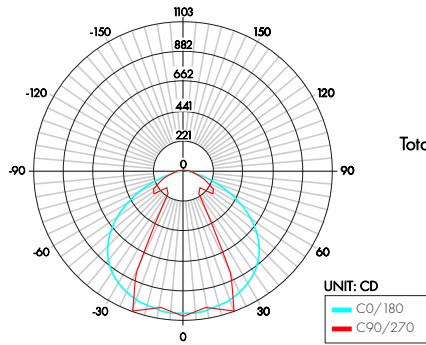
TM-30-15

Ordering code

| MODEL | LENGTH | CCT | OUTPUT | LENS | MOUNTING | FINISH | POWER FEED POSITION / TYPE | |
|----------------|--------------------|-------------------------|--|---|---|---|--|---|
| KRM - Kendo RM | HE - High Efficacy | 12 - 144" 4" increments | 27K - 2700 K 30K - 3000 K 35K - 3500 K 40K - 4000 K | LO - Low SO - Standard MO - Medium HO - High | C - Clear HF - HalfFrosted F - Frosted G - Graze | HS - Hard surface mounting bracket GS - Gypsum surface mounting bracket NB - No bracket | SA - Silver BK - Black BZ - Bronze WH - White (BK,BZ,WH finishes will have an upcharge and require longer lead times) | B - Back 1 - 72" wire leads 1X2 - 72" wire leads at both ends 2 - 72" wire leads at one end and quick connect at other 3 - Single quick connect 4 - Dual quick connect |

Photometry

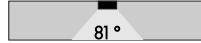
KRM-HE-30K-HO-C-XX



Zonal Lumen Summary 3000K

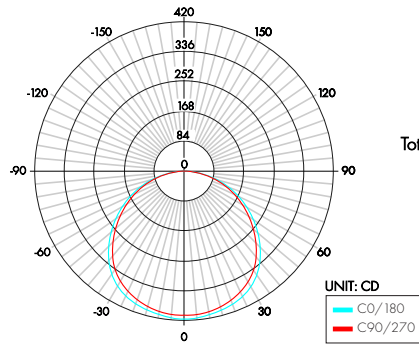
| Zone | Lumen | % Fixture |
|-------|-------|-----------|
| 0-30 | 825 | 39% |
| 0-40 | 1221 | 57% |
| 0-60 | 1775 | 84% |
| 0-90 | 2101 | 99% |
| 0-180 | 2124 | 100% |

Beam Angle



UNIT: CD
 C0/180
 C90/270

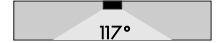
KRM-HE-30K-HO-F-XX



Zonal Lumen Summary 3000K

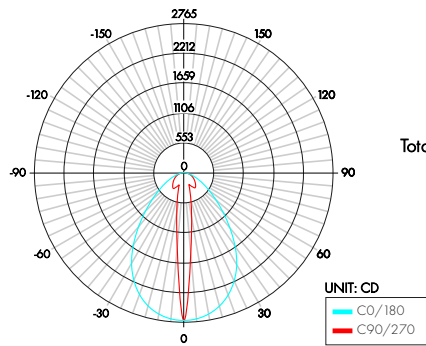
| Zone | Lumen | % Fixture |
|-------|-------|-----------|
| 0-30 | 330 | 25% |
| 0-40 | 550 | 42% |
| 0-60 | 998 | 76% |
| 0-90 | 1297 | 98% |
| 0-180 | 1314 | 100% |

Beam Angle



UNIT: CD
 C0/180
 C90/270

KRM-HE-30K-HO-G-XX



Zonal Lumen Summary 3000K

| Zone | Lumen | % Fixture |
|-------|-------|-----------|
| 0-30 | 824 | 41% |
| 0-40 | 1169 | 57% |
| 0-60 | 1724 | 85% |
| 0-90 | 1992 | 98% |
| 0-180 | 2035 | 100% |

Beam Angle



UNIT: CD
 C0/180
 C90/270

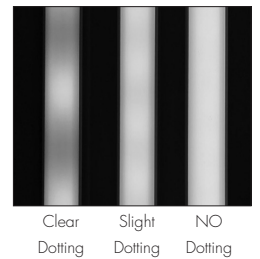
Light Transmission

| Lens/Accessory | Percentage Light Transmission |
|-------------------|-------------------------------|
| clear lens | 100% |
| graze lens | 90% |
| half-frosted lens | 76% |
| frosted lens | 60% |

LED Dotting per extrusion

| output | Lens | | | |
|-------------|-------|----------------|-------|---------|
| | Clear | Half - Frosted | Graze | Frosted |
| LO (LL48HE) | CD | CD | CD | ND |
| SO (LL48HE) | CD | CD | CD | ND |
| MO (LL48HE) | CD | CD | CD | ND |
| HO (LL48HE) | CD | CD | CD | ND |

CD = Clear Dotting
 SD = Slight Dotting
 ND = No Dotting

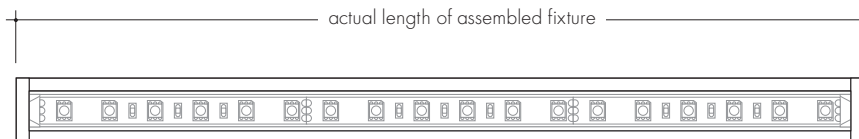


Power consumption per fixture length

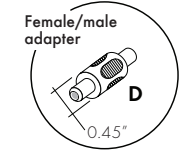
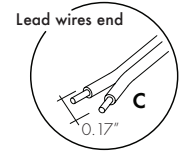
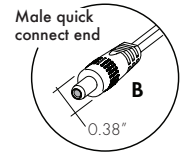
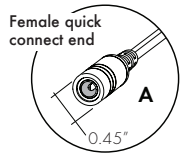
Based on operation with PSD series of power supplies.

| Length | | LO | | SO | | MO | | HO | |
|---------|------------|------|---------------|------|---------------|------|---------------|------|---------------|
| Nominal | Actual | W/ft | Total wattage | W/ft | Total wattage | W/ft | Total wattage | W/ft | Total wattage |
| 12" | 13-1/16" | 2.00 | 2.00 | 2.79 | 2.79 | 3.70 | 3.70 | 5.90 | 5.90 |
| 16" | 17 " | 2.00 | 2.67 | 2.79 | 3.72 | 3.70 | 4.90 | 5.90 | 7.88 |
| 20" | 20-15/16" | 2.00 | 3.33 | 2.79 | 4.65 | 3.70 | 6.10 | 5.90 | 9.86 |
| 24" | 24-14/16" | 2.00 | 4.00 | 2.79 | 5.58 | 3.70 | 7.40 | 5.90 | 11.84 |
| 28" | 28-13/16" | 2.00 | 4.67 | 2.79 | 6.51 | 3.70 | 8.63 | 5.91 | 13.81 |
| 32" | 32-12/16" | 2.00 | 5.34 | 2.79 | 7.44 | 3.70 | 9.83 | 5.91 | 15.78 |
| 36" | 36-11/16" | 2.00 | 6.00 | 2.79 | 8.37 | 3.70 | 11.10 | 5.91 | 17.75 |
| 40" | 40-10/16" | 2.00 | 6.66 | 2.79 | 9.30 | 3.70 | 12.33 | 5.92 | 19.74 |
| 44" | 44-9/16" | 2.00 | 13.33 | 2.79 | 10.23 | 3.70 | 13.56 | 5.92 | 21.73 |
| 48" | 48-8/16" | 2.00 | 8.00 | 2.79 | 11.16 | 3.70 | 14.80 | 5.92 | 23.72 |
| 52" | 52-7/16" | 2.00 | 8.67 | 2.79 | 12.09 | 3.70 | 16.03 | 5.92 | 25.70 |
| 56" | 56-6/16" | 2.00 | 9.34 | 2.79 | 13.02 | 3.70 | 17.26 | 5.92 | 27.68 |
| 60" | 60-5/16" | 2.00 | 10.00 | 2.79 | 13.95 | 3.70 | 18.50 | 5.92 | 29.66 |
| 64" | 66-3/16" | 2.00 | 10.67 | 2.79 | 15.82 | 3.70 | 19.73 | 5.93 | 31.64 |
| 68" | 70-2/16" | 2.00 | 11.34 | 2.79 | 17.69 | 3.70 | 20.96 | 5.93 | 33.62 |
| 72" | 74-1/16" | 2.00 | 12.00 | 2.79 | 19.56 | 3.70 | 22.20 | 5.93 | 35.60 |
| 76" | 78 " | 2.00 | 12.67 | 2.79 | 20.48 | 3.70 | 23.43 | 5.91 | 37.53 |
| 80" | 82 " | 2.00 | 13.37 | 2.79 | 21.40 | 3.70 | 24.66 | 5.91 | 39.46 |
| 84" | 85-14/16" | 2.00 | 14.00 | 2.79 | 22.32 | 3.70 | 25.90 | 5.91 | 41.40 |
| 88" | 89-13/16" | 2.00 | 14.67 | 2.79 | 23.25 | 3.70 | 27.13 | 5.92 | 43.40 |
| 92" | 93-12/16" | 2.00 | 15.37 | 2.79 | 24.18 | 3.70 | 28.36 | 5.92 | 45.40 |
| 96" | 97-11/16" | 2.00 | 16.00 | 2.79 | 25.10 | 3.70 | 29.60 | 5.92 | 47.45 |
| 100" | 101-11/16" | 2.00 | 16.67 | 2.79 | 26.03 | 3.70 | 30.93 | 5.94 | 49.45 |
| 104" | 105-9/16" | 2.00 | 17.37 | 2.79 | 26.96 | 3.70 | 32.26 | 5.94 | 51.45 |
| 108" | 109-8/16" | 2.00 | 18.00 | 2.79 | 27.90 | 3.73 | 33.60 | 5.94 | 53.50 |
| 112" | 113-7/16" | 2.00 | 18.67 | 2.79 | 28.85 | 3.73 | 34.93 | 5.99 | 55.30 |
| 116" | 117-6/16" | 2.00 | 19.37 | 2.79 | 29.80 | 3.73 | 36.26 | 5.99 | 57.10 |
| 120" | 121-6/16" | 2.00 | 20.00 | 2.79 | 30.75 | 3.76 | 37.60 | 5.99 | 58.90 |
| 124" | 125-4/16" | 2.00 | 20.67 | 2.79 | 31.70 | 3.76 | 38.80 | 5.85 | 60.70 |
| 128" | 129-3/16" | 2.00 | 21.34 | 2.79 | 32.65 | 3.76 | 40.00 | 5.85 | 62.50 |
| 132" | 133-2/16" | 2.00 | 22.00 | 2.79 | 33.60 | 3.74 | 41.20 | 5.85 | 64.30 |
| 136" | 137-2/16" | 2.00 | 22.67 | 2.79 | 34.55 | 3.74 | 42.40 | 5.82 | 66.10 |
| 140" | 141-1/16" | 2.00 | 23.34 | 2.79 | 35.50 | 3.74 | 43.60 | 5.82 | 67.90 |
| 144" | 144-15/16" | 2.00 | 24.00 | 2.80 | 36.45 | 3.73 | 44.80 | 5.82 | 69.68 |

to calculate cutout for recess opening subtract 0.25" from actual fixture length

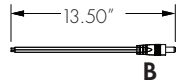


Connectors & Accessories

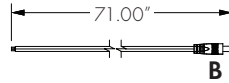


Linking and extension cable options

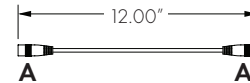
Male quick-connect
Part # LMC



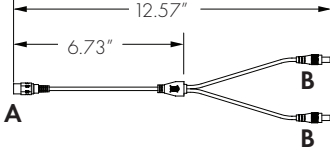
Male quick-connect long
Part # LMC-70



12" extension cable
Part # EC-12



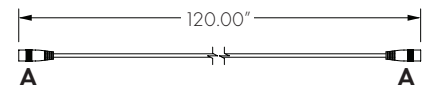
Y-splitter
Part # LYC



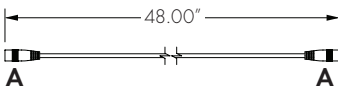
Female/male adaptor
Part # FMA



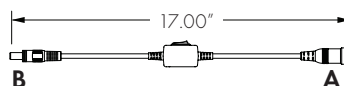
120" extension cable
Part # EC-120



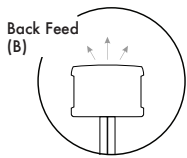
48" extension cable
Part # EC-48



Inline DC switch
Part # IS-DC



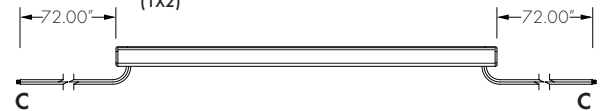
Powerfeed Position / Type



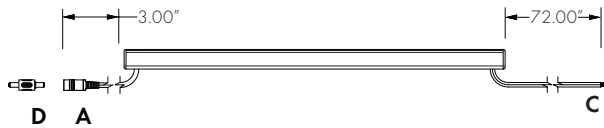
72" wire leads
(1)



72" wire leads at both end
(1X2)



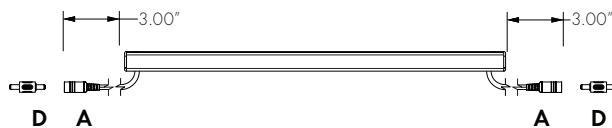
72" wire leads at one end and quick connect at other
(2)



Single quick connect
(3)



Dual quick connect
(4)



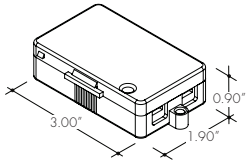
3, and 4 powerfeed options require #LMC to connect to PSD series of power supplies.

Accessory options

Splice Box

LVSP-4T-BK

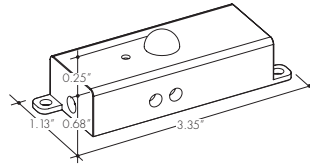
Low voltage, 4 terminal splice box, black



PIR Infrared Occupancy Sensor

OS-DC-F4-BK

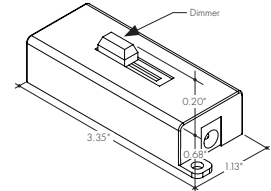
OS-DC-F4-BK - Occupancy Sensor



24VDC Low Voltage In-Line Dimmer Module

DIM-DC-F4-BK

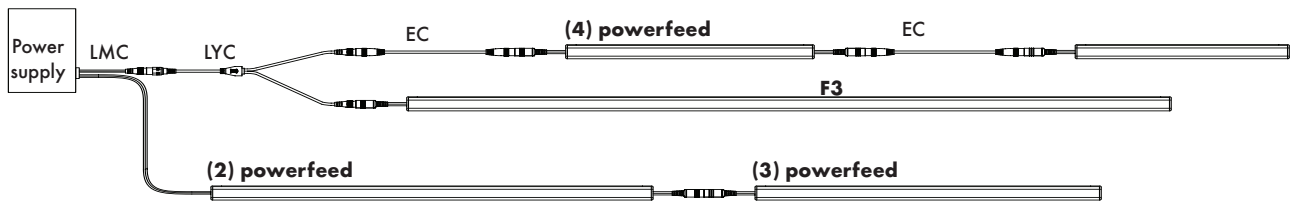
DIM-DC-F4-BK - 24VDC Low Voltage In-Line Dimmer Module



Note: a Male quick connector for input and output is required.

Note: a Male quick connector for input and output is required.

Sample layout



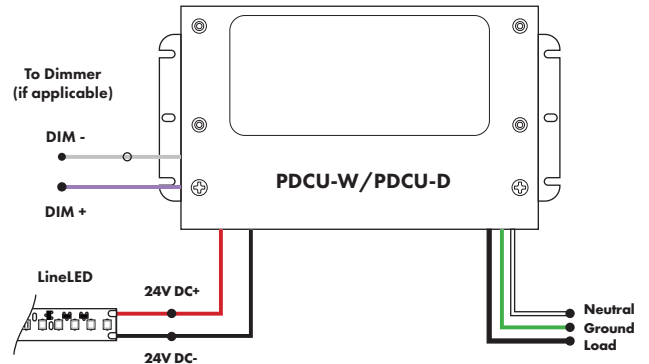
Power Supply

See fixture and power supply instructions & spec sheet for wiring information. Dimming possible in select models - view Luminii website for list of compatible dimmers.

Universal Power Supply

| MODEL | POWER | OUTPUT |
|--------------------------|--|-------------|
| PDCU-W | 96 | 24 |
| PDCU-W - IP66 Wet Series | 96 - 96 W 3X96 - 3X96 W | 24 - 24 VDC |
| PDCU-D - IP20 Dry Series | 30 - 30 W 60 - 60 W 96 - 96 W 3X96 - 3X96 W | |

0-10V - 1% dimming
MLV/ELV/TRIAC - 1% dimming, consult dimming compatibility chart
Compatibility:
View a complete list of compatible dimmers on product page ([Link](#))

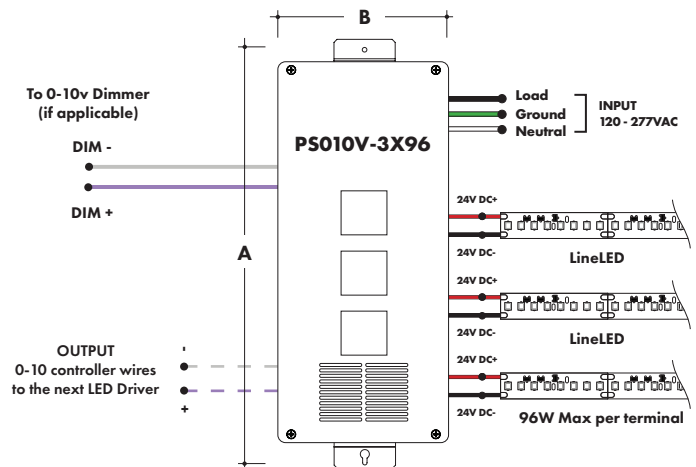
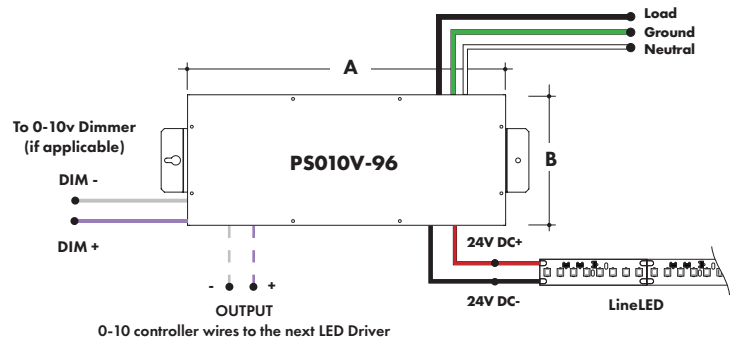


| MODELS | PDCU-W 96W | PDCU-W 3X96W | PDCU-D 30W | PDCU-D 60W | PDCU-D 96W | PDCU-D 3X96W |
|-----------------|------------|--------------|------------|------------|------------|--------------|
| A Length | 8.66" | 11.85" | 6.10" | 7.93" | 8.25" | 9.57" |
| B Width | 3.73" | 4.32" | 3.35" | 3.35" | 4.10" | 5.94" |
| Depth | 1.61" | 1.81" | 1.33" | 1.32" | 1.56" | 1.13" |

0-10V Dimming Power Supplies

| MODEL | POWER | OUTPUT | DIMMING |
|--|------------------------------------|-------------|-----------------------------------|
| PS010V | 96 | 24 | LIN |
| PS010V - 0-10V Power Supply dims down to 0% | 96 - 96 Watt 3X96 - 3 X 96 Watt | 24 - 24 VDC | LIN - Linear LOG - Logarithmic |

| MODELS | 96W | 3X96 |
|-----------------|--------|--------|
| A Length | 14.40" | 15.75" |
| B Width | 5.20" | 6.62" |
| Depth | 2.60" | 4.95" |



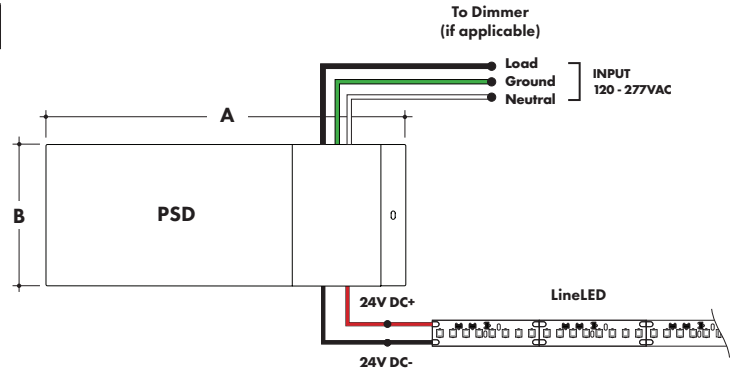
Power Supply

See fixture and power supply instructions & spec sheet for wiring information. Dimming possible in select models - view Luminii website for list of compatible dimmers.

Magnetic Low Voltage Dimming Power Supplies

| MODEL | POWER | OUTPUT | INPUT |
|-------------------------------------|---|-------------|---|
| PSD | 48 | 24 | |
| PSD - PSD Series dims down to 0% | 48 - 48 Watt 96 - 96 Watt 288 - 288 Watt (3 x 96Watt) | 24 - 24 VDC | Blank - 120 V 240 - 240 V 277 - 277 V |

| MODELS | 48W | 96W | 288W |
|-----------------|--------|--------|--------|
| A Length | 11.25" | 11.25" | 13.06" |
| B Width | 3.42" | 3.42" | 8.42" |
| Depth | 3.42" | 3.27" | 4.47" |

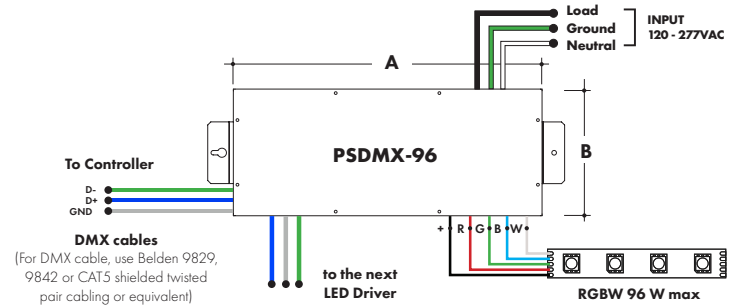


DMX Dimming Power Supplies

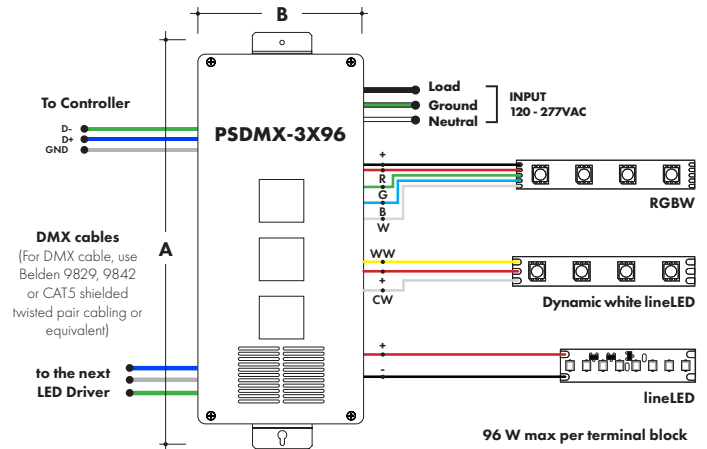
| MODEL | POWER | OUTPUT |
|--------------------------|------------------------------------|-------------|
| PSDMX | 96 | 24 |
| PSDMX - DMX Power Supply | 96 - 96 Watt 3X96 - 3 X 96 Watt | 24 - 24 VDC |

Features eldoLED's LINEARdrive configurable dimmable drivers

| MODELS | 96W | 3X96 |
|-----------------|--------|--------|
| A Length | 14.40" | 15.75" |
| B Width | 5.20" | 6.62" |
| Depth | 2.60" | 4.95" |



DMX cables
(For DMX cable, use Belden 9829, 9842 or CAT5 shielded twisted pair cabling or equivalent)



Power Supply

See fixture and power supply instructions & spec sheet for wiring information. Dimming possible in select models - view Luminii website for list of compatible dimmers.

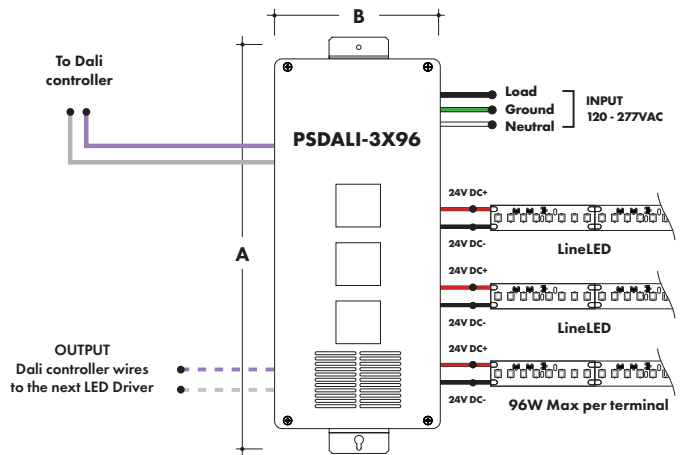
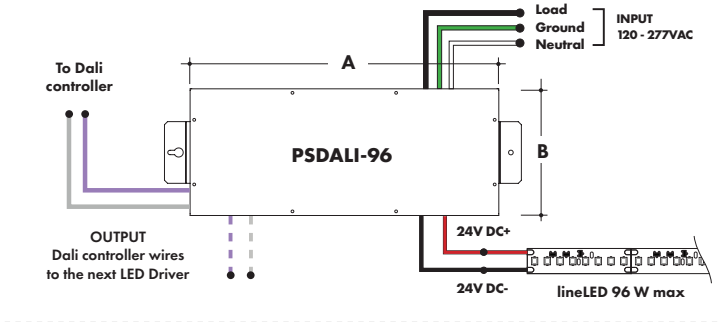
DALI Dimming Power Supplies

| MODEL | POWER | OUTPUT |
|---------------|-----------|-----------|
| PSDALI | 96 | 24 |

PSDALI - DALI Power Supply
dims down to 0%
96 - 96 Watt
3X96 - 3 X 96 Watt
24 - 24 VDC

Features eldoLED's LINEARdrive configurable dimmable drivers

| MODELS | 96W | 3X96 |
|-----------------|--------|--------|
| A Length | 14.40" | 15.75" |
| B Width | 5.20" | 6.62" |
| Depth | 2.60" | 4.95" |

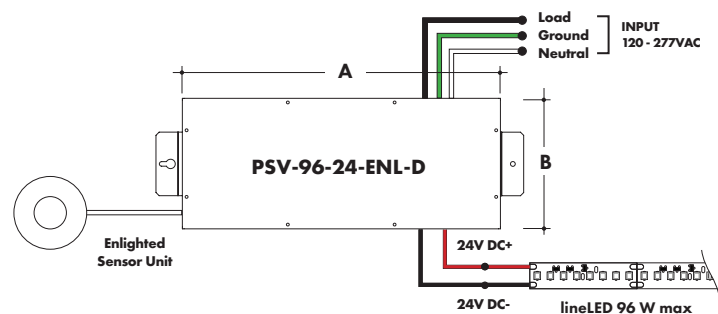


Enlighted Enabled Dimming Power Supplies:

| MODEL | POWER | OUTPUT | DIMMING | LOCATION |
|------------|-----------|-----------|------------|----------|
| PSV | 96 | 24 | ENL | D |

PSV - PSV Series 96 - 96 Watt 24 - 24 VDC ENL - Enlighted Dimming D - Damp

| MODELS | 96W |
|-----------------|--------|
| A Length | 14.40" |
| B Width | 5.20" |
| Depth | 2.60" |

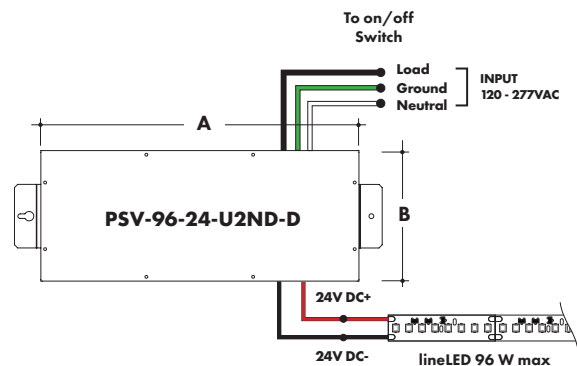


Non-Dimming Power Supply

| MODEL | POWER | OUTPUT | DIMMING | LOCATION |
|------------|-----------|-----------|-------------|----------|
| PSV | 96 | 24 | U2ND | D |

PSV - PSV Series 96 - 96 Watt 24 - 24 VDC U2ND - Non Dimming D - Damp

| MODELS | 96W |
|-----------------|--------|
| A Length | 14.40" |
| B Width | 5.20" |
| Depth | 2.60" |



Power Supply

See fixture and power supply instructions & spec sheet for wiring information. Dimming possible in select models - view Luminii website for list of compatible dimmers.



Luminii is a Lutron OEM Advantage Partner

MODEL

LTEA4U1UKL-CV240

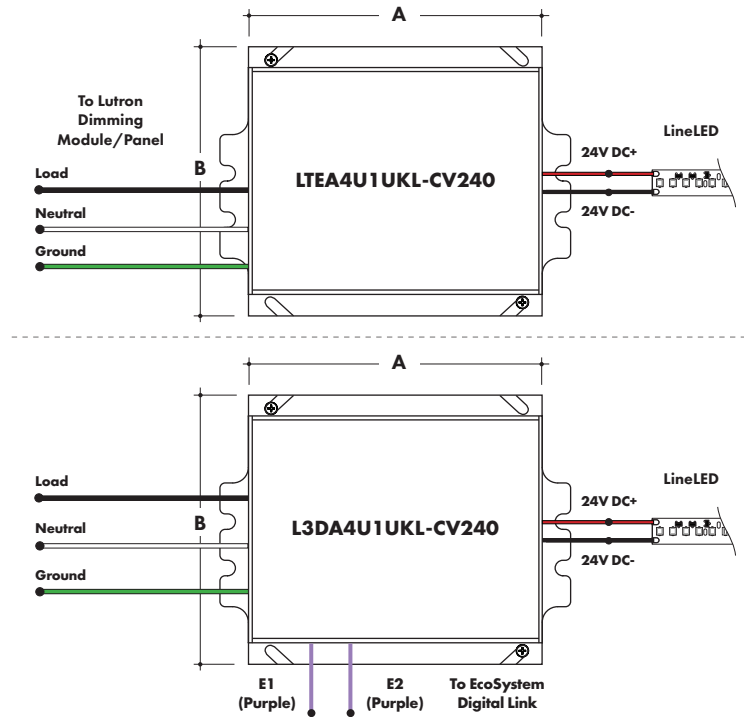
Lutron - HiLume™ 1% 2-wire LED Driver
(120V forward phase only)

MODEL

L3DA4U1UKL-CV240

HiLume™ 1% EcoSystem Voltage LED driver

| MODELS | LTEA4U1UKL-CV240 | L3DA4U1UKL-CV240 |
|-----------------|------------------|------------------|
| A Length | 4.89" | 4.98" |
| B Width | 4.00" | 4.00" |
| Depth | 2.62" | 2.62" |



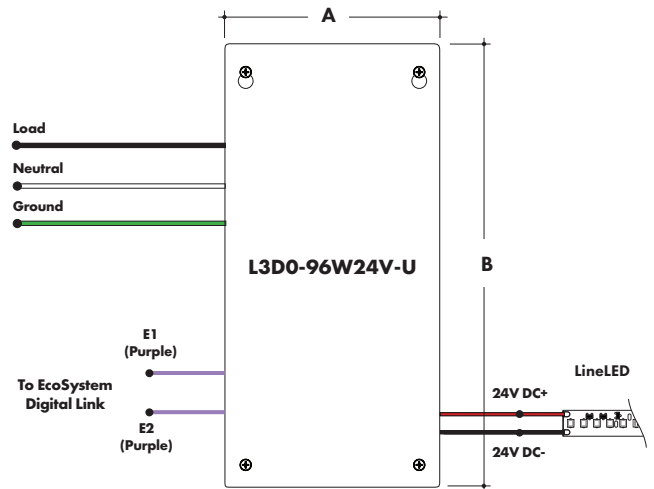
Luminii is a Lutron OEM Advantage Partner

MODEL

L3D0-96W24V-U

HiLume™ 0.1% EcoSystem Voltage LED Driver with Soft-On, Fade-to-Black™

| MODELS | L3D0 |
|-----------------|--------|
| A Length | 10.50" |
| B Width | 5.50" |
| Depth | 2.00" |



Power Supply

See fixture and power supply instructions & spec sheet for wiring information. Dimming possible in select models - view Luminii website for list of compatible dimmers.

In ground, Electronic Low Voltage Dimming Power Supplies

| MODEL | POWER | OUTPUT | INPUT |
|--|--------------------|-------------|----------------------------------|
| IG - CVE | 96X2 | 24 | Blank - 120 V 277 - 240/277 V |
| IG - In ground CVE Series | 96X2 - 2 X 96 Watt | 24 - 24 VDC | |
| CVE - ELV Dimming DALI - eldoLED Dali dimming | | | |
| Both dims down to 0.1% | | | |

| MODELS | Dual Circuit |
|-----------------|--------------|
| A Length | 8.40" |
| B Width | 8.30" |
| Depth | 8.10" |

