



Features

- 24VDC Class 2 fixtures made to order up to 144". Fixtures can be linked up to 16' depending on output
- Suitable for undercabinet, millwork ground recessed, and ceiling recessed applications
- Approved for closet/storage space installation per NEC 410.16(A)(3) and 410.16(C)(5)
- Dot free even illumination achievable with frosted lens
- Vibrant colors with R9 values up to 98
- Single micro binned LEDs +/- 30 CCT
- Dims with minimal color shift
- Class 2 listed for wet locations
- Proprietary strong bond solder method handles up to 50lbs of torque on wire leads and connectors
- 3 Year warranty



Finish options

IP68



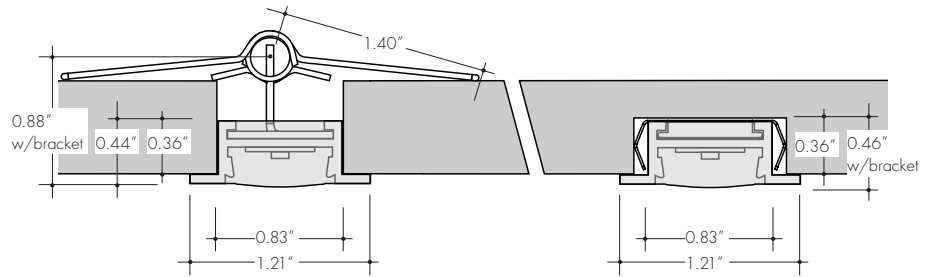
IC RATED

ROHS



- Silver anodized
- Black powder coated
- Bronze powder coated
- White powder coated

Profile dimensions



Kendo RLW using the gypsum surface mounting bracket option, for surfaces such as drywall, plaster, etc.

Kendo RLW using the hard surface mounting bracket option, for surfaces such as wood, stone, tile, etc.

Technical information

OUTPUT OPTIONS

Output	Lumens at 4000K (with clear lens)	Average power consumption at 4'	Lumens / Watt (with clear lens)	Maximum system length In series
SO (LL36X2)	429 lm/ft	6.5 W/ft	66 lm/W	16'
HO (LL54X2)	633 lm/ft	10.4 W/ft	61 lm/W	10'

CCT INFO/LUMEN MULTIPLIER

Color temperature	Multiplier (reference - 4000K)	CRI	R _f	R _g
2700K	0.73	97	95	101
3000K	0.81	91	89	98
3500K	0.86	94	90	102
4000K	1.00	94	86	96

TM-30-15

Ordering code

MODEL	LENGTH	CCT	OUTPUT	LENS	MOUNTING	FINISH	POWER FEED POSITION / TYPE
KRLW	12	27K	SO	C	HS	SA	B
<p>KRLW - Kendo RL Wet</p> <p>12" - 144" 4" increments</p> <p>27K - 2700 K 30K - 3000 K 35K - 3500 K 41K - 4100 K</p> <p>SO - Standard *HO - High</p> <p>C - Clear F - Frosted</p> <p>HS - Hard surface mounting bracket GS - Gypsum surface mounting bracket NB - No bracket</p> <p>SA - Silver BK - Black BZ - Bronze WH - White (BK,BZ,WH finishes will have an upcharge and require longer lead times)</p> <p>B - Back</p> <p>1 - 72" wire leads 1X2 - 72" wire leads at both ends 2 - 72" wire leads at one end and quick connect at other 3 - Single quick connect 4 - Dual quick connect</p>							

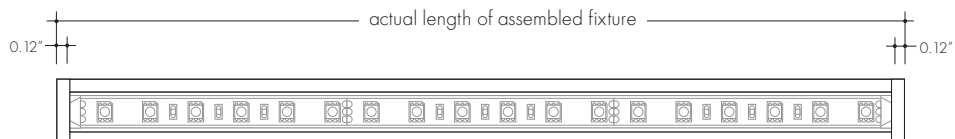
*Not available over 120"

Power consumption per fixture length

Based on operation with PSD series of power supplies.

Nominal Length	SO			HO		
	Actual Length	W/ft	Total wattage	Actual Length	W/ft	Total wattage
12"	13-2/16"	6.80	6.8	13-1/16"	10.80	10.8
16"	17 "	6.78	8.9	17 "	10.73	13.8
20"	21 "	6.76	11.5	21 "	10.67	16.8
24"	24-14/16"	6.75	13.5	24-15/16"	10.60	19.8
28"	28-13/16"	6.72	15.8	28-13/16"	10.50	23.5
32"	32-13/16"	6.69	17.9	32-13/16"	10.40	27.2
36"	36-11/16"	6.65	19.95	36-12/16"	10.30	30.9
40"	40-10/16"	6.62	22	40-11/16"	10.29	34.3
44"	44-10/16"	6.59	24	44-10/16"	10.28	37.7
48"	48-9/16"	6.55	26.2	48-9/16"	10.28	41.1
52"	52-8/16"	6.50	28	53-13/16"	10.27	44.6
56"	56-7/16"	6.45	30	57-12/16"	10.26	48.1
60"	60-6/16"	6.40	32	61-11/16"	10.25	51.6
64"	64-5/16"	6.37	34	65-10/16"	10.23	55.5
68"	70-3/16"	6.34	35.5	69-9/16"	10.22	59
72"	74-2/16"	6.30	37.8	73-8/16"	10.20	63.2
76"	78-1/16"	6.27	39.66	77-7/16"	10.17	66.2
80"	82-1/16"	6.24	41.5	81-7/16"	10.14	69.12
84"	85-15/16"	6.20	43.4	85-6/16"	10.10	72.1
88"	89-14/16"	6.17	45.2	89-4/16"	10.00	74.5
92"	93-13/16"	6.14	47	93-3/16"	9.96	76.9
96"	97-12/16"	6.10	48.8	97-3/16"	9.90	79.4
100"	101-12/16"	6.07	50.5	101-2/16"	9.87	82.3
104"	105-10/16"	6.04	52.3	105-1/16"	9.83	85.2
108"	109-10/16"	6.00	54	109 "	9.80	88.1
112"	113-9/16"	5.98	55.8	112-15/16"	9.77	90.7
116"	117-7/16"	5.97	57.7	116-14/16"	9.73	93.3
120"	121-7/16"	5.95	59.5	120-14/16"	9.70	96
124"	125-6/16"	5.92	61.1			
128"	129-4/16"	5.89	62.7			
132"	133-4/16"	5.85	64.35			
136"	137-3/16"	5.83	66			
140"	141-2/16"	5.81	67.9			
144"	145-1/16"	5.80	69.6			

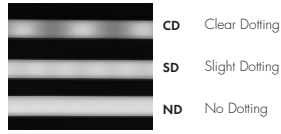
to calculate cutout for recess opening subtract 0.25" from actual fixture length



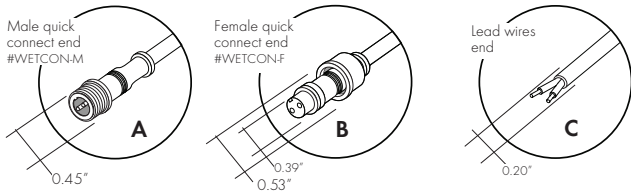
LED Dotting per extrusion

LED Dotting per output/lens

Output Type	Lens Type	
	Clear	Frosted
SO (LL36X2)	CD	CD
HO (LL54X2)	CD	ND

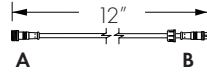


Connectors

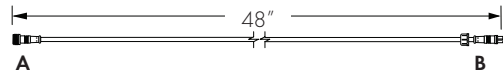


Linking and Extension Cable

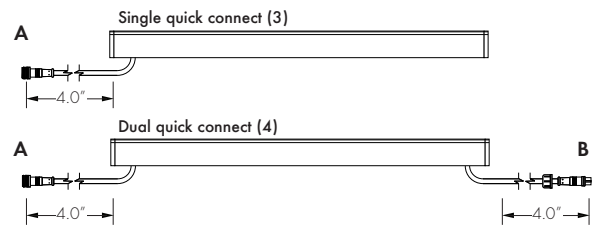
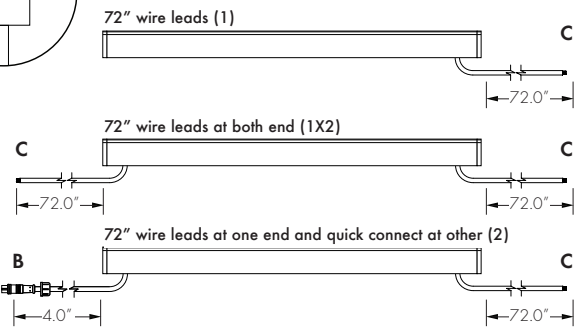
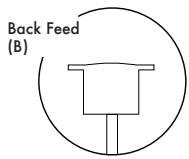
Male/female Joiner 12" - Part # IP67-12



Male/female Joiner 48" - Part # IP67-48

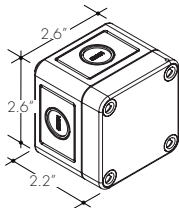


Powerfeed Position / Type

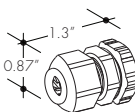


Accessory options

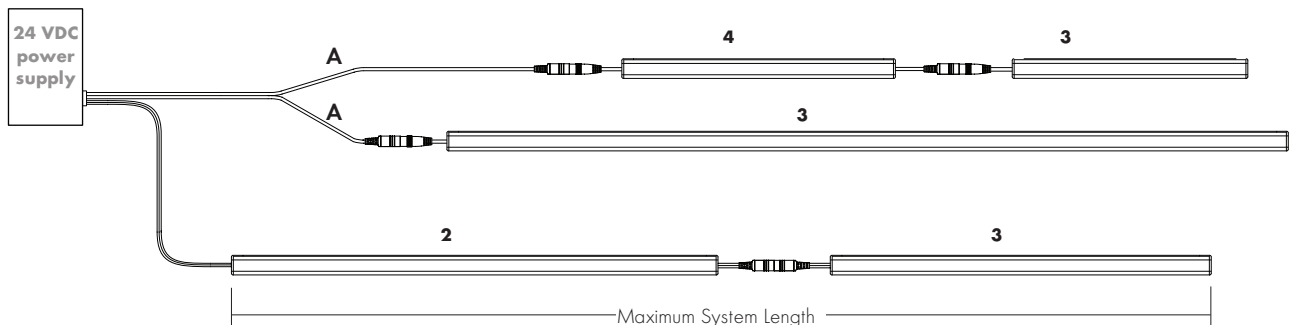
Splice Box:
Wet rated, low voltage
splice box, gray
Part # LVSP-WET



Connector:
Low voltage splice box
wet cable management
gray
Part # LVSP-WET-CM



Sample layout of powerfeed connections



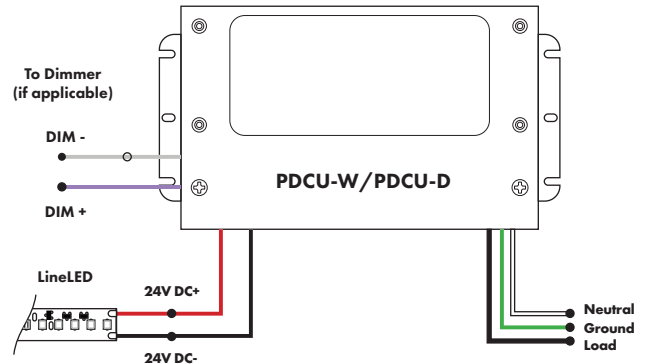
Power Supply

See fixture and power supply instructions & spec sheet for wiring information. Dimming possible in select models - view Luminii website for list of compatible dimmers.

Universal Power Supply

MODEL	POWER	OUTPUT
PDCU-W	96	24
PDCU-W - IP66 Wet Series	96 - 96 W 3X96 - 3X96 W	24 - 24 VDC
PDCU-D - IP20 Dry Series	30 - 30 W 60 - 60 W 96 - 96 W 3X96 - 3X96 W	

0-10V - 1% dimming
MLV/ELV/TRIAC - 1% dimming, consult dimming compatibility chart
Compatibility:
View a complete list of compatible dimmers on product page ([Link](#))

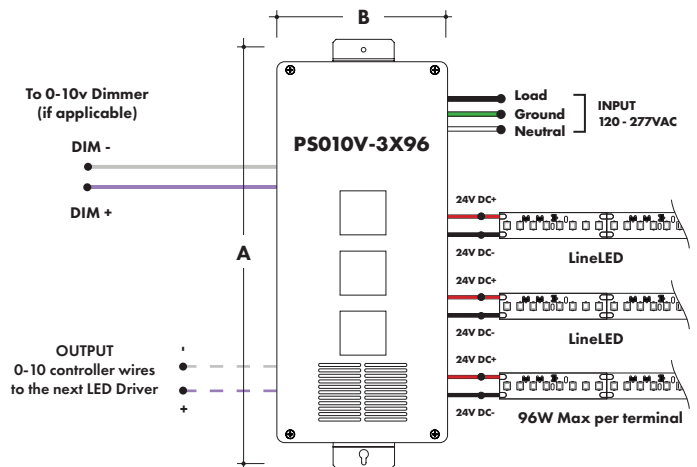
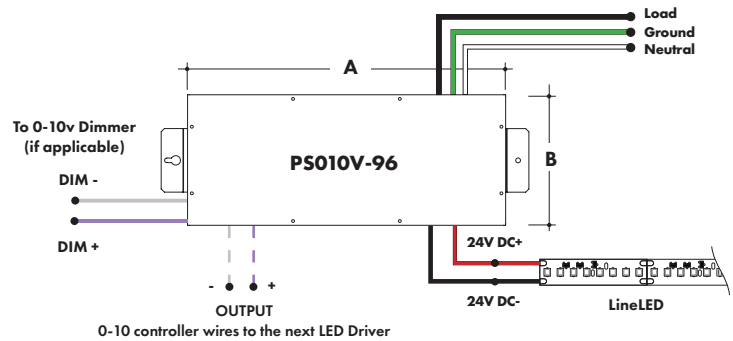


MODELS	PDCU-W 96W	PDCU-W 3X96W	PDCU-D 30W	PDCU-D 60W	PDCU-D 96W	PDCU-D 3X96W
A Length	8.66"	11.85"	6.10"	7.93"	8.25"	9.57"
B Width	3.73"	4.32"	3.35"	3.35"	4.10"	5.94"
Depth	1.61"	1.81"	1.33"	1.32"	1.56"	1.13"

0-10V Dimming Power Supplies

MODEL	POWER	OUTPUT	DIMMING
PS010V	96	24	LIN
PS010V - 0-10V Power Supply dims down to 0%	96 - 96 Watt 3X96 - 3 X 96 Watt	24 - 24 VDC	LIN - Linear LOG - Logarithmic

MODELS	96W	3X96
A Length	14.40"	15.75"
B Width	5.20"	6.62"
Depth	2.60"	4.95"



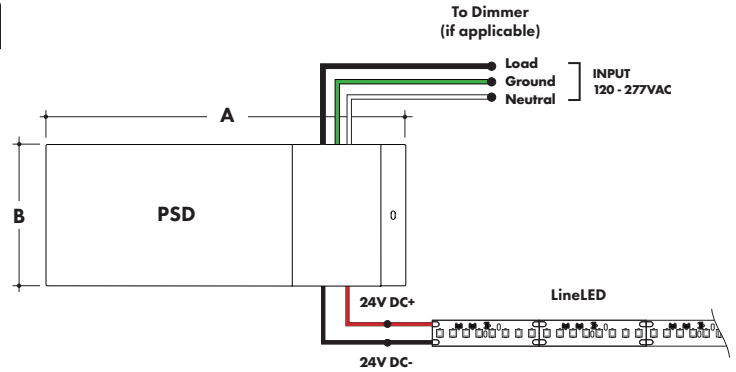
Power Supply

See fixture and power supply instructions & spec sheet for wiring information. Dimming possible in select models - view Luminii website for list of compatible dimmers.

Magnetic Low Voltage Dimming Power Supplies

MODEL	POWER	OUTPUT	INPUT
PSD	48	24	
PSD - PSD Series dims down to 0%	48 - 48 Watt 96 - 96 Watt 288 - 288 Watt (3 x 96Watt)	24 - 24 VDC	Blank - 120 V 240 - 240 V 277 - 277 V

MODELS	48W	96W	288W
A Length	11.25"	11.25"	13.06"
B Width	3.42"	3.42"	8.42"
Depth	3.42"	3.27"	4.47"

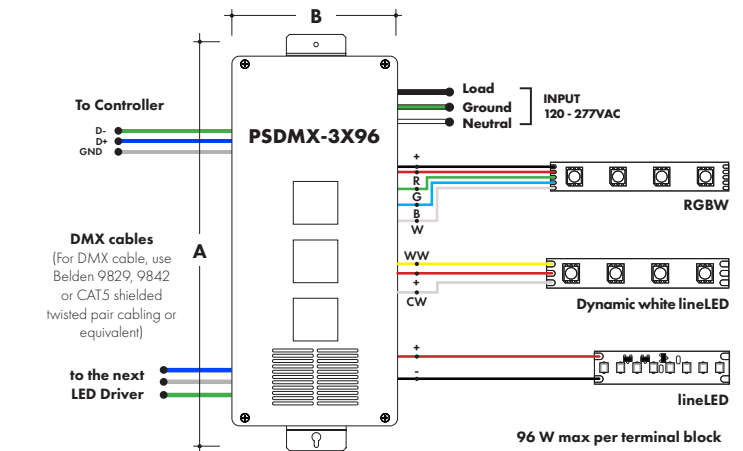
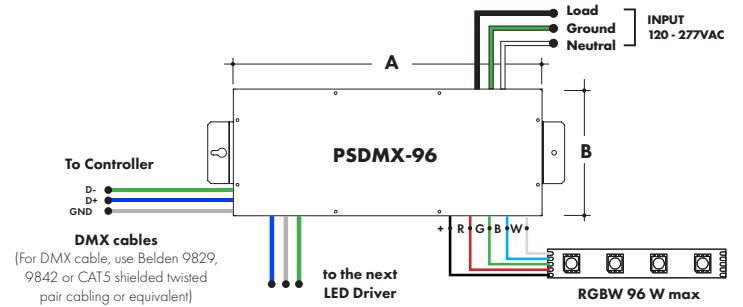


DMX Dimming Power Supplies

MODEL	POWER	OUTPUT
PSDMX	96	24
PSDMX - DMX Power Supply	96 - 96 Watt 3X96 - 3 X 96 Watt	24 - 24 VDC

Features eldoLED's LINEARdrive configurable dimmable drivers

MODELS	96W	3X96
A Length	14.40"	15.75"
B Width	5.20"	6.62"
Depth	2.60"	4.95"



Power Supply

See fixture and power supply instructions & spec sheet for wiring information. Dimming possible in select models - view Luminii website for list of compatible dimmers.

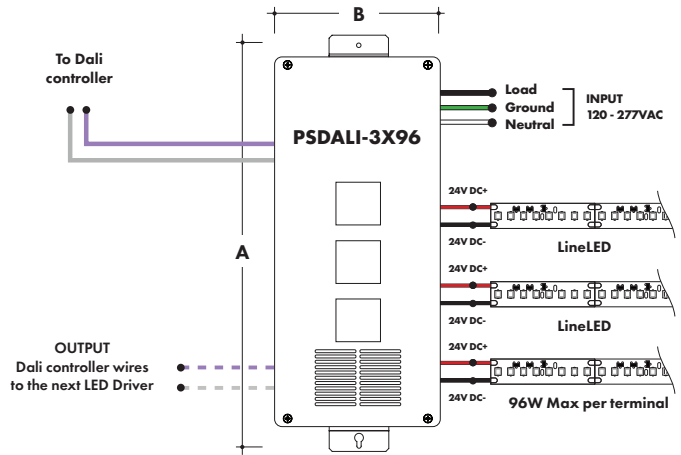
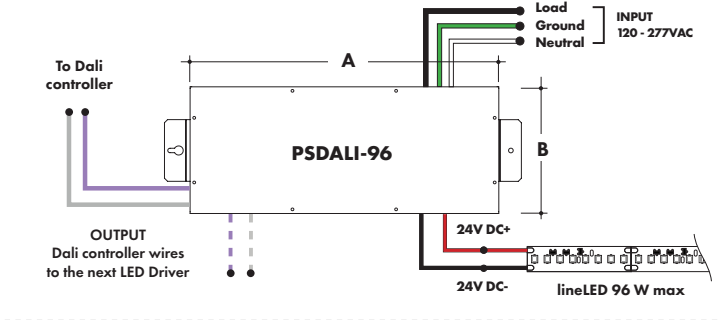
DALI Dimming Power Supplies

MODEL	POWER	OUTPUT
PSDALI	96	24

PSDALI - DALI Power Supply
dims down to 0%
96 - 96 Watt
3X96 - 3 X 96 Watt
24 - 24 VDC

Features eldoLED's LINEARdrive configurable dimmable drivers

MODELS	96W	3X96
A Length	14.40"	15.75"
B Width	5.20"	6.62"
Depth	2.60"	4.95"

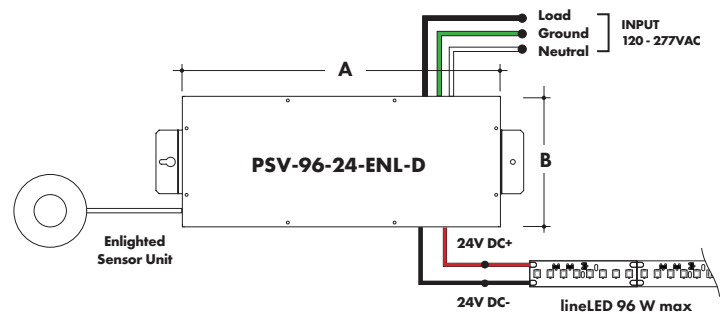


Enlighted Enabled Dimming Power Supplies:

MODEL	POWER	OUTPUT	DIMMING	LOCATION
PSV	96	24	ENL	D

PSV - PSV Series 96 - 96 Watt 24 - 24 VDC ENL - Enlighted Dimming D - Damp

MODELS	96W
A Length	14.40"
B Width	5.20"
Depth	2.60"

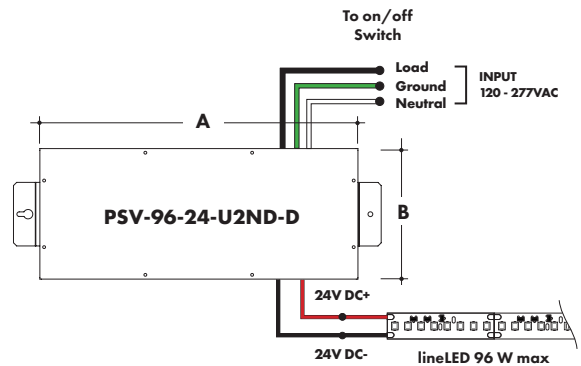


Non-Dimming Power Supply

MODEL	POWER	OUTPUT	DIMMING	LOCATION
PSV	96	24	U2ND	D

PSV - PSV Series 96 - 96 Watt 24 - 24 VDC U2ND - Non Dimming D - Damp

MODELS	96W
A Length	14.40"
B Width	5.20"
Depth	2.60"



Power Supply

See fixture and power supply instructions & spec sheet for wiring information. Dimming possible in select models - view Luminii website for list of compatible dimmers.



Luminii is a Lutron OEM Advantage Partner

MODEL

LTEA4U1UKL-CV240

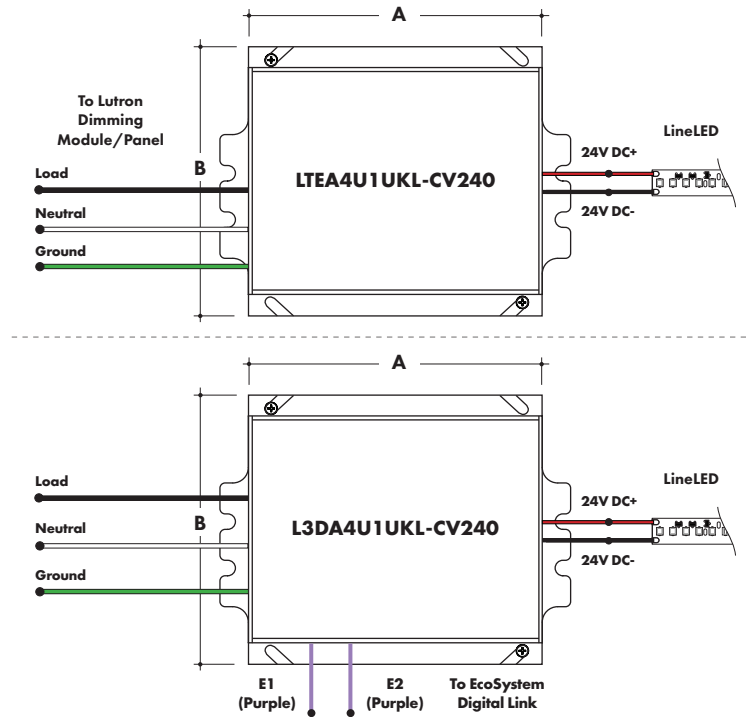
Lutron - HiLume™ 1% 2-wire LED Driver
(120V forward phase only)

MODEL

L3DA4U1UKL-CV240

HiLume™ 1% EcoSystem Voltage LED driver

MODELS	LTEA4U1UKL-CV240	L3DA4U1UKL-CV240
A Length	4.89"	4.98"
B Width	4.00"	4.00"
Depth	2.62"	2.62"



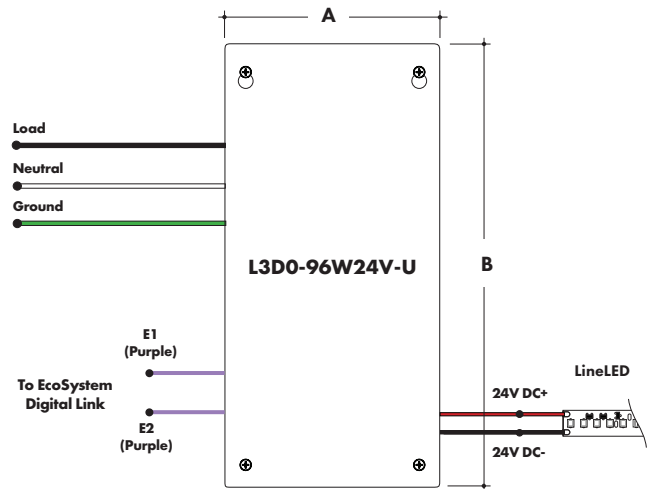
Luminii is a Lutron OEM Advantage Partner

MODEL

L3D0-96W24V-U

HiLume™ 0.1% EcoSystem Voltage LED Driver with Soft-On, Fade-to-Black™

MODELS	L3D0
A Length	10.50"
B Width	5.50"
Depth	2.00"



Power Supply

See fixture and power supply instructions & spec sheet for wiring information. Dimming possible in select models - view Luminii website for list of compatible dimmers.

In ground, Electronic Low Voltage Dimming Power Supplies

MODEL	POWER	OUTPUT	INPUT
IG - CVE	96X2	24	Blank - 120 V 277 - 240/277 V
IG - In ground CVE Series	96X2 - 2 X 96 Watt	24 - 24 VDC	
CVE - ELV Dimming DALI - eldoLED Dali dimming Both dims down to 0.1%			

MODELS	Dual Circuit
A Length	8.40"
B Width	8.30"
Depth	8.10"

