

**Features**

- Efficacy up to 110 lm/w - a 57% increase over the standard RL model
- 24VDC Class 2 fixtures made to order up to 144". Fixtures can be linked up to 55' depending on output
- Suitable for undercabinet, millwork ground recessed, and ceiling recessed applications
- Approved for closet/storage space installation per NEC 410.16(A)(3) and 410.16(C)(5)
- Single micro binned LEDs +/- 30 CCT
- Dims with minimal color shift
- Class 2 listed for damp locations
- Proprietary strong bond solder method handles up to 50lbs of torque on wire leads and connectors
- 5 Year warranty



**Finish options**



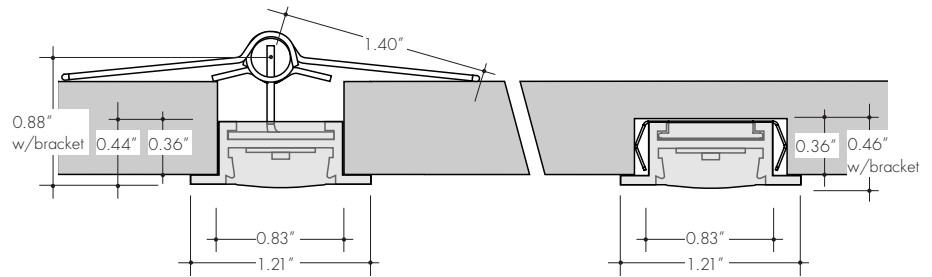
IC RATED

RoHS



- Silver anodized
- Black powder coated
- Bronze powder coated
- White powder coated

**Profile dimensions**



Kendo RL HE using the gypsum surface mounting bracket option, for surfaces such as drywall, plaster, etc.

Kendo RL HE using the hard surface mounting bracket option, for surfaces such as wood, stone, tile, etc.

**Technical information**

**OUTPUT OPTIONS**

Output	Lumens at 3000K (with clear lens)	Average power consumption at 4'	Lumens / Watt (with clear lens)	Maximum system length In series
LO (LL48HE-LO)	212 lm/ft	2.0 W/ft	106 lm/W	55'
SO (LL48HE-SO)	301 lm/ft	2.8 W/ft	108 lm/W	38'
MO (LL48HE-MO)	403 lm/ft	3.7 W/ft	109 lm/W	27'
HO (LL48HE-HO)	647 lm/ft	5.9 W/ft	110 lm/W	17'

**CCT INFO/LUMEN MULTIPLIER**

**TM-30-15**

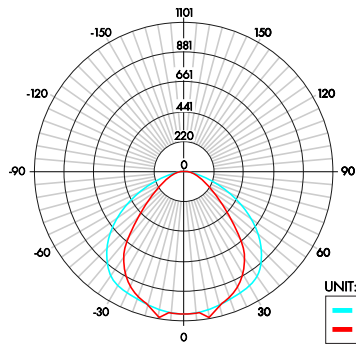
Color temperature	Multiplier (referenced from 3000K)	CRI	R <sub>f</sub>	R <sub>g</sub>
2700K	0.94	92	90	99
3000K	1.00	92	89	99
3500K	1.02	92	89	99
4000K	1.02	92	86	94

**Ordering code**

MODEL	LENGTH	CCT	OUTPUT	LENS	MOUNTING	FINISH	POWER FEED POSITION / TYPE	
KRL - Kendo RL	HE - High Efficacy	12 - 144" 4" increments	27K - 2700 K 30K - 3000 K 35K - 3500 K 40K - 4000 K	LO - low SO - Standard MO - Medium HO - High	C - Clear HF - Half-Frosted F - Frosted	HS - Hard surface mounting bracket GS - Gypsum surface mounting bracket NB - No bracket	SA - Silver BK - Black BZ - Bronze WH - White (BK,BZ,WH finishes will have an upcharge and require longer lead times)	B - Back 1 - 72" wire leads 1X2 - 72" wire leads at both ends 2 - 72" wire leads at one end and quick connect at other 3 - Single quick connect 4 - Dual quick connect

Photometry

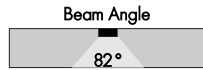
KRL-HE-48-30K-HO-CXX



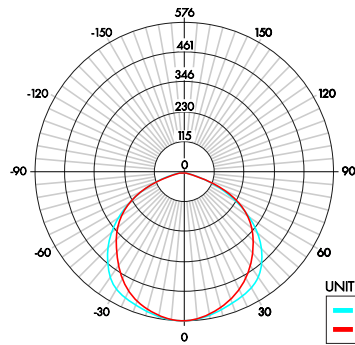
Zonal Lumen Summary 3000K

Zone	Lumen	% Fixture
0-30	850	33%
0-40	1402	54%
0-60	2270	88%
0-90	2565	99%
0-180	2588	100%

Total



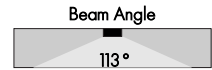
KRL-HE-48-30K-HO-FXX



Zonal Lumen Summary 3000K

Zone	Lumen	% Fixture
0-30	456	26%
0-40	757	43%
0-60	1361	77%
0-90	1750	99%
0-180	1771	100%

Total



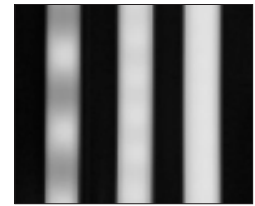
Light Transmission

Lens/Accessory	Percentage Light Transmission
clear lens	100%
half-frosted lens	76%
frosted lens	60%

LED Dotting per extrusion

output	Lens		
	Clear	Half - Frosted	Frosted
LO	CD	CD	SD
SO	CD	CD	SD
MO	CD	CD	SD
HO	CD	CD	SD

CD = Clear Dotting  
SD = Slight Dotting  
ND = No Dotting



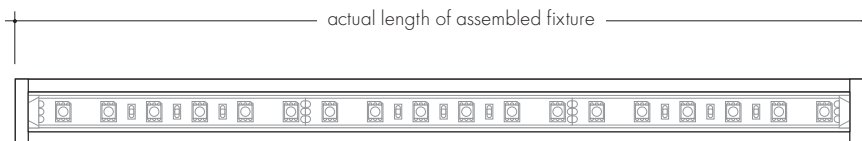
Clear Dotting   Slight Dotting   NO Dotting

Power consumption per fixture length

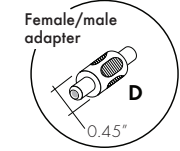
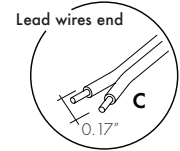
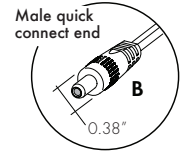
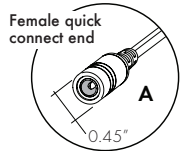
Based on operation with PSD series of power supplies.

Length		LO		SO		MO		HO	
Nominal	Actual	W/ft	Total wattage	W/ft	Total wattage	W/ft	Total wattage	W/ft	Total wattage
12"	13-1/16"	2.00	2.00	2.79	2.79	3.70	3.70	5.90	5.90
16"	17 "	2.00	2.67	2.79	3.72	3.70	4.90	5.90	7.88
20"	20-15/16"	2.00	3.33	2.79	4.65	3.70	6.10	5.90	9.86
24"	24-14/16"	2.00	4.00	2.79	5.58	3.70	7.40	5.90	11.84
28"	28-13/16"	2.00	4.67	2.79	6.51	3.70	8.63	5.91	13.81
32"	32-12/16"	2.00	5.34	2.79	7.44	3.70	9.83	5.91	15.78
36"	36-11/16"	2.00	6.00	2.79	8.37	3.70	11.10	5.91	17.75
40"	40-10/16"	2.00	6.66	2.79	9.30	3.70	12.33	5.92	19.74
44"	44-9/16"	2.00	13.33	2.79	10.23	3.70	13.56	5.92	21.73
48"	48-8/16"	2.00	8.00	2.79	11.16	3.70	14.80	5.92	23.72
52"	52-7/16"	2.00	8.67	2.79	12.09	3.70	16.03	5.92	25.70
56"	56-6/16"	2.00	9.34	2.79	13.02	3.70	17.26	5.92	27.68
60"	60-5/16"	2.00	10.00	2.79	13.95	3.70	18.50	5.92	29.66
64"	66-3/16"	2.00	10.67	2.79	15.82	3.70	19.73	5.93	31.64
68"	70-2/16"	2.00	11.34	2.79	17.69	3.70	20.96	5.93	33.62
72"	74-1/16"	2.00	12.00	2.79	19.56	3.70	22.20	5.93	35.60
76"	78 "	2.00	12.67	2.79	20.48	3.70	23.43	5.91	37.53
80"	82 "	2.00	13.37	2.79	21.40	3.70	24.66	5.91	39.46
84"	85-14/16"	2.00	14.00	2.79	22.32	3.70	25.90	5.91	41.40
88"	89-13/16"	2.00	14.67	2.79	23.25	3.70	27.13	5.92	43.40
92"	93-12/16"	2.00	15.37	2.79	24.18	3.70	28.36	5.92	45.40
96"	97-11/16"	2.00	16.00	2.79	25.10	3.70	29.60	5.92	47.45
100"	101-11/16"	2.00	16.67	2.79	26.03	3.70	30.93	5.94	49.45
104"	105-9/16"	2.00	17.37	2.79	26.96	3.70	32.26	5.94	54.45
108"	109-8/16"	2.00	18.00	2.79	27.90	3.73	33.60	5.94	53.50
112"	113-7/16"	2.00	18.67	2.79	28.85	3.73	34.93	5.99	55.30
116"	117-6/16"	2.00	19.37	2.79	29.80	3.73	36.26	5.99	57.10
120"	121-6/16"	2.00	20.00	2.79	30.75	3.76	37.60	5.99	58.90
124"	125-4/16"	2.00	20.67	2.79	31.70	3.76	38.80	5.85	60.70
128"	129-3/16"	2.00	21.34	2.79	32.65	3.76	40.00	5.85	62.50
132"	133-2/16"	2.00	22.00	2.79	33.60	3.74	41.20	5.85	64.30
136"	137-2/16"	2.00	22.67	2.79	34.55	3.74	42.40	5.82	66.10
140"	141-1/16"	2.00	23.34	2.79	35.50	3.74	43.60	5.82	67.90
144"	144-15/16"	2.00	24.00	2.80	36.45	3.73	44.80	5.82	69.68

to calculate cutout for recess opening subtract 0.25" from actual fixture length

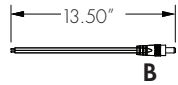


Connectors & Accessories

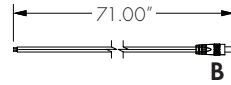


Linking and extension cable options

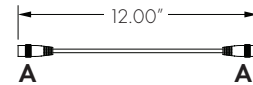
Male quick-connect  
Part # LMC



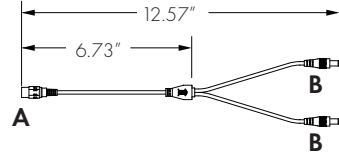
Male quick-connect long  
Part # LMC-70



12" extension cable  
Part # EC-12



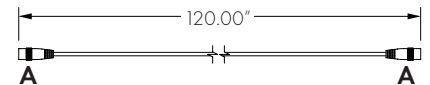
Y-splitter  
Part # LYC



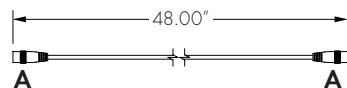
Female/male adaptor  
Part # FMA



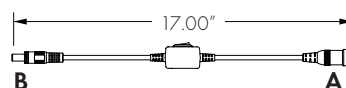
120" extension cable  
Part # EC-120



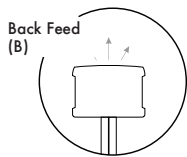
48" extension cable  
Part # EC-48



Inline DC switch  
Part # IS-DC



Powerfeed Position / Type



72" wire leads  
(1)



72" wire leads at both end  
(1X2)



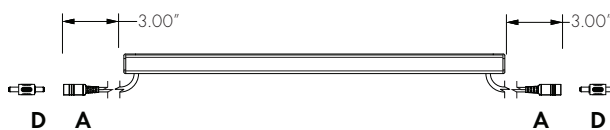
72" wire leads at one end and quick connect at other  
(2)



Single quick connect  
(3)



Dual quick connect  
(4)



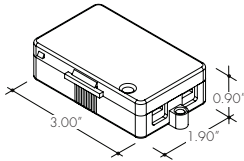
3, and 4 powerfeed options require #LMC to connect to PSD series of power supplies.

Accessory options

Splice Box

LVSP-4T-BK

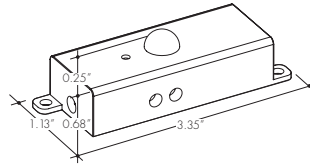
Low voltage, 4 terminal splice box, black



PIR Infrared Occupancy Sensor

OS-DC-F4-BK

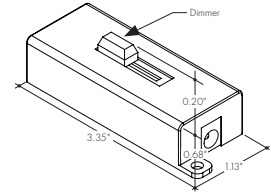
OS-DC-F4-BK - Occupancy Sensor



24VDC Low Voltage In-Line Dimmer Module

DIM-DC-F4-BK

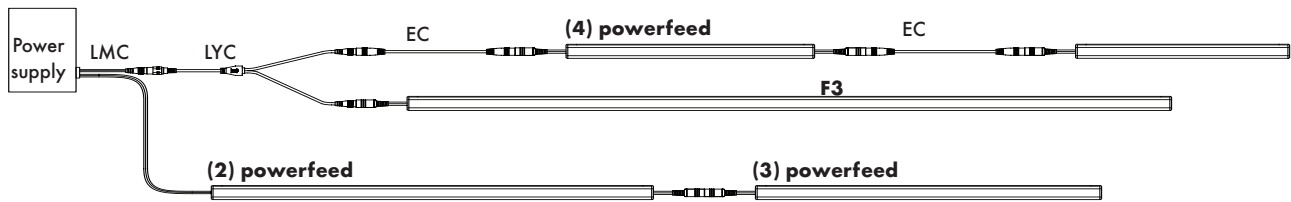
DIM-DC-F4-BK - 24VDC Low Voltage In-Line Dimmer Module



Note: a Male quick connector for input and output is required.

Note: a Male quick connector for input and output is required.

Sample layout



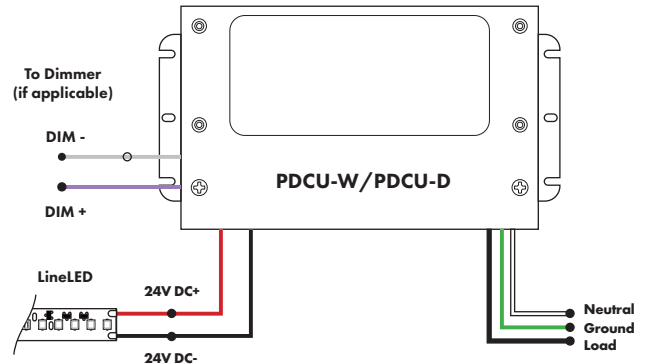
**Power Supply**

See fixture and power supply instructions & spec sheet for wiring information. Dimming possible in select models - view Luminii website for list of compatible dimmers.

**Universal Power Supply**

MODEL	POWER	OUTPUT
<b>PDCU-W</b>	<b>96</b>	<b>24</b>
PDCU-W - IP66 Wet Series	96 - 96 W 3X96 - 3X96 W	24 - 24 VDC
PDCU-D - IP20 Dry Series	30 - 30 W 60 - 60 W 96 - 96 W 3X96 - 3X96 W	

0-10V - 1% dimming  
MLV/ELV/TRIAC - 1% dimming, consult dimming compatibility chart  
Compatibility:  
View a complete list of compatible dimmers on product page ([Link](#))

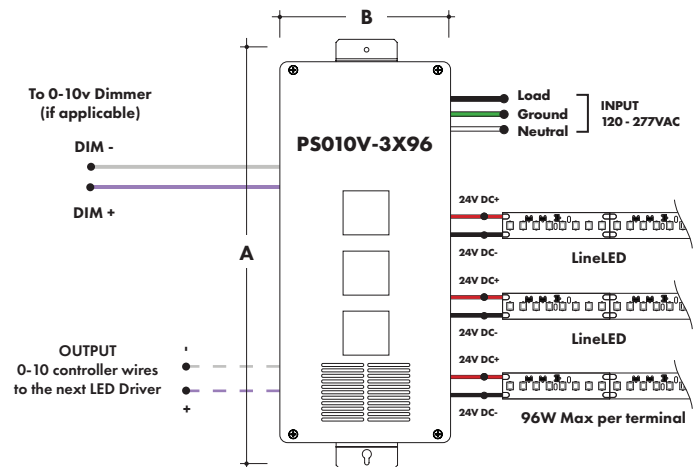
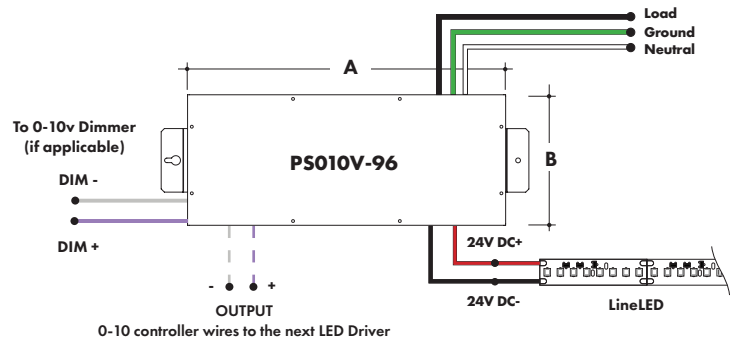


MODELS	PDCU-W 96W	PDCU-W 3X96W	PDCU-D 30W	PDCU-D 60W	PDCU-D 96W	PDCU-D 3X96W
<b>A Length</b>	8.66"	11.85"	6.10"	7.93"	8.25"	9.57"
<b>B Width</b>	3.73"	4.32"	3.35"	3.35"	4.10"	5.94"
<b>Depth</b>	1.61"	1.81"	1.33"	1.32"	1.56"	1.13"

**0-10V Dimming Power Supplies**

MODEL	POWER	OUTPUT	DIMMING
<b>PS010V</b>	<b>96</b>	<b>24</b>	<b>LIN</b>
PS010V - 0-10V Power Supply dims down to 0%	96 - 96 Watt 3X96 - 3 X 96 Watt	24 - 24 VDC	LIN - Linear LOG - Logarithmic

MODELS	96W	3X96
<b>A Length</b>	14.40"	15.75"
<b>B Width</b>	5.20"	6.62"
<b>Depth</b>	2.60"	4.95"



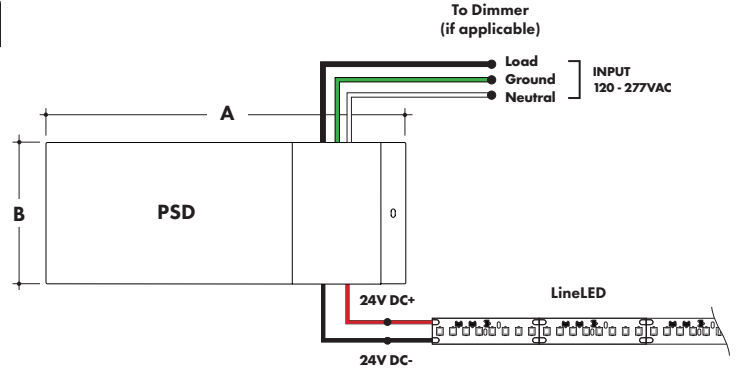
## Power Supply

See fixture and power supply instructions & spec sheet for wiring information. Dimming possible in select models - view Luminii website for list of compatible dimmers.

### Magnetic Low Voltage Dimming Power Supplies

MODEL	POWER	OUTPUT	INPUT
<b>PSD</b>	<b>48</b>	<b>24</b>	
PSD - PSD Series dims down to 0%	48 - 48 Watt 96 - 96 Watt 288 - 288 Watt (3 x 96Watt)	24 - 24 VDC	Blank - 120 V 240 - 240 V 277 - 277 V

MODELS	48W	96W	288W
<b>A Length</b>	11.25"	11.25"	13.06"
<b>B Width</b>	3.42"	3.42"	8.42"
<b>Depth</b>	3.42"	3.27"	4.47"

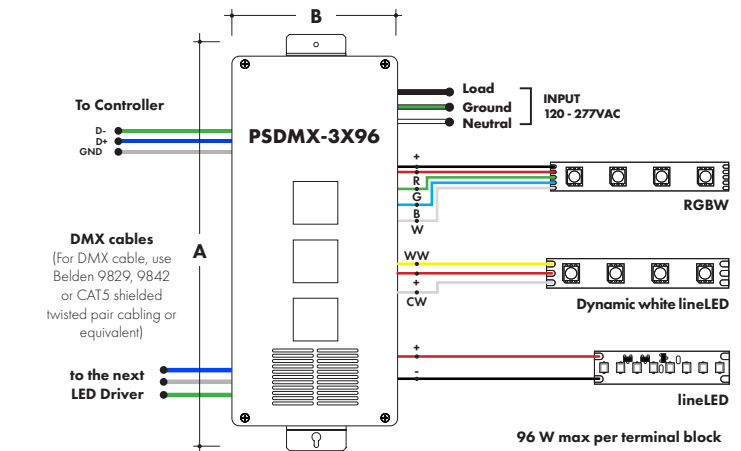
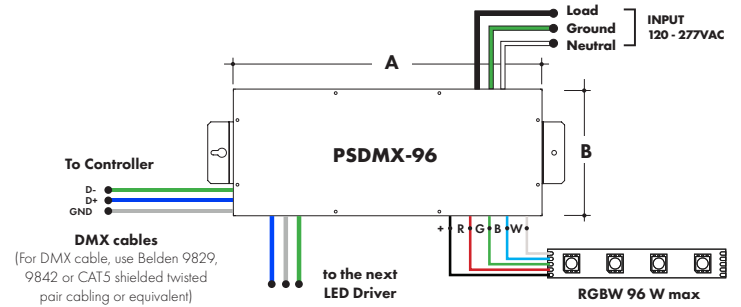


### DMX Dimming Power Supplies

MODEL	POWER	OUTPUT
<b>PSDMX</b>	<b>96</b>	<b>24</b>
PSDMX - DMX Power Supply	96 - 96 Watt 3X96 - 3 X 96 Watt	24 - 24 VDC

Features eldoLED's LINEARdrive configurable dimmable drivers

MODELS	96W	3X96
<b>A Length</b>	14.40"	15.75"
<b>B Width</b>	5.20"	6.62"
<b>Depth</b>	2.60"	4.95"



**Power Supply**

See fixture and power supply instructions & spec sheet for wiring information. Dimming possible in select models - view Luminii website for list of compatible dimmers.

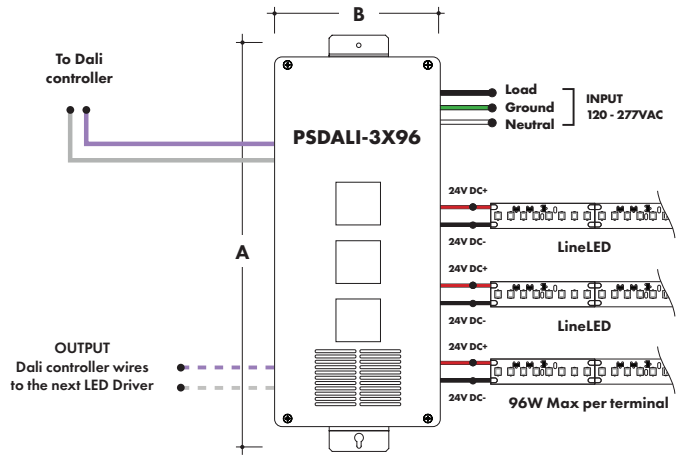
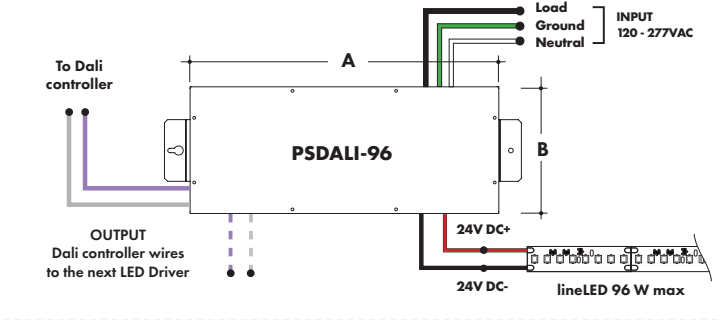
**DALI Dimming Power Supplies**

MODEL	POWER	OUTPUT
<b>PSDALI</b>	<b>96</b>	<b>24</b>

PSDALI - DALI Power Supply  
 dims down to 0%  
 96 - 96 Watt  
 3X96 - 3 X 96 Watt  
 24 - 24 VDC

Features eldoLED's LINEARdrive configurable dimmable drivers

MODELS	96W	3X96
<b>A Length</b>	14.40"	15.75"
<b>B Width</b>	5.20"	6.62"
<b>Depth</b>	2.60"	4.95"

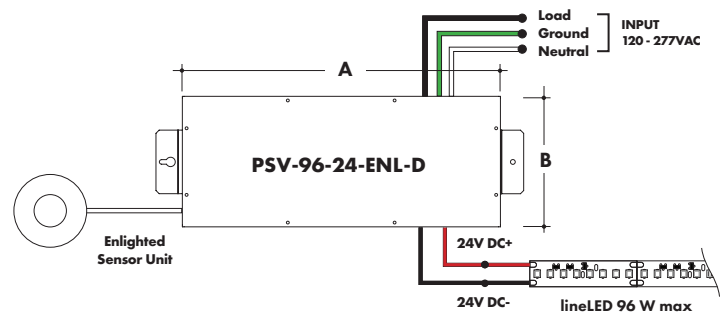


**Enlighted Enabled Dimming Power Supplies:**

MODEL	POWER	OUTPUT	DIMMING	LOCATION
<b>PSV</b>	<b>96</b>	<b>24</b>	<b>ENL</b>	<b>D</b>

PSV - PSV Series 96 - 96 Watt 24 - 24 VDC ENL - Enlighted Dimming D - Damp

MODELS	96W
<b>A Length</b>	14.40"
<b>B Width</b>	5.20"
<b>Depth</b>	2.60"

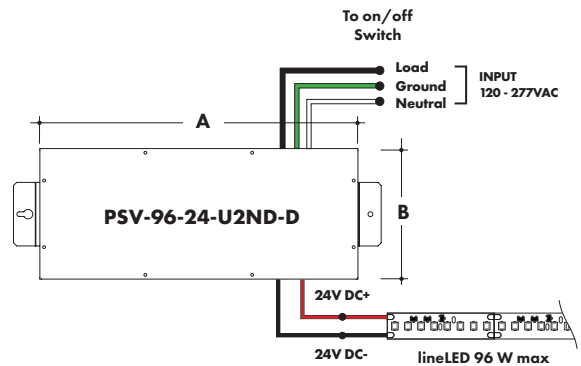


**Non-Dimming Power Supply**

MODEL	POWER	OUTPUT	DIMMING	LOCATION
<b>PSV</b>	<b>96</b>	<b>24</b>	<b>U2ND</b>	<b>D</b>

PSV - PSV Series 96 - 96 Watt 24 - 24 VDC U2ND - Non Dimming D - Damp

MODELS	96W
<b>A Length</b>	14.40"
<b>B Width</b>	5.20"
<b>Depth</b>	2.60"





**Power Supply**

See fixture and power supply instructions & spec sheet for wiring information. Dimming possible in select models - view Luminii website for list of compatible dimmers.



Luminii is a Lutron OEM Advantage Partner

MODEL

**LTEA4U1UKL-CV240**

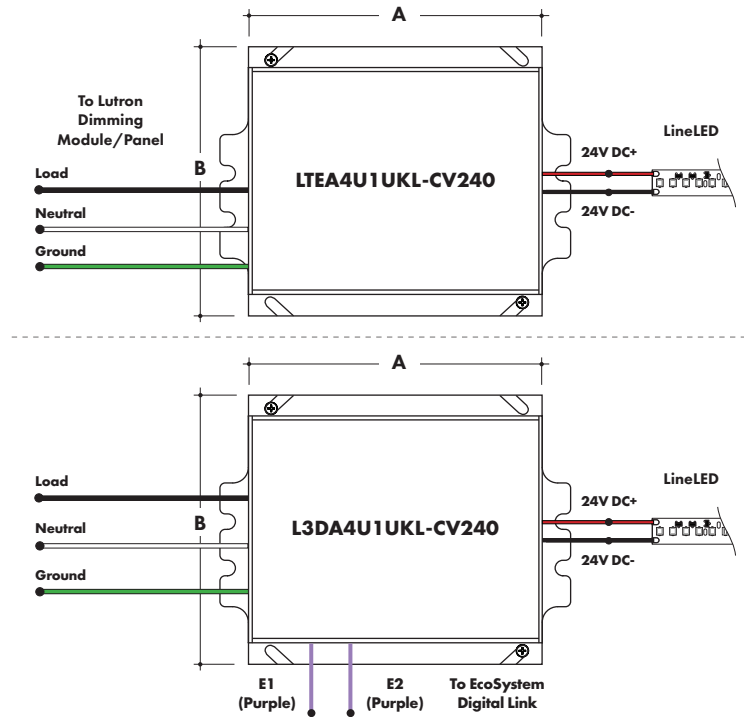
Lutron - HiLume™ 1% 2-wire LED Driver  
(120V forward phase only)

MODEL

**L3DA4U1UKL-CV240**

HiLume™ 1% EcoSystem Voltage LED driver

MODELS	LTEA4U1UKL-CV240	L3DA4U1UKL-CV240
<b>A Length</b>	4.89"	4.98"
<b>B Width</b>	4.00"	4.00"
<b>Depth</b>	2.62"	2.62"



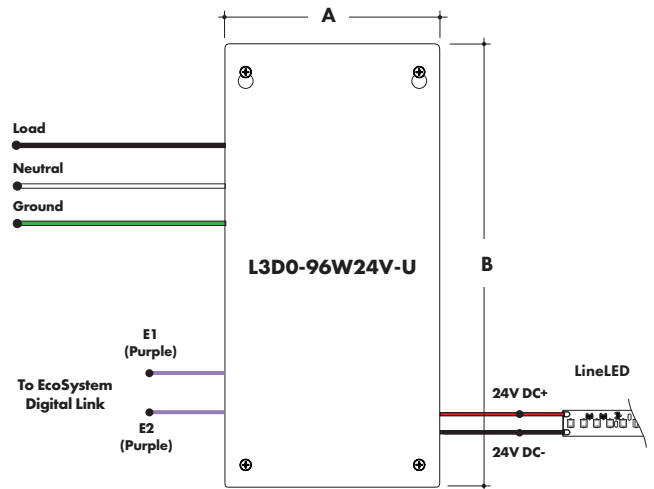
Luminii is a Lutron OEM Advantage Partner

MODEL

**L3D0-96W24V-U**

HiLume™ 0.1% EcoSystem Voltage LED Driver with Soft-On, Fade-to-Black™

MODELS	L3D0
<b>A Length</b>	10.50"
<b>B Width</b>	5.50"
<b>Depth</b>	2.00"



**Power Supply**

See fixture and power supply instructions & spec sheet for wiring information. Dimming possible in select models - view Luminii website for list of compatible dimmers.

**In ground, Electronic Low Voltage Dimming Power Supplies**

MODEL	POWER	OUTPUT	INPUT
<b>IG</b> - CVE	<b>96X2</b>	<b>24</b>	Blank - 120 V 277 - 240/277 V
IG - In ground CVE Series	96X2 - 2 X 96 Watt	24 - 24 VDC	
CVE - ELV Dimming DALI - eldoLED Dali dimming Both dims down to 0.1%			

MODELS	Dual Circuit
<b>A Length</b>	8.40"
<b>B Width</b>	8.30"
<b>Depth</b>	8.10"

