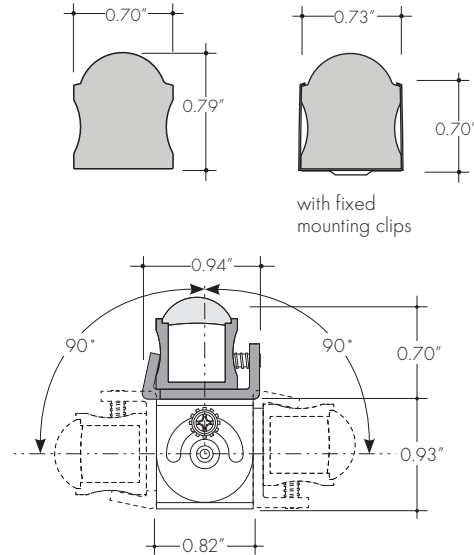
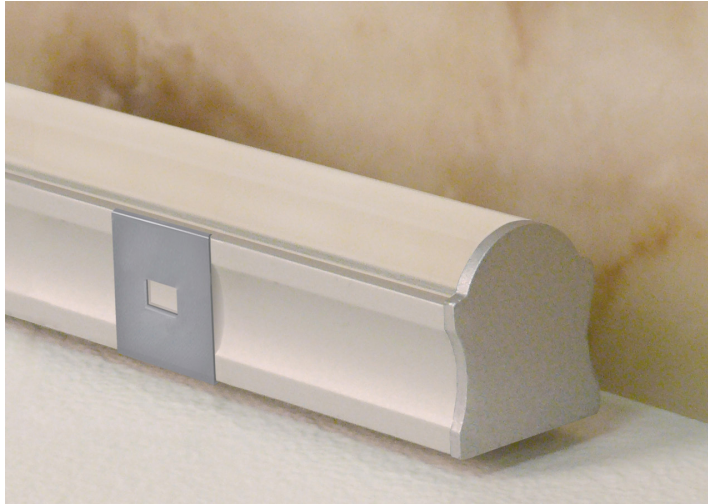


Extruded aluminum linear grazing system, Kendo M Wet Graze features a 11° lightly frosted lens. Available in sections up to 116" long, Kendo M Wet Graze is suitable for highlighting textured surfaces, stone walls or for edge lighting. Class 2 listed for wet location installations.



IP68

Made in USA

UL US LISTED

IC RATED

RoHS Compliant

SINGLE BIN +/-30 CCT

dimmi**able**

### Finish options



### Technical information

#### Output Options

Output type	HO (LL54)	VHO (LL72)
Lumens at 4000K	262 lum/ft	355 lum/ft
Average power consumption at 4'	5.2 W/ft	6.5 W/ft
Maximum system length <i>Achievable via feed through fixture wiring.</i>	26'	18'
Operating Voltage	24VDC	24VDC
Operating Environment Temperature	-30C to 50C	-30C to 50C

#### CCT INFO/LUMEN MULTIPLIER

Color temperature	Multiplier (reference - 4000K)	CRI	R <sub>f</sub>	R <sub>g</sub>
2700K	0.73	97	95	101
3000K	0.81	91	89	98
3500K	0.86	94	90	102
4000K	1.00	94	86	96

#### TM-30-15

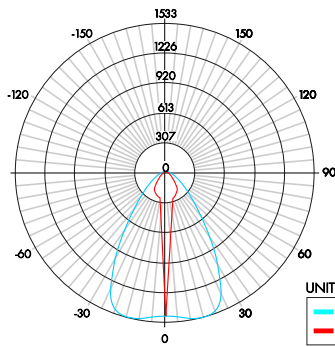
### Ordering code

MODEL	LENGTH	CCT	OUTPUT	LENS	MOUNTING	FINISH	POWER FEED
<b>KMWG</b>	<b>12</b>	<b>27K</b>	<b>HO</b>	<b>11</b>	<b>A</b>	<b>SA</b>	<b>F1</b>
KMWG - Kendo M Wet Graze	12"-116" 4" increments	27K - 2700K 30K - 3000K 35K - 3500K 40K - 4000K	HO - High VHO - Very High	11° - Semi-frosted	A - Adjustable F - Fixed	SA - Silver BK - Black BZ - Bronze WH - White	F1 - 72" wire leads F2 - 72" wire leads at one end and quick connect at other F3 - Single quick connect F4 - Dual quick connect

(BK, BZ, WH finishes will have an upcharge and require longer lead times)

Photometry

KMWG-48-40K-HO-II-XX



Zonal Lumen Summary 4000K

Zone	Lumen	% Fixture
0-30	445	43%
0-40	644	61%
0-60	905	86%
0-90	1016	97%
0-180	1019	100%

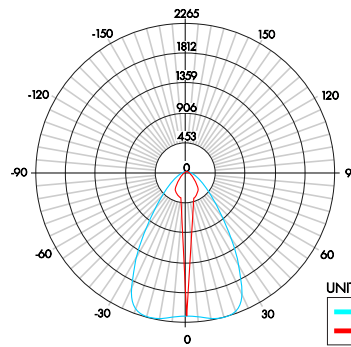
Total

Beam Angle



UNIT: CD  
 C0/180  
 C90/270

KMWG-48-40K-VHO-II-XX



Zonal Lumen Summary 4000K

Zone	Lumen	% Fixture
0-30	617	43%
0-40	874	62%
0-60	1204	85%
0-90	1365	97%
0-180	1419	100%

Total

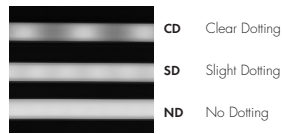
Beam Angle



UNIT: CD  
 C0/180  
 C90/270

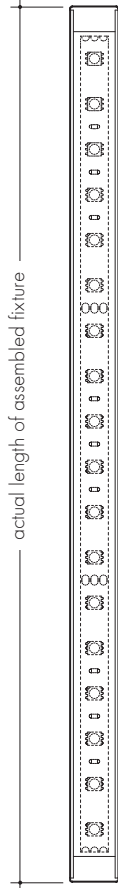
LED Dotting per extrusion

LED Dotting per output/lens	
Output Type	Lens Type
	13° Semi-Frosted
HO (LL54)	CD
VHO (LL72)	CD



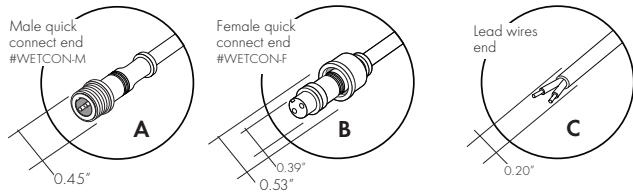
Power consumption per fixture length

Based on operation with PSD series of power supplies.



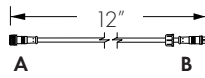
Nominal Length	Actual Length	HO		Actual Length	VHO	
		W/ft	Total wattage		W/ft	Total wattage
12"	12-11/16"	5.35	5.30	12-11/16"	6.75	6.75
16"	16-10/16"	5.33	7.06	16-9/16"	6.75	9.00
20"	20-10/16"	5.31	8.82	20-9/16"	6.75	11.25
24"	24-9/16"	5.30	10.60	24-8/16"	6.75	13.50
28"	28-7/16"	5.28	12.33	28-7/16"	6.75	16.75
32"	32-7/16"	5.26	14.06	32-6/16"	6.75	19.00
36"	36-6/16"	5.25	15.80	36-5/16"	6.65	19.95
40"	40-5/16"	5.23	17.40	41-4/16"	6.65	22.20
44"	44-4/16"	5.21	19.00	45-3/16"	6.65	24.40
48"	48-3/16"	5.20	20.60	49-2/16"	6.55	26.20
52"	53-7/16"	5.18	22.40	53-1/16"	6.55	28.50
56"	57-6/16"	5.16	24.20	57 "	6.55	30.50
60"	61-5/16"	5.15	26.00	60-15/16"	6.45	32.25
64"	65-4/16"	5.13	27.60	64-14/16"	6.45	34.40
68"	69-3/16"	5.11	29.20	68-13/16"	6.45	36.55
72"	73-2/16"	5.10	30.80	72-12/16"	6.40	38.40
76"	77-1/16"	5.08	32.40	76-11/16"	6.40	40.50
80"	81-1/16"	5.06	34.00	80-10/16"	6.40	43.00
84"	85 "	5.05	35.70	84-9/16"	6.25	43.75
88"	88-14/16"	5.03	37.10	88-8/16"	6.25	46.00
92"	92-13/16"	5.01	38.50	92-7/16"	6.25	48.00
96"	96-13/16"	5.00	40.00	97-6/16"	6.15	49.20
100"	100-12/16"	4.98	41.60	101-5/16"	6.15	51.25
104"	104-11/16"	4.96	43.20	105-3/16"	6.15	53.00
108"	108-10/16"	4.95	44.80	109-3/16"	6.00	54.00
112"	112-9/16"	4.93	46.20	113-2/16"	6.00	56.00
116"	116-8/16"	4.91	47.60	117-1/16"	6.00	58.00

### Connectors

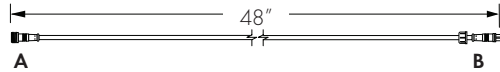


### Linking and Extension Cable

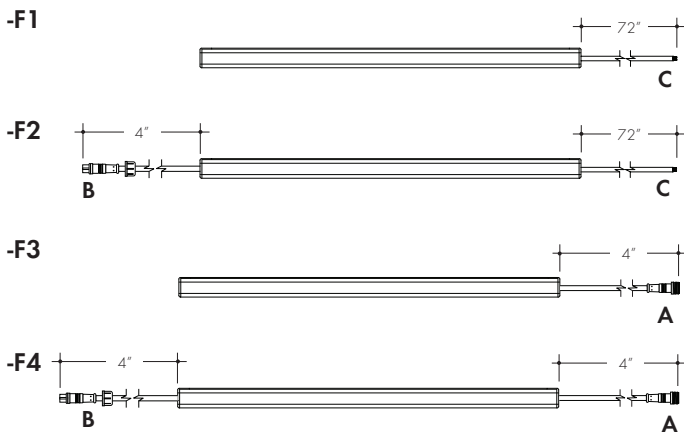
Male/female Joiner 12" - Part # IP67-12



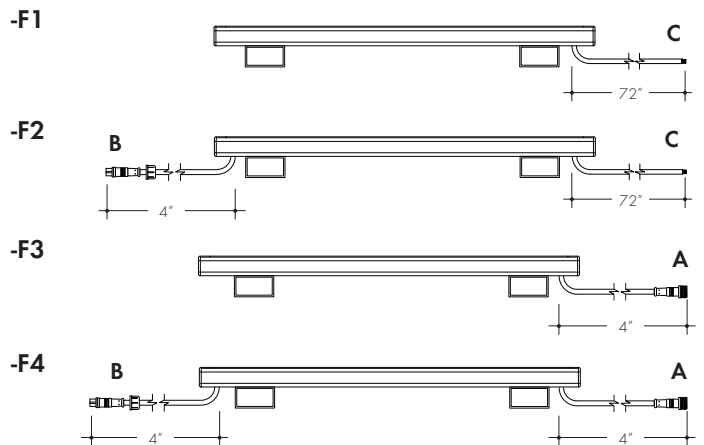
Male/female Joiner 48" - Part # IP67-48



#### Powerfeed options with fixed bracket



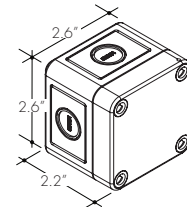
#### Powerfeed options with adjustable bracket



#### Accessories

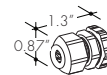
Splice Box:  
Wet rated, low voltage splice box, gray

Part # LVSP-WET

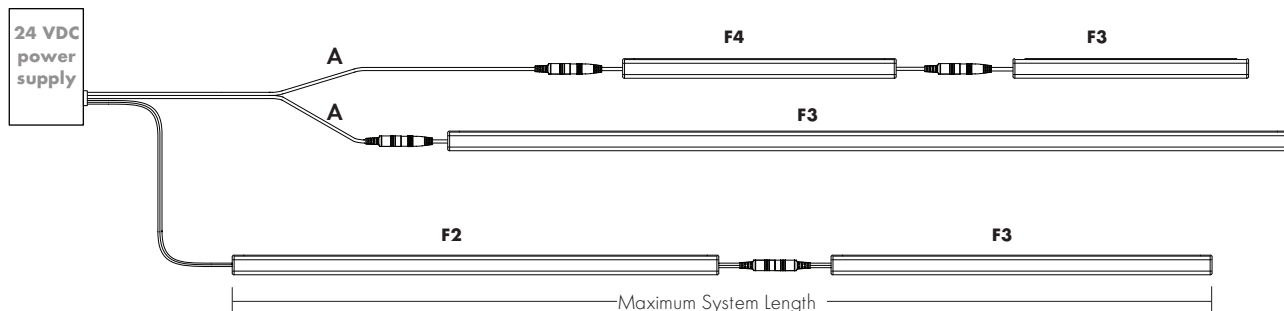


Connector:  
Low voltage splice box wet cable management gray

Part # LVSP-WET-CM



#### Sample layout of powerfeed connections

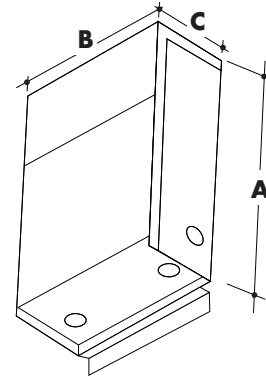


## Power supply

See fixture and power supply instructions & spec sheet for wiring information. Dimming possible in select models - view Luminii website for list of compatible dimmers.

### Magnetic Low Voltage Dimming Power Supplies:

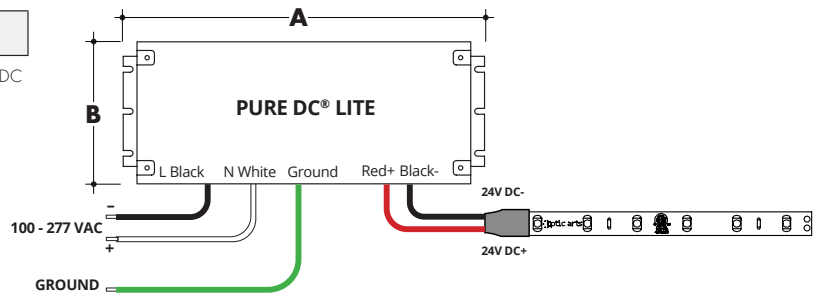
MODEL	POWER	OUTPUT	INPUT
<b>PSD</b>	<b>48</b>	<b>24</b>	
PSD - PSD Series dims down to 0%	48 - 48 Watt 96 - 96 Watt 288 - 288 Watt (3 x 96Watt)	24 - 24 VDC	Blank - 120 V 240 - 240 V 277 - 277 V



MODELS	PSD 48	PSD 96	PSD 288
<b>A Length</b>	11.25"	11.25"	13.06"
<b>B Width</b>	3.42"	3.42"	8.42"
<b>C Depth</b>	3.42"	3.27"	4.47"

### Electronic Low Voltage Dimming Power Supplies:

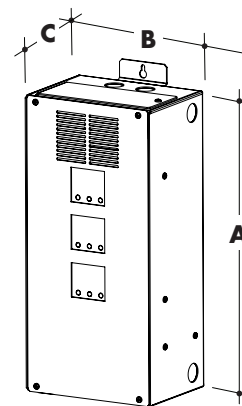
MODEL	POWER	OUTPUT
<b>PDCL</b>	<b>30</b>	<b>24</b>
PDCL - PURE DC LITE Dims to 1% on most MLV Dimmers NOTE: Must be loaded at least 10% of rated load to obtain optimal dimming.	30 - 30 Watt 60 - 60 Watt 96 - 96 Watt	24 - 24 VDC



MODELS	PSD 48	PSD 96	PSD 288
<b>A Length</b>	1.03"	1.03"	1.03"
<b>B Width</b>	6.50"	7.40"	8.66"
<b>Depth</b>	3.62"	3.62"	3.66"

### 0-10V Dimming Power Supplies

MODEL	POWER	OUTPUT	DIMMING
<b>PS010V</b>	<b>3X96</b>	<b>24</b>	<b>LIN</b>
PS010V - 0-10V Power Supply dims down to 0%	96 - 96 Watt 3X96 - 3 X 96 Watt	24 - 24 VDC	LIN - Linear LOG - Logarithmic



MODELS	96W	3X96
<b>A Length</b>	14.40"	15.75"
<b>B Width</b>	5.20"	6.60"
<b>C Depth</b>	2.60"	4.80"

Power supply

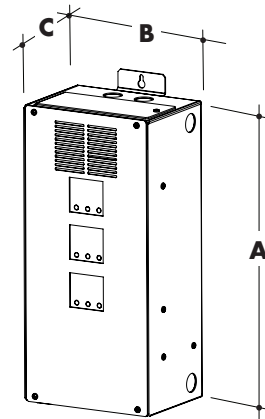
See fixture and power supply instructions & spec sheet for wiring information. Dimming possible in select models - view Luminii website for list of compatible dimmers.

DMX Dimming Power Supplies

MODEL	POWER	OUTPUT
<b>PSDMX</b>	<b>96</b>	<b>24</b>
PSD - DMX Power Supply	96 - 96 Watt 3X96 - 3 X 96 Watt	24 - 24 VDC

Features eldoLED's LINEARdrive configurable dimmable drivers

MODELS	96	3X96
<b>A Length</b>	14.40"	15.75"
<b>B Width</b>	5.20"	6.60"
<b>C Depth</b>	2.60"	4.80"

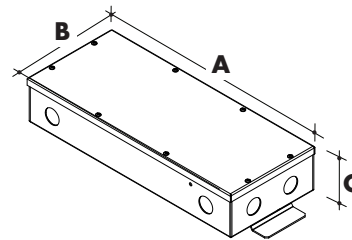


DALI Dimming Power Supplies

MODEL	POWER	OUTPUT
<b>PSDALI</b>	<b>96</b>	<b>24</b>
PSDALI - DALI Power Supply dims down to 0%	96 - 96 Watt 3X96 - 3 X 96 Watt	24 - 24 VDC

Features eldoLED's LINEARdrive configurable dimmable drivers

MODELS	96 W
<b>A Length</b>	14.40"
<b>B Width</b>	5.20"
<b>C Depth</b>	2.60"

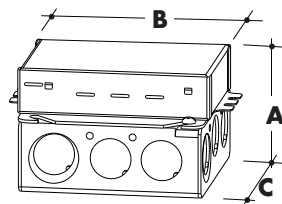


Luminii is a Lutron OEM Advantage Partner

MODEL
<b>LTEA4U1UKL-CV240</b>
Lutron - HiLume™ 1% 2-wire LED driver (120V forward phase only)

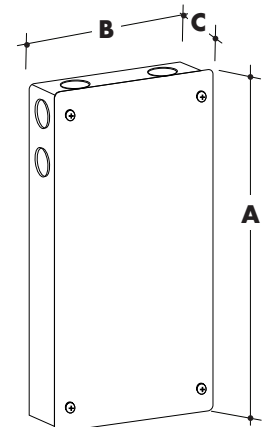
MODELS	LTEA	L3DA
<b>A Length</b>	4.89"	4.98"
<b>B Width</b>	2.66"	2.66"
<b>C Depth</b>	4.00"	4.00"

MODEL
<b>L3DA4U1UKL-CV240</b>
HiLume™ 1% EcoSystem Voltage LED driver



MODEL
<b>L3D0-96W24V-U</b>
HiLume™ 0.1% EcoSystem Voltage LED Driver with Soft-On, Fade-to-Black™

MODELS	L3D0
<b>A Length</b>	10.50"
<b>B Width</b>	5.50"
<b>C Depth</b>	2.00"



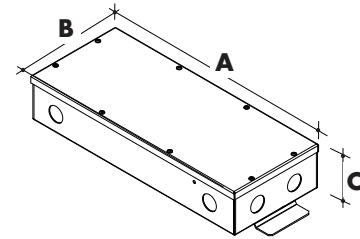
Power supply

See fixture and power supply instructions & spec sheet for wiring information. Dimming possible in select models - view Luminii website for list of compatible dimmers.

Enlighted Enabled Dimming Power Supplies:

MODEL	POWER	OUTPUT	DIMMING	LOCATION
<b>PSV</b>	<b>96</b>	<b>24</b>	<b>ENL</b>	<b>D</b>
PSV - PSV Series	96 - 96 Watt	24 - 24 VDC	ENL - Enlighted Dimming	D - Damp

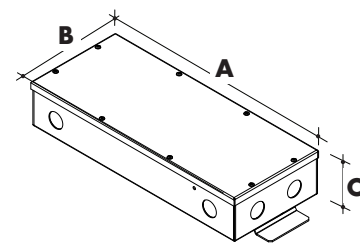
MODELS	96 W
<b>A Length</b>	14.40"
<b>B Width</b>	5.20"
<b>C Depth</b>	2.60"



Non-Dimming Power Supplies:

MODEL	POWER	OUTPUT	DIMMING	LOCATION
<b>PSV</b>	<b>96</b>	<b>24</b>	<b>U2ND</b>	<b>D</b>
PSV - PSV Series	96 - 96 Watt	24 - 24 VDC	U2ND - Non Dimming	D - Dry Location

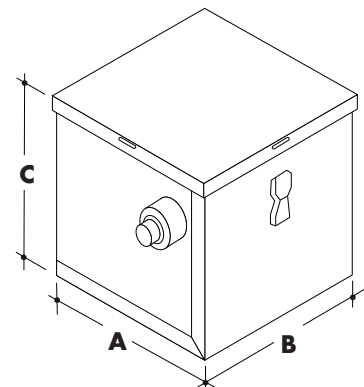
MODELS	96W
<b>A Length</b>	14.40"
<b>B Width</b>	5.20"
<b>C Depth</b>	2.60"



In ground, Electronic Low Voltage Dimming Power Supplies:

MODEL	POWER	OUTPUT	INPUT
<b>IG-CVE</b>	<b>96X2</b>	<b>24</b>	<b>Blank</b>
IG-CVE - In ground CVE Series dims down to 0.1%	96X2 - 2 X 96 Watt	24 - 24 VDC	Blank - 120 V 277 - 240/277 V

MODELS	Dual circuit
<b>A Length</b>	8.00"
<b>B Width</b>	8.00"
<b>C Depth</b>	8.00"



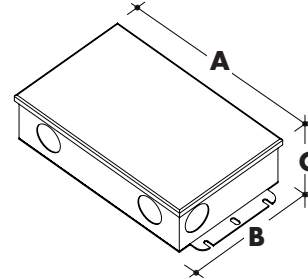
Power supply

See fixture and power supply instructions & spec sheet for wiring information. Dimming possible in select models - view Luminii website for list of compatible dimmers.

Universal Power Supply

MODEL	POWER	OUTPUT
<b>PDCU</b>	<b>30</b>	<b>24</b>
PDCU - PDCU Series	30 - 30 Watt 60 - 60 Watt 96 - 96 Watt 3x96 - 3x96 Watt	24 - 24 VDC

Compatible with Triac, MLV, ELV, 0-10V, & PWM Dimmers



MODELS	30W	60W	96W	3X96
<b>A Length</b>	6.50"	7.40"	8.66"	11.83"
<b>B Width</b>	3.73"	3.73"	3.73"	4.32"
<b>C Depth</b>	1.61"	1.61"	1.61"	1.81"