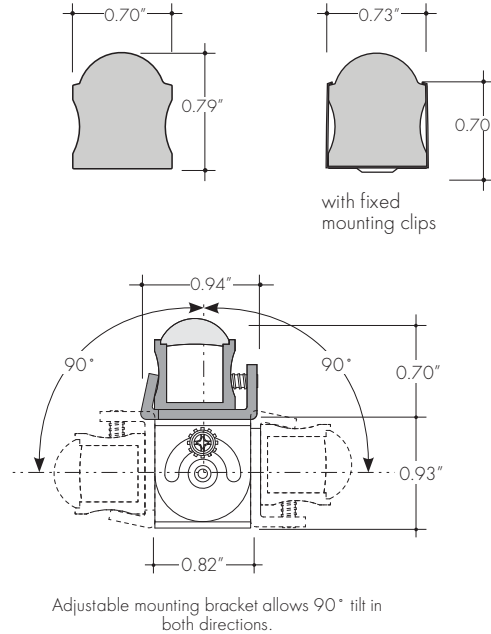


Extruded aluminum linear grazing system, Kendo M Graze HE features a 11° lightly frosted lens. Available in sections up to 116" long, Kendo M Graze HE is suitable for highlighting textured surfaces, stone walls or for edge lighting. Class 2 listed for damp location installations. Approved for closet/storage space installation per NFPA 70, article 410.16. 5 year warranty.



IC RATED

ROHS



Finish Options



Black powder coated



Bronze powder coated



Silver anodized



White powder coated

Technical Information

OUTPUT OPTIONS

Output	Lumens at 3000K (with clear lens)	Average power consumption at 4'	Lumens / Watt (with clear lens)	Maximum system length In series
LO (LL48HE-LO)	186 lm/ft	2.0 W/ft	93 lm/W	55'
SO (LL48HE-SO)	264 lm/ft	2.8 W/ft	94 lm/W	38'
MO (LL48HE-MO)	354 lm/ft	3.7 W/ft	96 lm/W	27'
HO (LL48HE-HO)	568 lm/ft	5.9 W/ft	96 lm/W	17'

CCT INFO/LUMEN MULTIPLIER

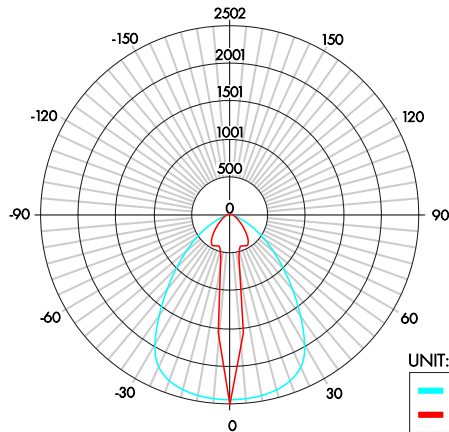
Color temperature	Multiplier (referenced from 3000K)	TM-30-15		
		CRI	R _f	R _g
2700K	0.94	92	90	99
3000K	1.00	92	89	99
3500K	1.02	92	89	99
4000K	1.02	92	86	94

Ordering Code

MODEL	LENGTH	CCT	OUTPUT	LENS	MOUNTING	FINISH	POWER FEED	
KMG - Kendo M Graze	HE - High Efficacy	12 - 116" 4" increments	27K - 2700K 30K - 3000K 35K - 3500K 40K - 4000K	LO - Low SO - Standard MO - Medium HO - High	11° - Semi-Frosted	A - Adjustable F - Fixed	SA - Silver BK - Black BZ - Bronze WH - White (BK, BZ, WH finishes will have an upcharge and require longer lead times)	F1 - 72" wire leads F1X2 - 72" wire leads at both ends F2 - 72" wire leads at one end and quick connect at other F3 - Single quick connect F4 - Dual quick connect

Photometry

KMG-HE-48-30K-HO-11-XX

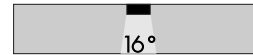


Zonal Lumen Summary 3000K

Zone	Lumen	% Fixture
0-30	893	39%
0-40	1300	57%
0-60	1899	84%
0-90	2189	96%
0-180	2271	100%

Total

Beam Angle

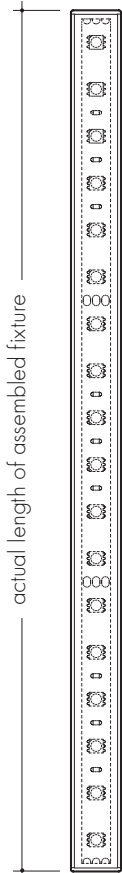


UNIT: CD

—	C0/180
—	C90/270

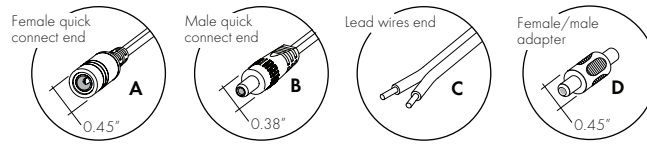
Power consumption per fixture length

Based on operation with PSD series of power supplies.



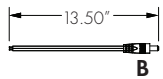
Length		LO		SO		MO		HO	
Nominal	Actual	W/ft	Total wattage	W/ft	Total wattage	W/ft	Total wattage	W/ft	Total wattage
12"	12-11/16"	2.00	2.00	2.79	2.79	3.70	3.70	5.90	5.90
16"	16-10/16"	2.00	2.67	2.79	3.72	3.70	4.90	5.90	7.88
20"	20-9/16"	2.00	3.33	2.79	4.65	3.70	6.10	5.90	9.86
24"	24-8/16"	2.00	4.00	2.79	5.58	3.70	7.40	5.90	11.84
28"	28-7/16"	2.00	4.67	2.79	6.51	3.70	8.63	5.91	13.81
32"	32-6/16"	2.00	5.34	2.79	7.44	3.70	9.83	5.91	15.78
36"	36-5/16"	2.00	6.00	2.79	8.37	3.70	11.10	5.91	17.75
40"	40-4/16"	2.00	6.66	2.79	9.30	3.70	12.33	5.92	19.74
44"	44-3/16"	2.00	13.33	2.79	10.23	3.70	13.56	5.92	21.73
48"	48-2/16"	2.00	8.00	2.79	11.16	3.70	14.80	5.92	23.72
52"	52-1/16"	2.00	8.67	2.79	12.09	3.70	16.03	5.92	25.70
56"	56 "	2.00	9.34	2.79	13.02	3.70	17.26	5.92	27.68
60"	59-15/16"	2.00	10.00	2.79	13.95	3.70	18.50	5.92	29.66
64"	65-13/16"	2.00	10.67	2.79	15.82	3.70	19.73	5.93	31.64
68"	69-12/16"	2.00	11.34	2.79	17.69	3.70	20.96	5.93	33.62
72"	73-11/16"	2.00	12.00	2.79	19.56	3.70	22.20	5.93	35.60
76"	77-10/16"	2.00	12.67	2.79	20.48	3.70	23.43	5.91	37.53
80"	81-10/16"	2.00	13.37	2.79	21.40	3.70	24.66	5.91	39.46
84"	85-8/16"	2.00	14.00	2.79	22.32	3.70	25.90	5.91	41.40
88"	89-7/16"	2.00	14.67	2.79	23.25	3.70	27.13	5.92	43.40
92"	93-6/16"	2.00	15.37	2.79	24.18	3.70	28.36	5.92	45.40
96"	97-5/16"	2.00	16.00	2.79	25.10	3.70	29.60	5.92	47.45
100"	101-5/16"	2.00	16.67	2.79	26.03	3.70	30.93	5.94	49.45
104"	105-3/16"	2.00	17.37	2.79	26.96	3.70	32.26	5.94	54.45
108"	109-2/16"	2.00	18.00	2.79	27.90	3.73	33.60	5.94	53.50
112"	113-1/16"	2.00	18.67	2.79	28.85	3.73	34.93	5.99	55.30
116"	117 "	2.00	19.37	2.79	29.80	3.73	36.26	5.99	57.10

Connectors & Accessories

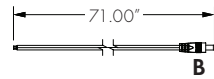


Linking and extension cable options

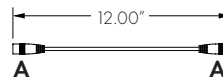
Male quick-connect
Part # LMC



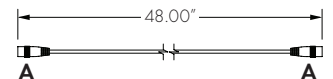
Male quick-connect long
Part # LMC-70



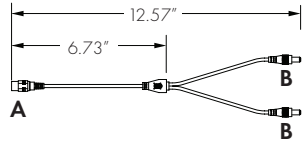
12" extension cable
Part # EC-12



48" extension cable
Part # EC-48



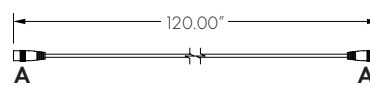
Y-splitter
Part # LYC



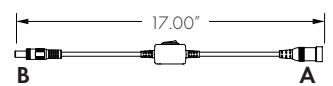
Female/male adaptor
Part # FMA



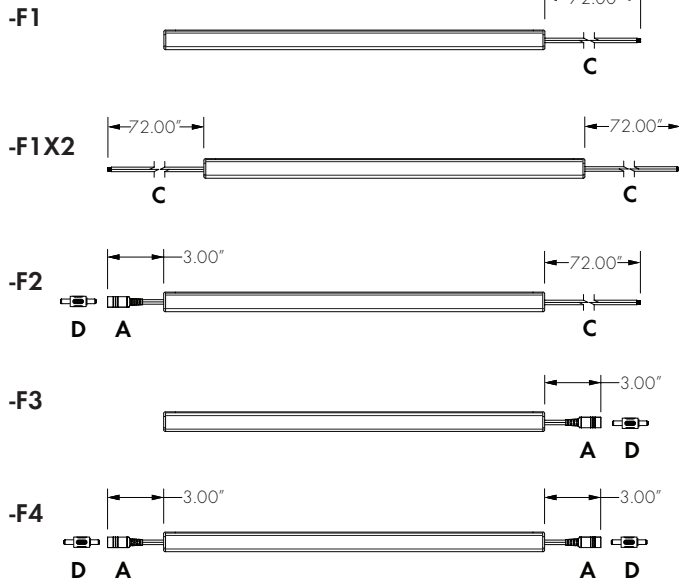
120" extension cable
Part # EC-120



Inline DC switch
Part # IS-DC

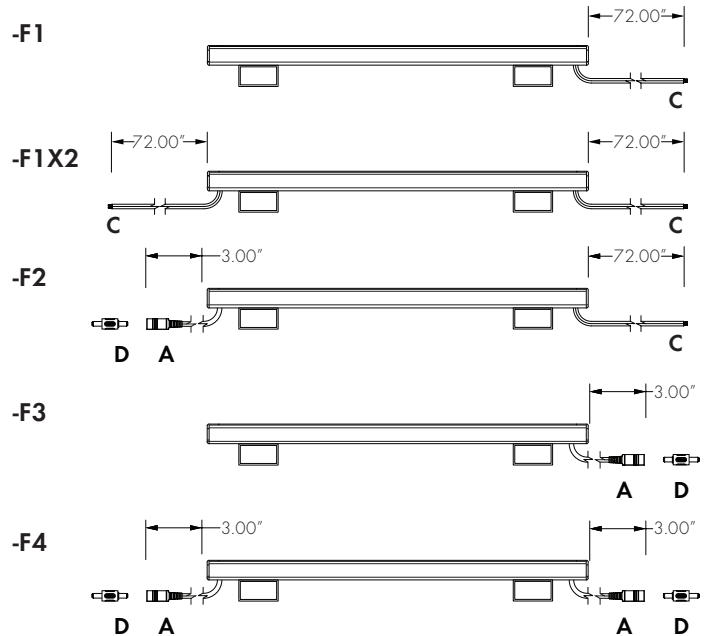


Powerfeed options



-F3, & F4 powerfeed options require #LMC to connect to PSD series of power supplies.

Powerfeed options with adjustable bracket

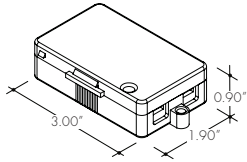


Accessory options

Splice Box

LVSP-4T-BK

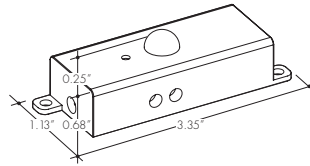
Low voltage, 4 terminal splice box, black



PIR Infrared Occupancy Sensor

OS-DC-F4-BK

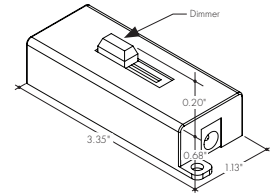
OS-DC-F4-BK - Occupancy Sensor



24VDC Low Voltage In-Line Dimmer Module

DIM-DC-F4-BK

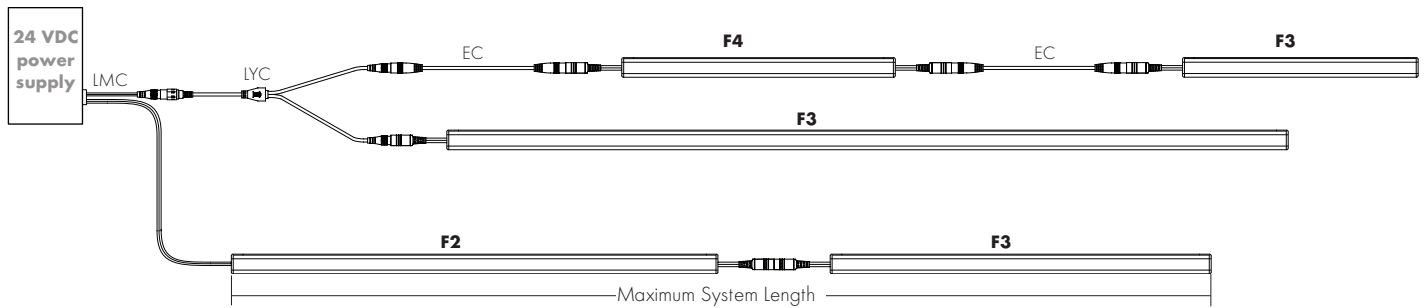
DIM-DC-F4-BK - 24VDC Low Voltage In-Line Dimmer Module



Note: a Male quick connector for input and output is required.

Note: a Male quick connector for input and output is required.

Sample layout



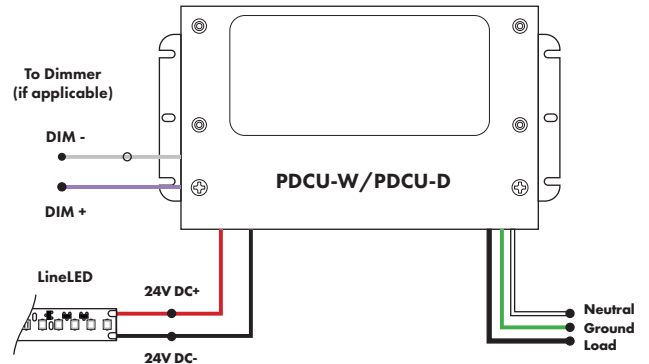
Power Supply

See fixture and power supply instructions & spec sheet for wiring information. Dimming possible in select models - view Luminii website for list of compatible dimmers.

Universal Power Supply

MODEL	POWER	OUTPUT
PDCU-W	96	24
PDCU-W - IP66 Wet Series	96 - 96 W 3X96 - 3X96 W	24 - 24 VDC
PDCU-D - IP20 Dry Series	30 - 30 W 60 - 60 W 96 - 96 W 3X96 - 3X96 W	

0-10V - 1% dimming
MLV/ELV/TRIAC - 1% dimming, consult dimming compatibility chart
Compatibility:
View a complete list of compatible dimmers on product page ([Link](#))

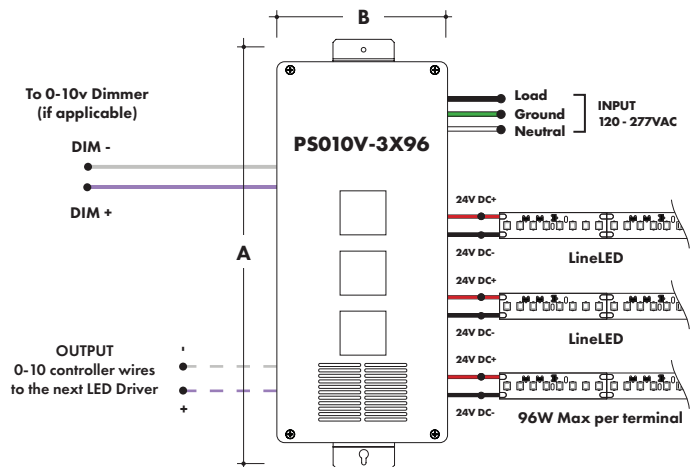
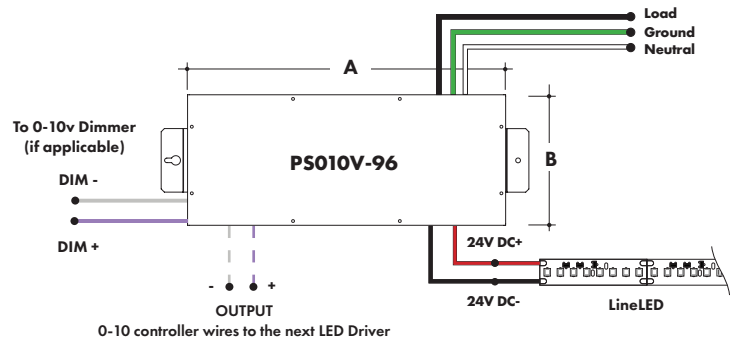


MODELS	PDCU-W 96W	PDCU-W 3X96W	PDCU-D 30W	PDCU-D 60W	PDCU-D 96W	PDCU-D 3X96W
A Length	8.66"	11.85"	6.10"	7.93"	8.25"	9.57"
B Width	3.73"	4.32"	3.35"	3.35"	4.10"	5.94"
Depth	1.61"	1.81"	1.33"	1.32"	1.56"	1.13"

0-10V Dimming Power Supplies

MODEL	POWER	OUTPUT	DIMMING
PS010V	96	24	LIN
PS010V - 0-10V Power Supply dims down to 0%	96 - 96 Watt 3X96 - 3 X 96 Watt	24 - 24 VDC	LIN - Linear LOG - Logarithmic

MODELS	96W	3X96
A Length	14.40"	15.75"
B Width	5.20"	6.62"
Depth	2.60"	4.95"



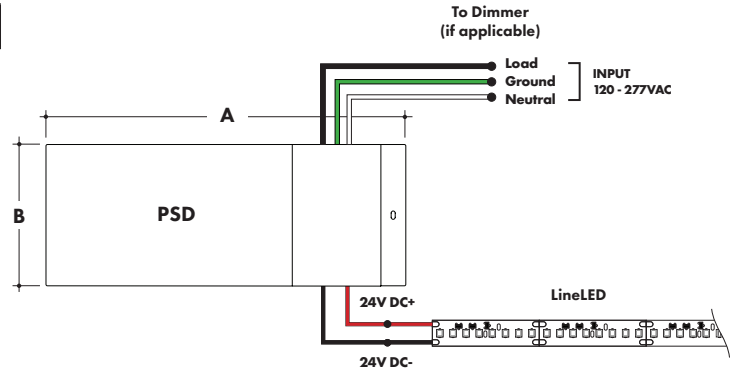
Power Supply

See fixture and power supply instructions & spec sheet for wiring information. Dimming possible in select models - view Luminii website for list of compatible dimmers.

Magnetic Low Voltage Dimming Power Supplies

MODEL	POWER	OUTPUT	INPUT
PSD	48	24	
PSD - PSD Series dims down to 0%	48 - 48 Watt 96 - 96 Watt 288 - 288 Watt (3 x 96Watt)	24 - 24 VDC	Blank - 120 V 240 - 240 V 277 - 277 V

MODELS	48W	96W	288W
A Length	11.25"	11.25"	13.06"
B Width	3.42"	3.42"	8.42"
Depth	3.42"	3.27"	4.47"

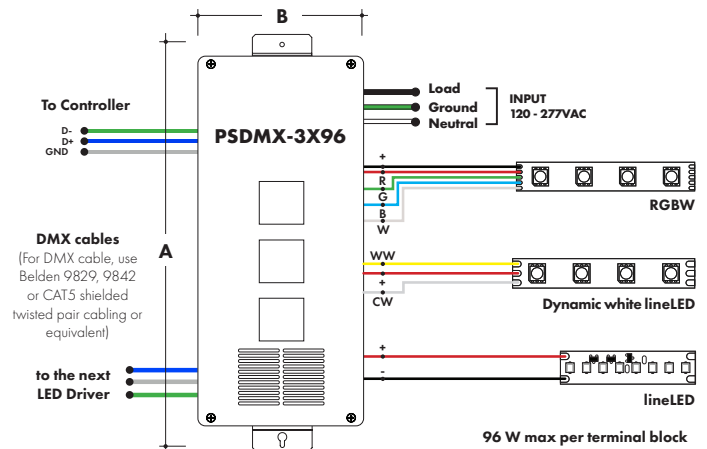
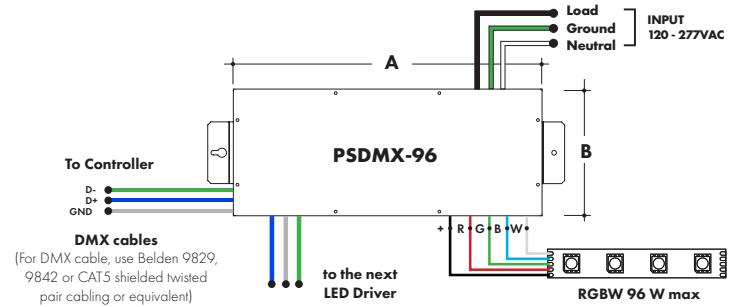


DMX Dimming Power Supplies

MODEL	POWER	OUTPUT
PSDMX	96	24
PSDMX - DMX Power Supply	96 - 96 Watt 3X96 - 3 X 96 Watt	24 - 24 VDC

Features eldoLED's LINEARdrive configurable dimmable drivers

MODELS	96W	3X96
A Length	14.40"	15.75"
B Width	5.20"	6.62"
Depth	2.60"	4.95"



Power Supply

See fixture and power supply instructions & spec sheet for wiring information. Dimming possible in select models - view Luminii website for list of compatible dimmers.

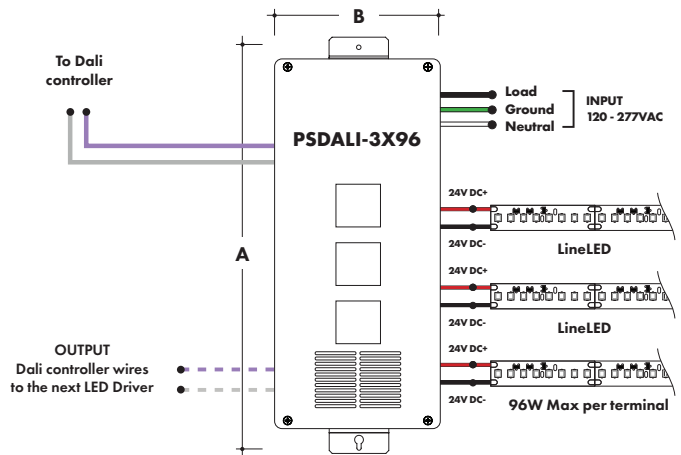
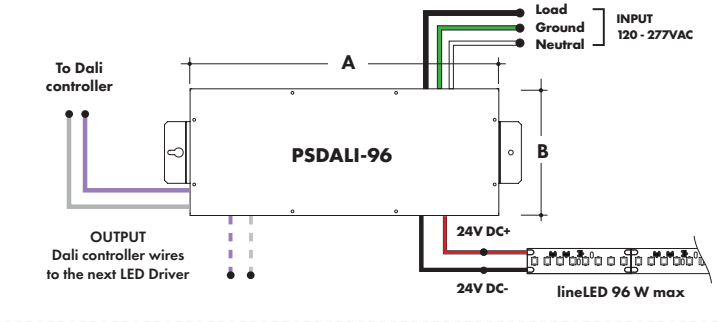
DALI Dimming Power Supplies

MODEL	POWER	OUTPUT
PSDALI	96	24

PSDALI - DALI Power Supply
dims down to 0%
96 - 96 Watt
3X96 - 3 X 96 Watt
24 - 24 VDC

Features eldoLED's LINEARdrive configurable dimmable drivers

MODELS	96W	3X96
A Length	14.40"	15.75"
B Width	5.20"	6.62"
Depth	2.60"	4.95"

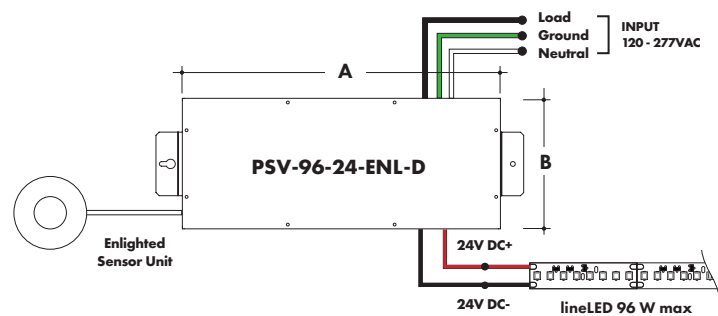


Enlighted Enabled Dimming Power Supplies:

MODEL	POWER	OUTPUT	DIMMING	LOCATION
PSV	96	24	ENL	D

PSV - PSV Series 96 - 96 Watt 24 - 24 VDC ENL - Enlighted Dimming D - Damp

MODELS	96W
A Length	14.40"
B Width	5.20"
Depth	2.60"

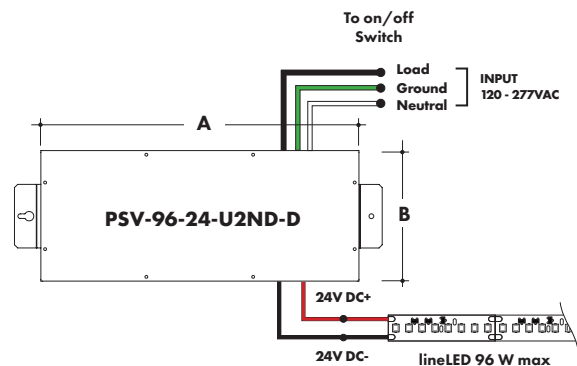


Non-Dimming Power Supply

MODEL	POWER	OUTPUT	DIMMING	LOCATION
PSV	96	24	U2ND	D

PSV - PSV Series 96 - 96 Watt 24 - 24 VDC U2ND - Non Dimming D - Damp

MODELS	96W
A Length	14.40"
B Width	5.20"
Depth	2.60"



Power Supply

See fixture and power supply instructions & spec sheet for wiring information. Dimming possible in select models - view Luminii website for list of compatible dimmers.



Luminii is a Lutron OEM Advantage Partner

MODEL

LTEA4U1UKL-CV240

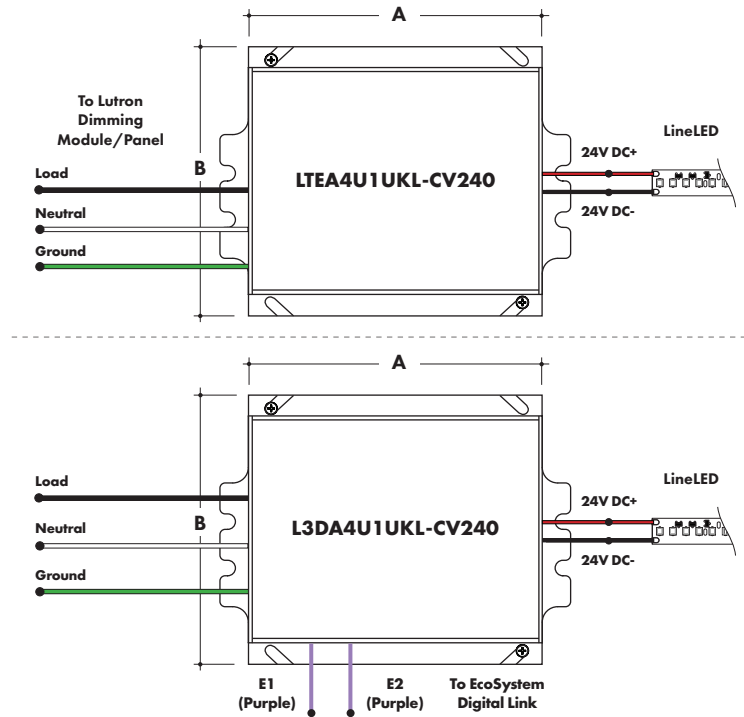
Lutron - HiLume™ 1% 2-wire LED Driver
(120V forward phase only)

MODEL

L3DA4U1UKL-CV240

HiLume™ 1% EcoSystem Voltage LED driver

MODELS	LTEA4U1UKL-CV240	L3DA4U1UKL-CV240
A Length	4.89"	4.98"
B Width	4.00"	4.00"
Depth	2.62"	2.62"



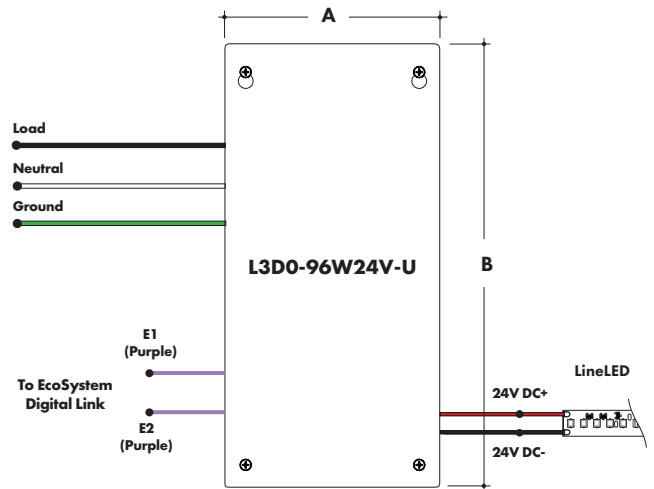
Luminii is a Lutron OEM Advantage Partner

MODEL

L3D0-96W24V-U

HiLume™ 0.1% EcoSystem Voltage LED Driver with Soft-On, Fade-to-Black™

MODELS	L3D0
A Length	10.50"
B Width	5.50"
Depth	2.00"



Power Supply

See fixture and power supply instructions & spec sheet for wiring information. Dimming possible in select models - view Luminii website for list of compatible dimmers.

In ground, Electronic Low Voltage Dimming Power Supplies

MODEL	POWER	OUTPUT	INPUT
IG - CVE	96X2	24	Blank - 120 V 277 - 240/277 V
IG - In ground CVE Series	96X2 - 2 X 96 Watt	24 - 24 VDC	
CVE - ELV Dimming DALI - eldoLED Dali dimming			
Both dims down to 0.1%			

MODELS	Dual Circuit
A Length	8.40"
B Width	8.30"
Depth	8.10"

