

Kendo M Graze - Installation Instructions

Models KMG-

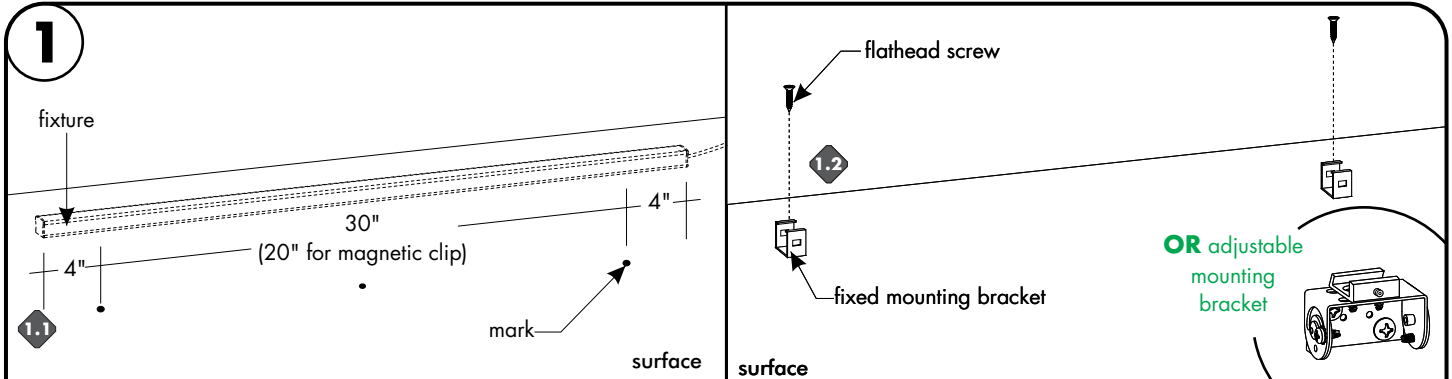


luminii

7777 Merrimac Ave
Niles, IL 60714
T 224.333.6033
F 224.757.7557
info@luminii.com
www.luminii.com

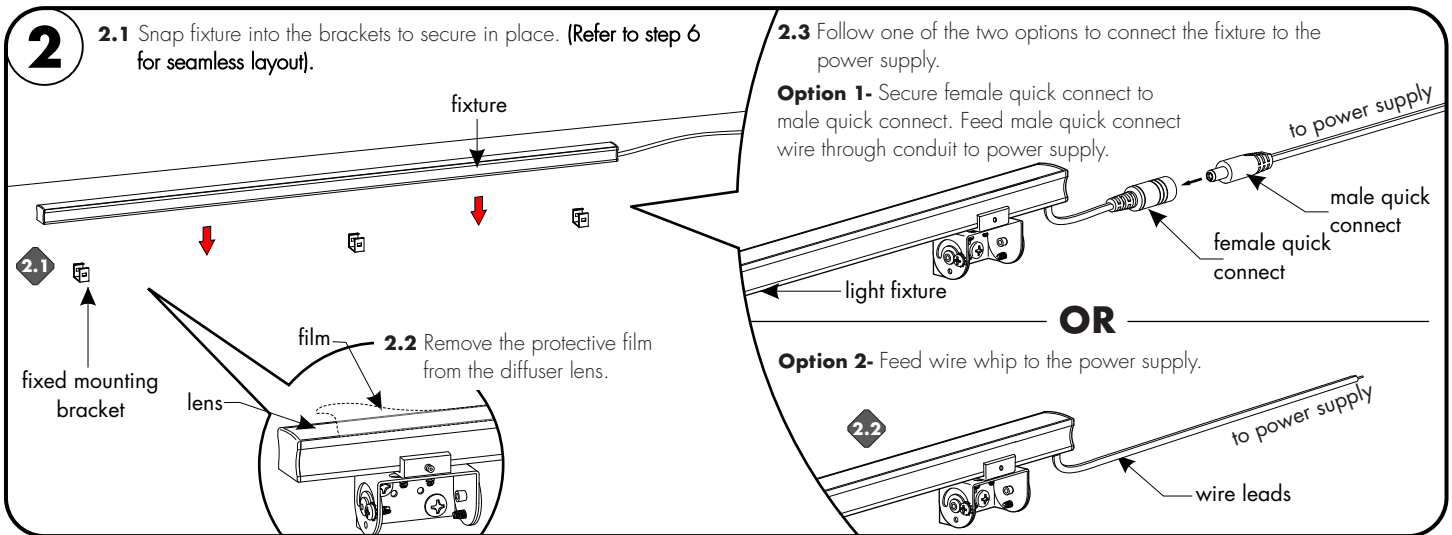
Please read all instructions prior to installation and keep for future reference!

- | | |
|--|--|
| 1. PRODUCT TO BE INSTALLED BY A QUALIFIED ELECTRICIAN. | 5. SURFACE MOUNT ONLY |
| 2. USE ONLY WITH CLASS 2 POWER UNIT | 6. SUITABLE FOR INSTALLATION WITHIN THE CLOSET STORAGE SPACE |
| 3. 24 VOLTS DC | 7. TYPE IC |
| 4. SUITABLE FOR DAMP LOCATIONS | 8. INHERENTLY PROTECTED |



1.1 Determine the location of where the fixture(s) will be installed. Lay the fixture(s) on the surface, and make reference marks for the mounting brackets. Make marks 4" from each end of the fixture(s) and also every 30" (20" if using magnetic mounting clips) in between. (Refer to step 6 for seamless layout, must be ordered as seamless version to work properly).

1.2 Lay the fixed or adjustable mounting bracket (depends on model ordered) onto the mark points and secure using the provided hardware.

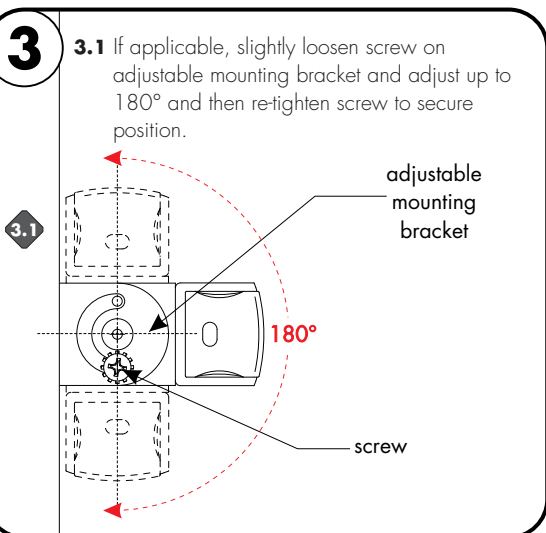


2.1 Snap fixture into the brackets to secure in place. (Refer to step 6 for seamless layout).

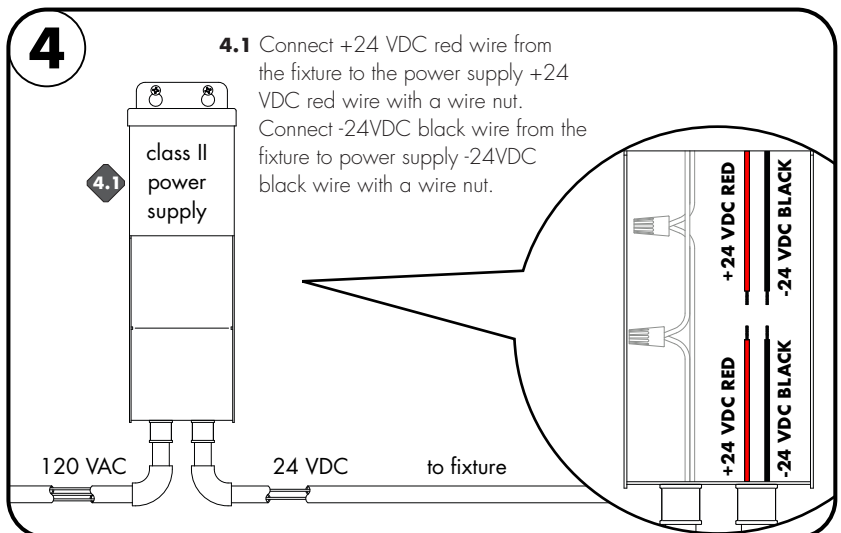
2.3 Follow one of the two options to connect the fixture to the power supply.

Option 1- Secure female quick connect to male quick connect. Feed male quick connect wire through conduit to power supply.

Option 2- Feed wire whip to the power supply.



3.1 If applicable, slightly loosen screw on adjustable mounting bracket and adjust up to 180° and then re-tighten screw to secure position.



4.1 Connect +24 VDC red wire from the fixture to the power supply +24 VDC red wire with a wire nut. Connect -24VDC black wire from the fixture to power supply -24VDC black wire with a wire nut.

Kendo M Graze - Installation Instructions

Models KMG-

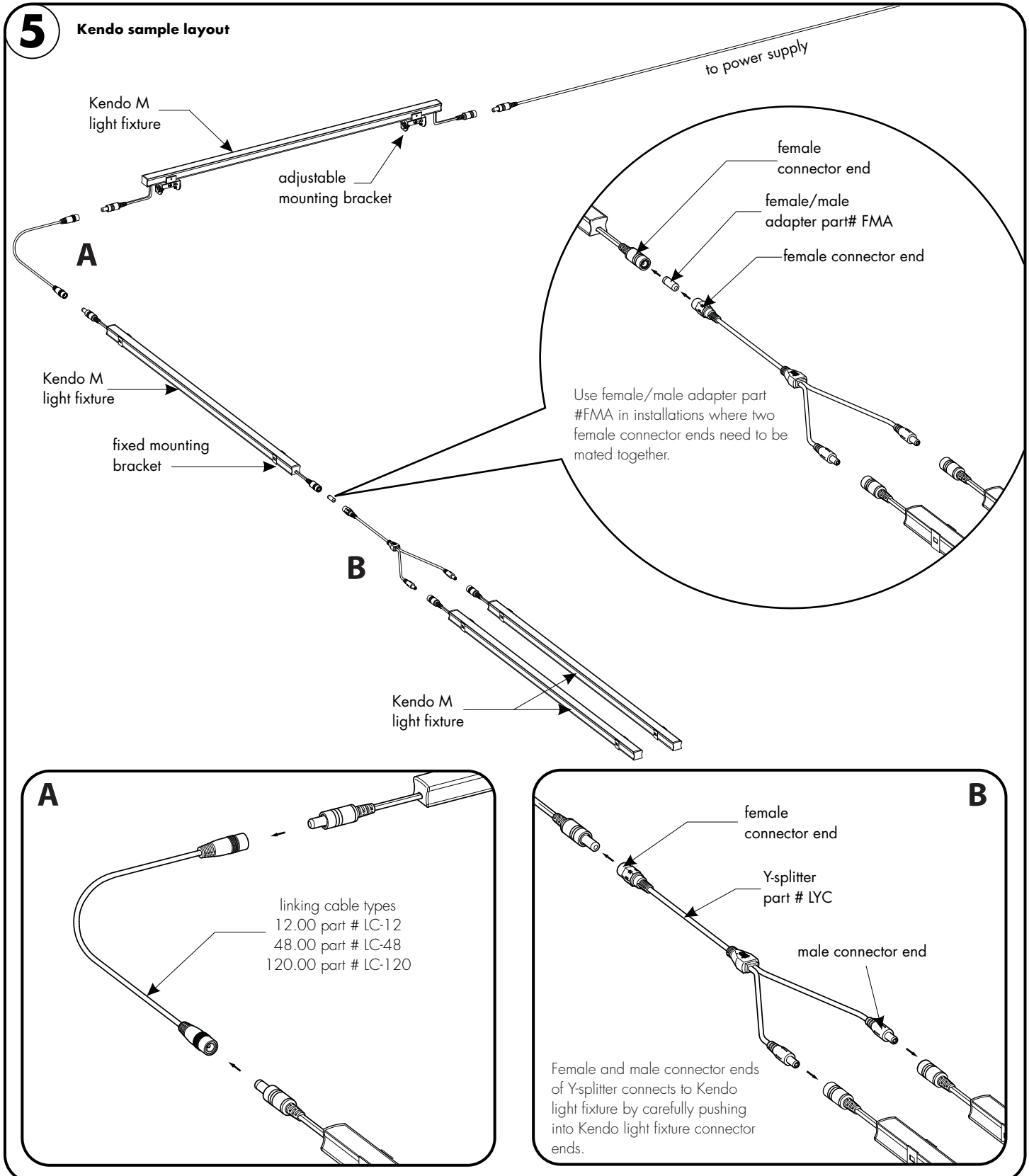


7777 Merrimac Ave
Niles, IL 60714
T 224.333.6033
F 224.757.7557
info@luminii.com
www.luminii.com



Please read all instructions prior to installation and keep for future reference!

- | | |
|--|--|
| 1. PRODUCT TO BE INSTALLED BY A QUALIFIED ELECTRICIAN. | 5. SURFACE MOUNT ONLY |
| 2. USE ONLY WITH CLASS 2 POWER UNIT | 6. SUITABLE FOR INSTALLATION WITHIN THE CLOSET STORAGE SPACE |
| 3. 24 VOLTS DC | 7. TYPE IC |
| 4. SUITABLE FOR DAMP LOCATIONS | 8. INHERENTLY PROTECTED |



Kendo M Graze - Installation Instructions

Models KMG-



luminii

7777 Merrimac Ave
Niles, IL 60714
T 224.333.6033
F 224.757.7557
info@luminii.com
www.luminii.com

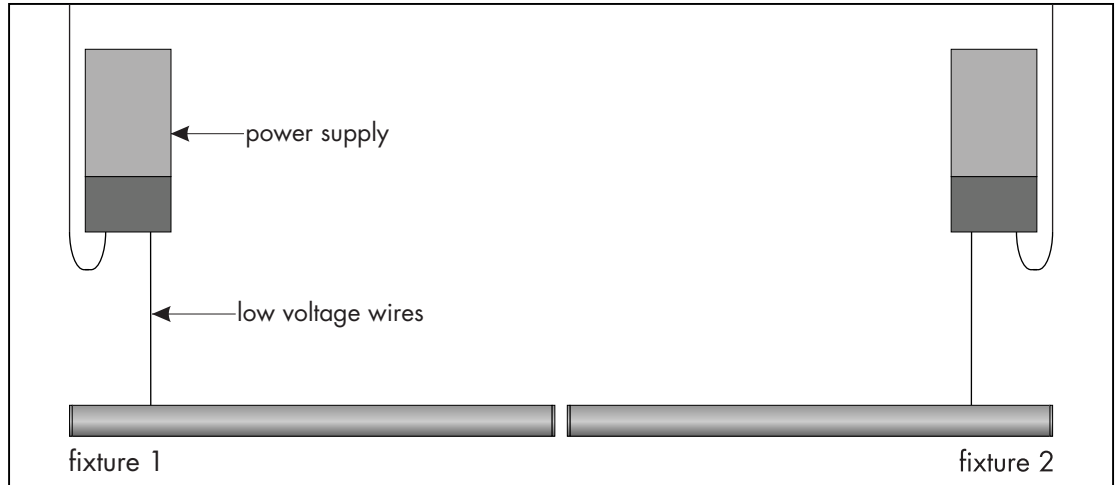
Please read all instructions prior to installation and keep for future reference!

1. PRODUCT TO BE INSTALLED BY A QUALIFIED ELECTRICIAN.
2. USE ONLY WITH CLASS 2 POWER UNIT
3. 24 VOLTS DC
4. SUITABLE FOR DAMP LOCATIONS
5. SURFACE MOUNT ONLY
6. SUITABLE FOR INSTALLATION WITHIN THE CLOSET STORAGE SPACE
7. TYPE IC
8. INHERENTLY PROTECTED

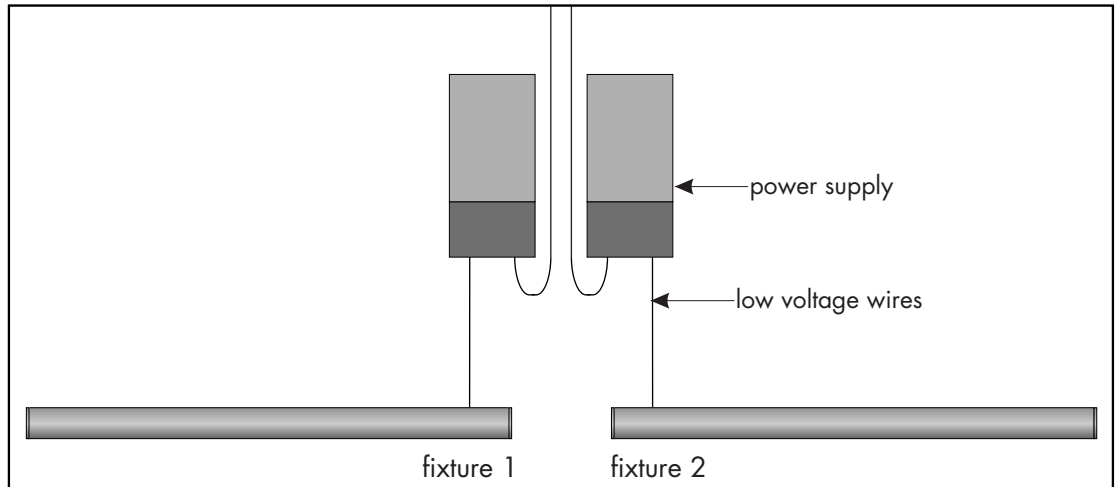
Page 3 of 3

multiple powerfeed layouts

power supplies at the end of the run



power supplies in the middle of the run



consecutive layout, NOT RECOMMENDED

