

Features

- 24VDC Class 2 fixtures made to order up to 144". Fixtures can be linked up to 27' depending on output
- Suitable for undercabinet, millwork recessed and surface mount applications
- Approved for closet/storage space installation per NEC 410.16(A)(3) and 410.16(C)(5)
- Dot free even illumination achievable with frosted lens
- Louvers and Glare Shields available for clear, half-frosted, frosted & graze lens
- Vibrant colors with R9 values up to 98
- Single micro binned LEDs +/- 30 CCT
- Dims with minimal color shift
- Class 2 listed for damp locations
- Proprietary strong bond solder method handles up to 50lbs of torque on wire leads and connectors
- 5 Year warranty



Finish options



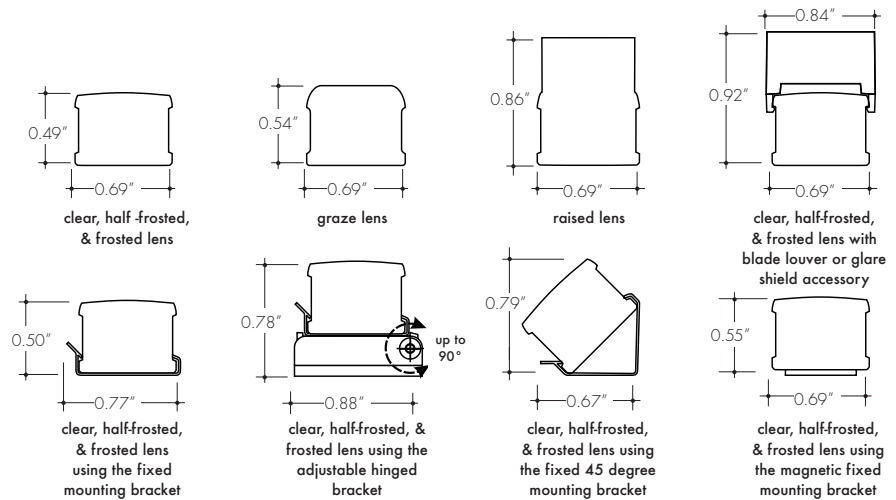
IC RATED

RoHS Compliant



- Silver anodized
- Black powder coated
- Bronze powder coated
- White powder coated

Profile dimensions



Technical information

Output	Lumens (with frosted lens)	Average power consumption at 4'	Lumens / Watt (with frosted lens)	Maximum system length In series
<b>19K-27K</b> (LLDW52)	56 lm/ft (19K) 58 lm/ft (27K) 110 lm/ft (22K all on)	4.3 W/ft (w/ both colors full on) <b>2.1 W/ft average when using PS010WD power supply</b>	24 lm/W	27'
<b>22K-30K</b> (LLDW52)	64 lm/ft (22K) 80 lm/ft (30K) 141 lm/ft (22K all on)	4.3 W/ft (w/ both colors full on) <b>2.1 W/ft average when using PS010WD power supply</b>	33 lm/W	27'

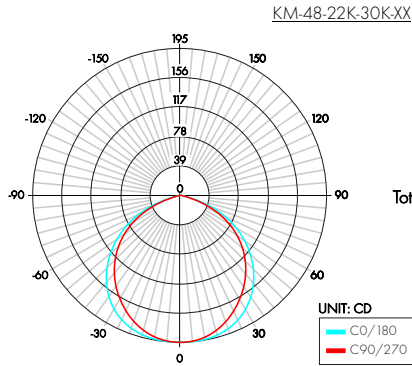
Ordering code

MODEL	LENGTH	CCT	OUTPUT	LENS	MOUNTING	FINISH	POWER FEED POSITION / TYPE	ACCESSORIES	
KM	12	19K-27K	MO	C	FC	SA	E	I	BLS
KM - Kendo M	12"-144" 4" increments	19K-27K - 1900K - 2700K 22K-30K - 2200K - 3000K	MO - Medium	C - Clear HF - Half-Frosted F - Frosted G - Graze *R - Raised	FC - Fixed clip AH - Adjustable hinge mounting FC45 - Fixed clip 45 degree MAG - Magnetic	SA - Silver BK - Black BZ - Bronze WH - White  (BK,BZ,WH finishes will have an up-charge and require longer lead times)	E - End B - Back S - Side	1 - 72" wire leads 1X2 72" wire leads at both ends	- N/A, leave blank BLS - Blade louver, Silver BLBK - Blade louver, Black BLWH - Blade louver, White GSS - Glare shield, Silver GSBK - Glare shield, Black GSWH - Glare shield, White

\*Will not work with Accessories

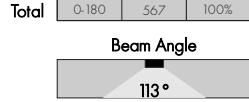
Photometry

Light Transmission



**Zonal Lumen Summary 22K - 30K**

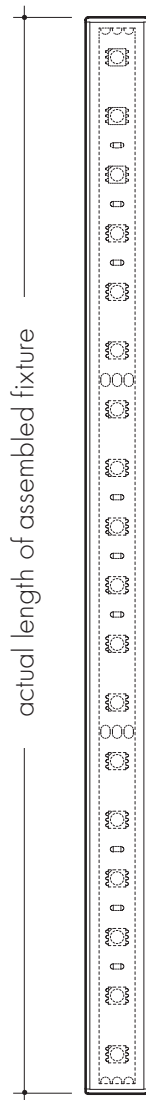
Zone	Lumen	% Fixture
0-30	152	27%
0-40	250	44%
0-60	444	78%
0-90	558	99%
0-180	567	100%



Lens/Accessory	Percentage Light Transmission
clear lens	100%
Graze lens	96%
Graze lens w/ white glare shield	83%
half-frosted lens	77%
raised lens	67%
frosted lens	66%
Graze lens w/ white blade louver	57%

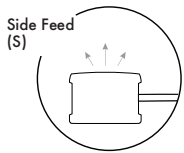
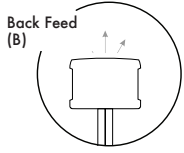
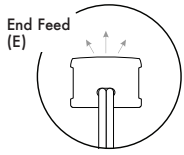
Power consumption per fixture length

Based on operation with PSD series of power supplies.



Nominal Length	Actual Length	MO	
		W/ft	Total wattage
12"	12-3/16"	4.60	4.60
16"	17-14/16"	4.63	6.20
20"	20-10/16"	4.67	7.80
24"	23-7/16"	4.70	9.40
28"	29-1/16"	4.60	10.70
32"	31-14/16"	4.50	11.92
36"	37-9/16"	4.40	13.20
40"	40-5/16"	4.38	14.60
44"	45-15/16"	4.36	16.00
48"	48-14/16"	4.35	17.40
52"	51-9/16"	4.31	19.00
56"	57-4/16"	4.28	20.60
60"	60 "	4.24	22.25
64"	65-10/16"	4.28	23.53
68"	68-7/16"	4.31	24.81
72"	71-4/16"	4.35	26.10
76"	76-15/16"	4.33	27.40
80"	79-11/16"	4.32	28.70
84"	85-5/16"	4.30	30.10
88"	88-3/16"	4.27	31.30
92"	93-12/16"	4.24	32.50
96"	96-10/16"	4.21	33.70
100"	99-6/16"	4.20	35.00
104"	105 "	4.19	36.30
108"	107-14/16"	4.18	37.60
112"	110-10/16"	4.21	39.30
116"	116-5/16"	4.23	41.00
120"	121-15/16"	4.26	42.60
124"	124-12/16"	4.26	44.00
128"	127-9/16"	4.25	45.40
132"	133-3/16"	4.25	46.70
136"	136-1/16"	4.21	47.67
140"	141-10/16"	4.17	48.64
144"	144-7/16"	4.13	49.60

Powerfeed Positions / Type



72" wire leads  
(1)



72" wire leads at both end  
(1X2)

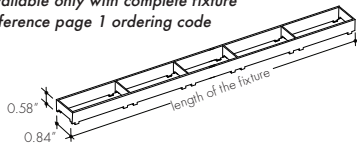


Lead wires end

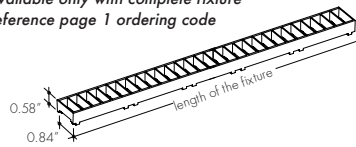


Accessory Options

Glare Shield:  
redirect the light to avoid glare from fixture  
*available only with complete fixture  
reference page 1 ordering code*

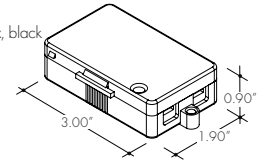


Blade Louver:  
control light distribution  
*available only with complete fixture  
reference page 1 ordering code*



Splice Box:  
Low voltage, 4 terminal splice box, black

Part # LVSP-4T-BK

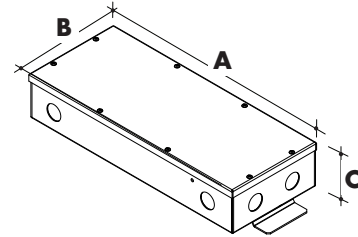


## Power supply

See fixture and power supply instructions & spec sheet for wiring information. Dimming possible in select models - view Luminii website for list of compatible dimmers.

### Non-Dimming Power Supply

MODEL	POWER	OUTPUT	DIMMING	LOCATION
<b>PSV</b>	<b>96</b>	<b>24</b>	<b>U2ND</b>	<b>D</b>
PSV - PSV Series	96 - 96 Watt	24 - 24 VDC	U2ND - Non Dimming	D - Dry Location



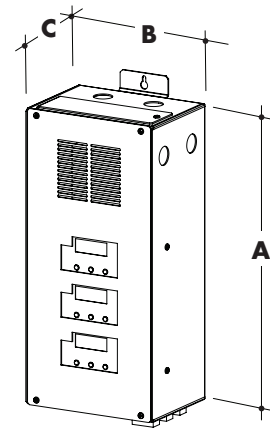
MODELS	96W
<b>A Length</b>	14.40"
<b>B Width</b>	5.20"
<b>C Depth</b>	2.60"

### DMX:

MODEL	POWER	OUTPUT
<b>PSDMX</b>	<b>96</b>	<b>24</b>
PSDMX - DMX Power Supply	96 - 96 Watt 3X96 - 3 X 96Watt	24 - 24 VDC

Features eldoLED's LINEARdrive configurable dimmable drivers

MODELS	96 W	3 X 96 W
<b>A Length</b>	14.40"	15.75"
<b>B Width</b>	5.20"	6.60"
<b>C Depth</b>	2.60"	4.80"

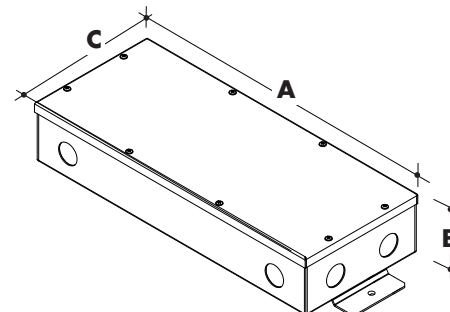


### Warm Dimming via 0-10V:

MODEL	POWER	OUTPUT
<b>PS010WD</b>	<b>96</b>	<b>24</b>
PS010WD - 0-10 Warm dim LED Power Supply	96 - 96 Watt	24 - 24 VDC

Requires a 0-10V controller to work properly

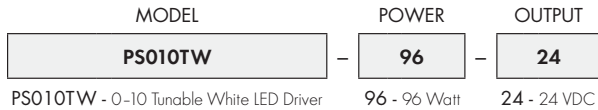
MODELS	PS010
<b>A Length</b>	14.40"
<b>B Width</b>	2.60"
<b>C Depth</b>	5.20"



Power supply

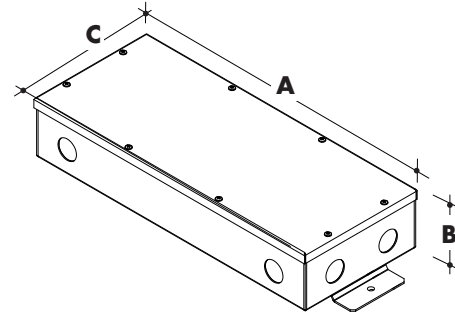
See fixture and power supply instructions & spec sheet for wiring information. Dimming possible in select models - view Luminii website for list of compatible dimmers.

Tunable White via 0-10V



Requires two 0-10V controllers to work properly

MODELS	PS010TW
<b>A Length</b>	14.40"
<b>B Width</b>	2.60"
<b>C Depth</b>	5.20"



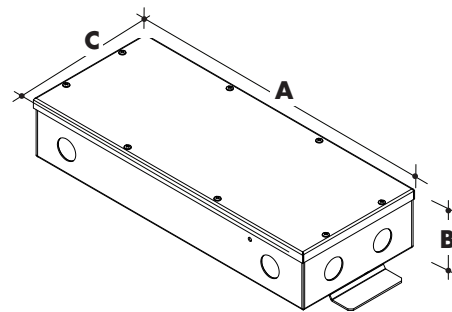
Customizable Dim to Warm or Variable White via 0 - 10V



- WW - Standard One Channel - Dim To Warm Curve
- W2C - Standard Two Channel - Dim 1: Intensity; Dim 2: CCT
- W21 - Standard Two Channel - Dim 1: Warm Channel Intensity; Dim 2: Cool Channel Intensity
- W1X - Custom One Channel - Dim To Warm Curve
- W2X - Custom two Channel - Dim 1: Intensity; Dim 2: CCT

Requires a 0-10V controller to work properly

MODELS	PS010V
<b>A Length</b>	14.40"
<b>B Width</b>	2.60"
<b>C Depth</b>	5.20"



## Controllers

### DDW-MC: Dynamic White controller



#### ORDERING CODE

**DDW-MC**

DDW-MC - Dynamic white controller

Dynamic white wall-mount controller controls lighting fixtures, wireless control of DW lighting fixture. Fits in any standard US switch box. Includes all the outputs in the back of the controller.

Control brightness levels with a single touch, personalize and memorize 3 different scenes, and even create 3 variations of white.

#### Operating voltage

3V DC battery

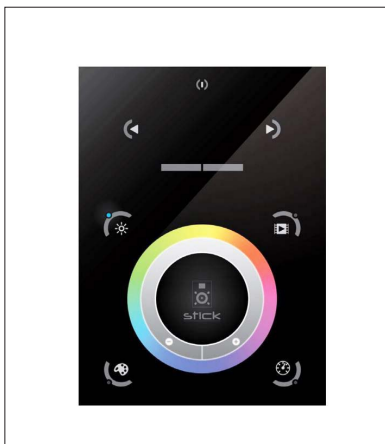
#### Features

- Switch and dimming control function, control range > 20M.
- Switch on/off of lighting slowly, without any flash, meet the comfort of human eyes.
- Switch from color dimming to adjust color temperature.
- Enable to control 1 zones separately, each zone can be set endless receivers, each receiver maximally be controlled by 8 different remotes.
- Enable be dimmed, switch ON/OFF and adjust color temperature by push button after connecting receivers.

#### Color parameters

- Brightness
- Saturation
- Fading

### TSDMX-E: Touchscreen DMX controller



#### ORDERING CODE

**TSDMX-E**

TSDMX-E - Touchscreen DMX controller

Programmable advanced DMX512 lighting controller featuring a touch-screen interface. Operates as stand alone controller or integrated with most architectural lighting control systems. Can controller endless DMX512 enabled devices.

Mounts to standard single or dual gang wall box with the included power supply inside the junction box. Terminal block design for power and data connections.

#### Power supply

7 VDC (included)

#### Programmability

PC, Mac, Tablet, Smartphone

#### Output signal

DMX512 (1024 channels)

#### Color parameters

- Brightness
- Saturation
- Speed of color changing sequence
- Fading / dimming / brightness

#### Key Features

- Sleek glass design which sits 0.43" from the wall
- Graphical color display to show selected environment
- Color/dimmer/speed palette
- Color temperature mixing
- Touch sensitive buttons. No mechanical parts
- Touch sensitive wheel allows for accurate color selection
- Multi-zone microSD memory
- Multi-room control with 500 scenes, 10 zones
- 1024 DMX channels. Control 340 RGB fixtures
- USB & Ethernet connectivity

## DMX decoder

DMX signal to RGBW decoder (required to operate DMX controller, decoder not needed if using PSDMX power supply)



### ORDERING CODE

**DDMX-RGBW**

DDMX-RGB - DMX decoder

Translates controller DMX512 programs for RGB and white LED strips.

Unique DMX address for the decoder can be set easily and displayed by the numeric display on the case. Changing and resetting the DMX address requires manual input.

Use power repeater to expand output.

**Operating voltage**  
12-36 VDC

**Power capacity**  
up to 96W at 24V

**Operating temperature range**  
from -4 °F to +122 °F in case

## RGBW-RC-R

Dynamic white receiver



### ORDERING CODE

**RGBW-RC-R**

RGBW-RC-R - Dynamic white receiver

The DDW receiver is easily paired with controller by the click of a button. Receiver can be reset to factory settings at any time.

Each receiver can store one static DW color, one color sequence, and one brightness setting for the white LED strip. Receivers assigned to the same scene within the same zone will have the same LED static color and color sequence.

**Operating voltage**  
12-36 VDC

**Power capacity**  
up to 96W at 24V

**Operating temperature range**  
from -4 °F to +122 °F in case