

Features

- 24VDC Class 2 fixtures made to order up to 144". Fixtures can be linked up to 16' depending on output
- Suitable for undercabinet, millwork recessed and surface mount applications
- Approved for closet/storage space installation per NEC 410.16(A)(3) and 410.16(C)(5)
- Vibrant colors with R9 values up to 98
- Dot free even illumination achievable in certain outputs
- Single micro binned LEDs +/- 30 CCT
- Dims with minimal color shift
- Class 2 listed for wet locations
- Proprietary strong bond solder method handles up to 50lbs of torque on wire leads and connectors
- 3 Year warranty



Finish options


IP68



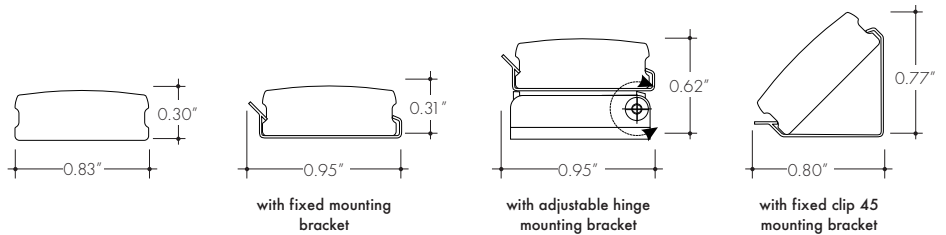
IC RATED

RoHS



-  Silver anodized
-  Black powder coated
-  Bronze powder coated
-  White powder coated

Profile dimensions



Technical information

OUTPUT OPTIONS

Output	Lumens at 4000K (with clear lens)	Average power consumption at 4'	Lumens / Watt (with clear lens)	Maximum system length In series
SO (LL36X2)	429 lm/ft	6.5 W/ft	66 lm/W	16'
HO (LL54X2)	633 lm/ft	10.4 W/ft	61 lm/W	10'

CCT INFO/LUMEN MULTIPLIER

Color temperature	Multiplier (reference - 3000K)	CRI	R _f	R _g
2700K	0.73	97	95	101
3000K	0.81	91	89	98
3500K	0.86	94	90	102
4000K	1.00	94	86	96

TM-30-15

Ordering code

MODEL	LENGTH	CCT	OUTPUT	LENS	MOUNTING	FINISH	POWER FEED POSITION / TYPE
KLW	12	27K	SO	C	FC	SA	E
KLW - Kendo L Wet	12" - 144" 4" increments	27K - 2700 K 30K - 3000 K 35K - 3500 K 40K - 4000 K	SO - Standard *HO - High	C - Clear F - Frosted	FC - Fixed clip AH - Adjustable hinge mounting FC45 - Fixed clip 45 degree	SA - Silver BK - Black BZ - Bronze WH - White (BK,BZ,WH finishes will have an upcharge and require longer lead times)	E - End B - Back

*Not available over 120"

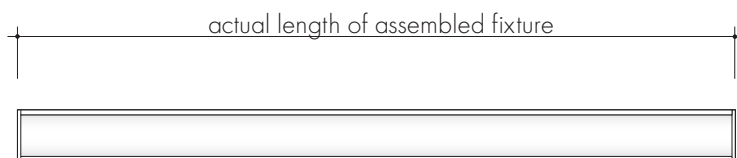
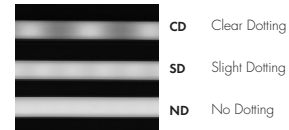
Power consumption per fixture length

Based on operation with PSD series of power supplies.

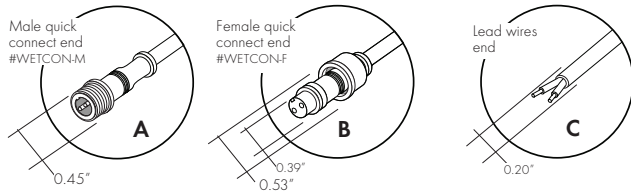
Nominal Length	SO			HO		
	Actual Length	W/ft	Total wattage	Actual Length	W/ft	Total wattage
12"	12-12/16"	6.80	6.8	12-11/16"	10.80	10.8
16"	16-10/16"	6.78	8.9	16-10/16"	10.73	13.8
20"	20-10/16"	6.76	11.5	20-10/16"	10.67	16.8
24"	24-8/16"	6.75	13.5	24-9/16"	10.60	19.8
28"	28-7/16"	6.72	15.8	28-7/16"	10.50	23.5
32"	32-7/16"	6.69	17.9	32-7/16"	10.40	27.2
36"	36-5/16"	6.65	19.95	36-6/16"	10.30	30.9
40"	40-4/16"	6.62	22	40-5/16"	10.29	34.3
44"	44-4/16"	6.59	24	44-4/16"	10.28	37.7
48"	48-3/16"	6.55	26.2	48-3/16"	10.28	41.1
52"	52-2/16"	6.50	28	53-7/16"	10.27	44.6
56"	56-1/16"	6.45	30	57-6/16"	10.26	48.1
60"	60"	6.40	32	61-5/16"	10.25	51.6
64"	63-15/16"	6.37	34	65-4/16"	10.23	55.5
68"	69-13/16"	6.34	35.5	69-3/16"	10.22	59
72"	73-12/16"	6.30	37.8	73-2/16"	10.20	63.2
76"	77-11/16"	6.27	39.66	77-1/16"	10.17	66.2
80"	81-11/16"	6.24	41.5	81-1/16"	10.14	69.12
84"	85-9/16"	6.20	43.4	85"	10.10	72.1
88"	89-8/16"	6.17	45.2	88-14/16"	10.00	74.5
92"	93-7/16"	6.14	47	92-13/16"	9.96	76.9
96"	97-6/16"	6.10	48.8	96-13/16"	9.90	79.4
100"	101-6/16"	6.07	50.5	100-12/16"	9.87	82.3
104"	105-4/16"	6.04	52.3	104-11/16"	9.83	85.2
108"	109-4/16"	6.00	54	108-10/16"	9.80	88.1
112"	113-3/16"	5.98	55.8	112-9/16"	9.77	90.7
116"	117-1/16"	5.97	57.7	116-8/16"	9.73	93.3
120"	121-1/16"	5.95	59.5	120-8/16"	9.70	96
124"	125"	5.92	61.1			
128"	128-14/16"	5.89	62.7			
132"	132-14/16"	5.85	64.35			
136"	136-13/16"	5.83	66			
140"	140-12/16"	5.81	67.9			
144"	144-11/16"	5.80	69.6			

LED Dotting per extrusion

LED Dotting per output/lens		
Output Type	Lens Type	
	Clear	Frosted
SO (LL36X2)	CD	CD
HO (LL54X2)	CD	ND

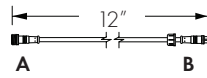


Connectors

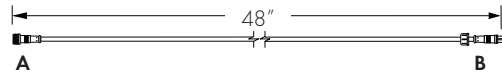


Linking and Extension Cable

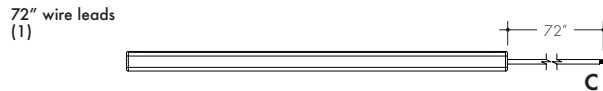
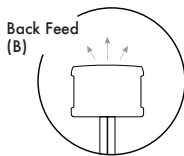
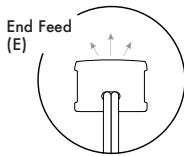
Male/female Joiner 12" - Part # IP67-12



Male/female Joiner 48" - Part # IP67-48

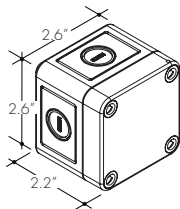


Powerfeed options with fixed bracket

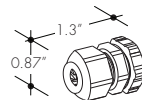


Accessory options

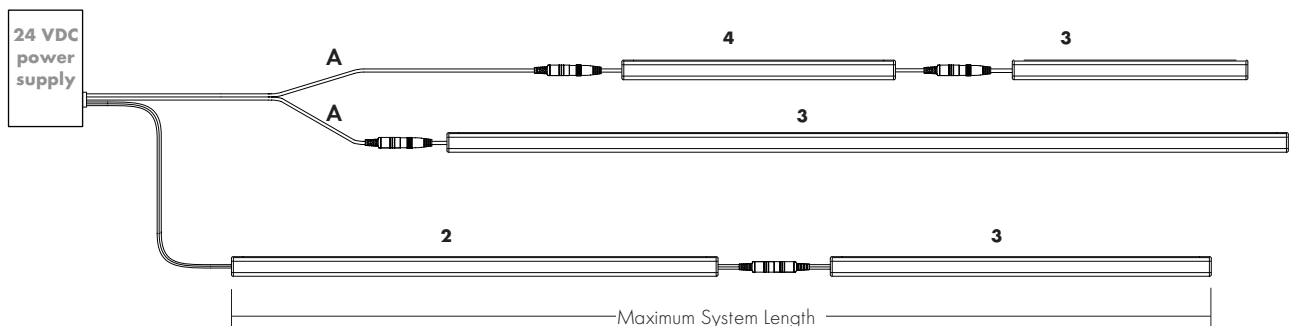
Splice Box:
Wet rated, low voltage
splice box, gray
Part # LVSP-WET



Connector:
Low voltage splice box
wet cable management
gray
Part # LVSP-WET-CM



Sample layout of powerfeed connections



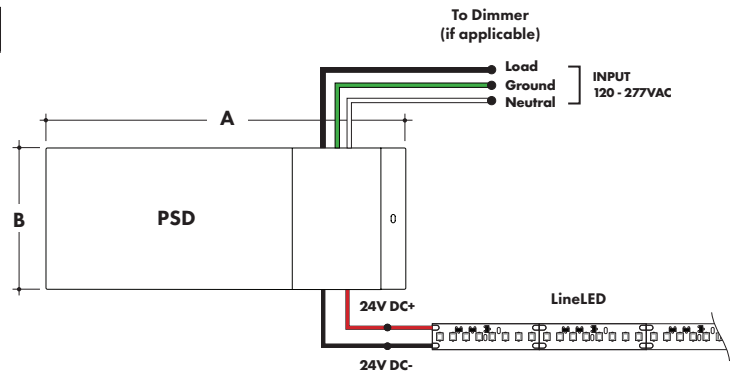
Power Supply

See fixture and power supply instructions & spec sheet for wiring information. Dimming possible in select models - view Luminii website for list of compatible dimmers.

Magnetic Low Voltage Dimming Power Supplies

MODEL	POWER	OUTPUT	INPUT
PSD	48	24	
PSD - PSD Series dims down to 0%	48 - 48 Watt 96 - 96 Watt 288 - 288 Watt (3 x 96Watt)	24 - 24 VDC	Blank - 120 V 240 - 240 V 277 - 277 V

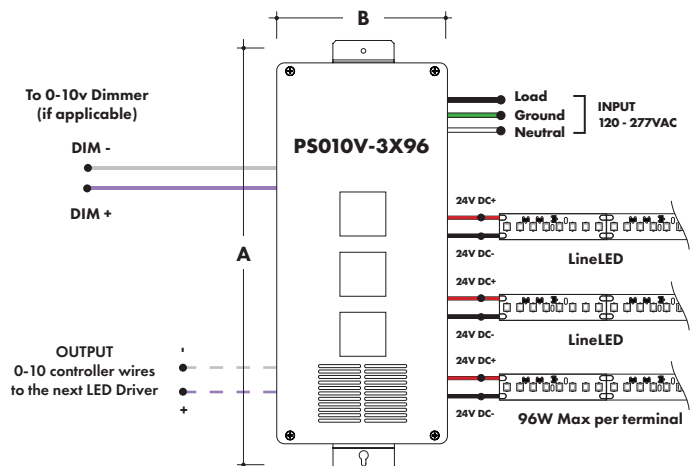
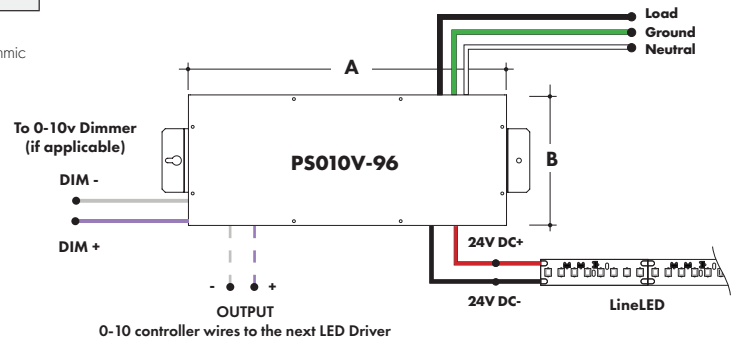
MODELS	PSD 48	PSD 96	PSD 288
A Length	11.25"	11.25"	13.06"
B Width	3.42"	3.42"	8.42"
Depth	3.42"	3.27"	4.47"



0-10V Dimming Power Supplies

MODEL	POWER	OUTPUT	DIMMING
PS010V	96	24	LIN
PS010V - 0-10V Power Supply dims down to 0%	96 - 96 Watt 3X96 - 3 X 96 Watt	24 - 24 VDC	LIN - Linear LOG - Logarithmic

MODELS	96W	3X96
A Length	14.40"	15.75"
B Width	5.20"	6.62"
Depth	2.60"	4.95"



Power Supply

See fixture and power supply instructions & spec sheet for wiring information. Dimming possible in select models - view Luminii website for list of compatible dimmers.

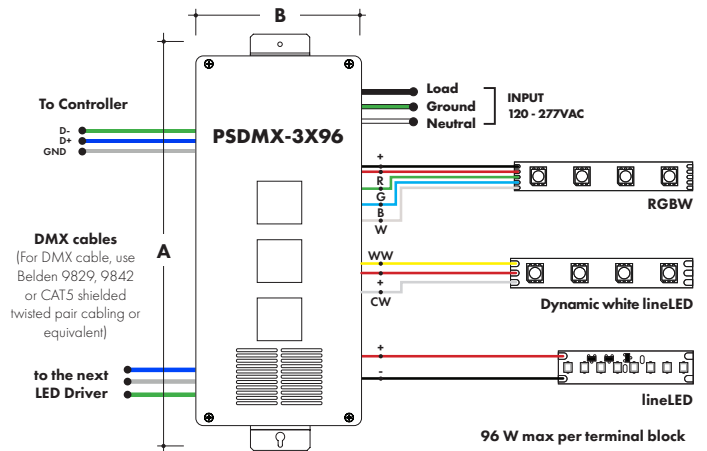
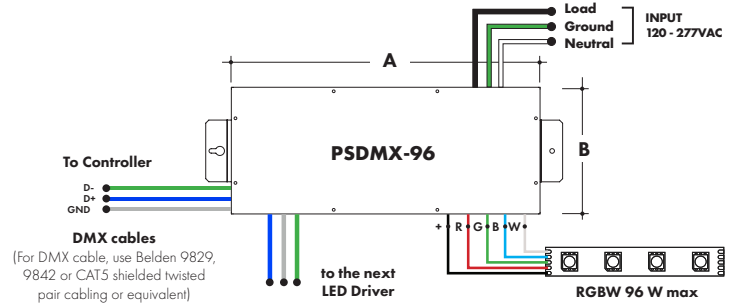
DMX Dimming Power Supplies

MODEL	POWER	OUTPUT
PSDMX	96	24

PSDMX - DMX Power Supply 96 - 96 Watt 24 - 24 VDC
 3X96 - 3 X 96 Watt

Features eldoLED's LINEARdrive configurable dimmable drivers

MODELS	96W	3X96
A Length	14.40"	15.75"
B Width	5.20"	6.62"
Depth	2.60"	4.95"



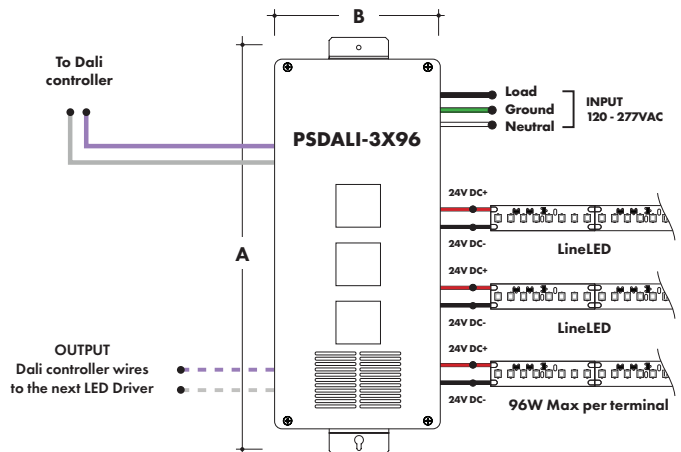
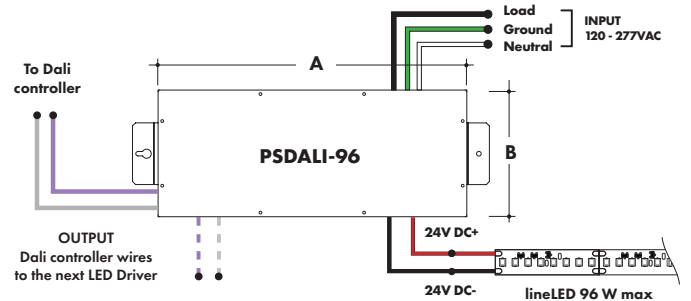
DALI Dimming Power Supplies

MODEL	POWER	OUTPUT
PSDALI	96	24

PSDALI - DALI Power Supply 96 - 96 Watt 24 - 24 VDC
 dims down to 0% 3X96 - 3 X 96 Watt

Features eldoLED's LINEARdrive configurable dimmable drivers

MODELS	96W	3X96
A Length	14.40"	15.75"
B Width	5.20"	6.62"
Depth	2.60"	4.95"



Power Supply

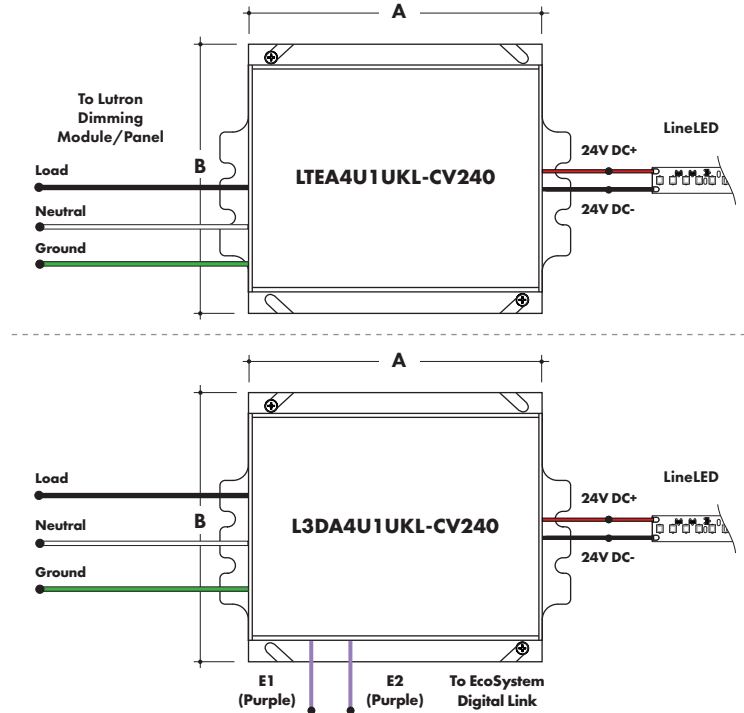
See fixture and power supply instructions & spec sheet for wiring information. Dimming possible in select models - view Luminii website for list of compatible dimmers.



Luminii is a Lutron OEM Advantage Partner

MODEL	MODEL
LTEA4U1UKL-CV240	L3DA4U1UKL-CV240
Lutron - HiLume™ 1% 2-wire LED Driver (120V forward phase only)	HiLume™ 1% EcoSystem Voltage LED driver

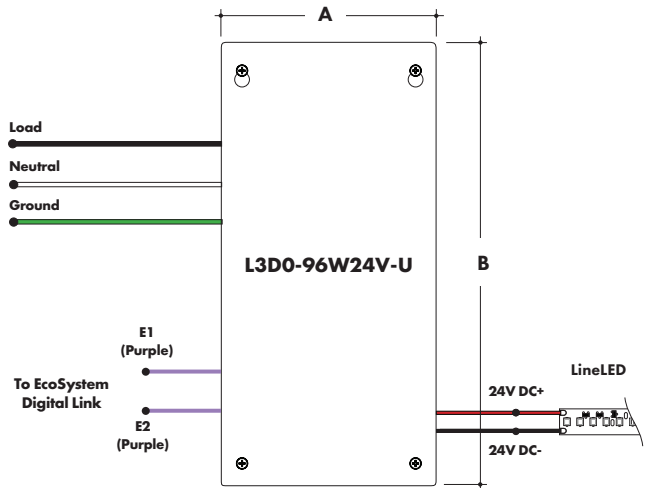
MODELS	LTEA41UKL-CV240	L3DA4U1UKL-CV240
A Length	4.89"	4.98"
B Width	4.00"	4.00"
Depth	2.62"	2.62"



Luminii is a Lutron OEM Advantage Partner

MODEL
L3D0-96W24V-U
HiLume™ 0.1% EcoSystem Voltage LED Driver with Soft-On, Fade-to-Black™

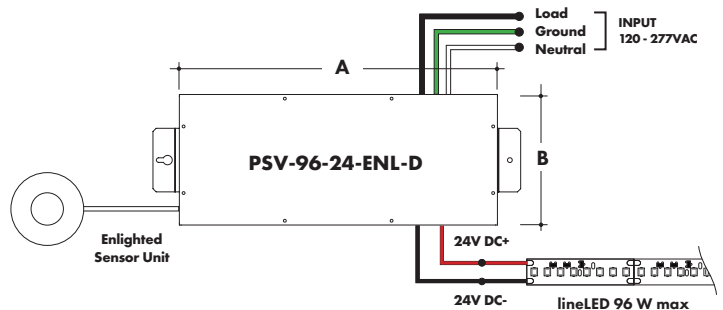
MODELS	L3D0
A Length	10.50"
B Width	5.50"
Depth	2.00"



Enlighted Enabled Dimming Power Supplies:

MODEL	POWER	OUTPUT	DIMMING	LOCATION
PSV	96	24	ENL	D
PSV - PSV Series	96 - 96 Watt	24 - 24 VDC	ENL - Enlighted Dimming	D - Damp

MODELS	96 W
A Length	14.40"
B Width	5.20"
Depth	2.60"



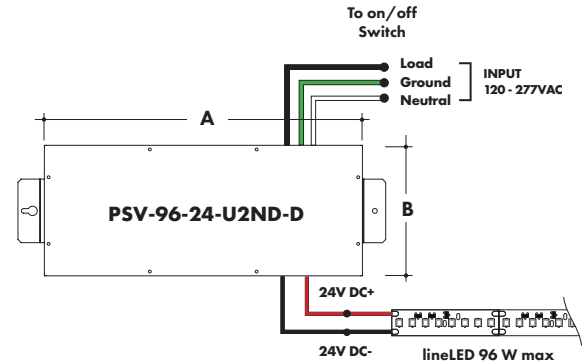
Power Supply

See fixture and power supply instructions & spec sheet for wiring information. Dimming possible in select models - view Luminii website for list of compatible dimmers.

Non-Dimming Power Supply

MODEL	POWER	OUTPUT	DIMMING	LOCATION
PSV	96	24	U2ND	D
PSV - PSV Series	96 - 96 Watt	24 - 24 VDC	U2ND - Non Dimming	D - Damp

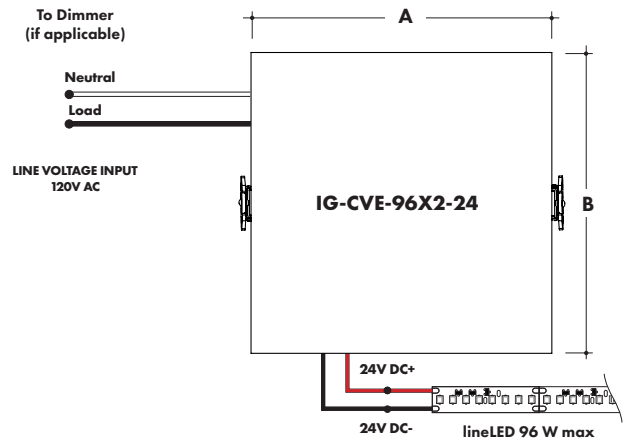
MODELS	96W
A Length	14.40"
B Width	5.20"
Depth	2.60"



In ground, Electronic Low Voltage Dimming Power Supplies

MODEL	POWER	OUTPUT	INPUT
IG	CVE	96X2	24
IG - In ground CVE Series	CVE - ELV Dimming DALI - eidoLED Dali dimming Both dims down to 0.1%	96X2 - 2 X 96 Watt	24 - 24 VDC Blank - 120 V 277 - 240/277 V

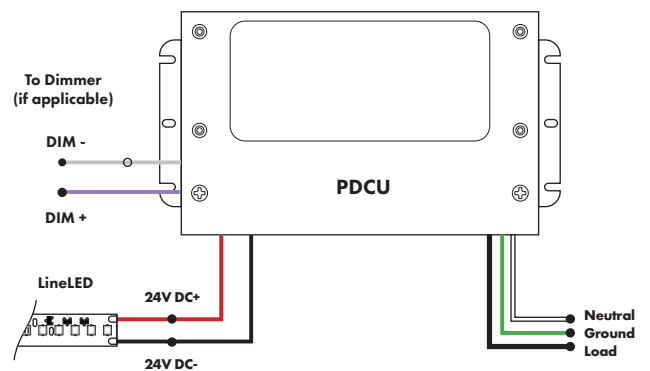
MODELS	Dual Circuit
A Length	8.40"
B Width	8.30"
Depth	8.10"



Universal Power Supply

MODEL	POWER	OUTPUT
PDCU	30	24
PDCU - PDCU Series	30 - 30 Watt	24 - 24 VDC
PDCUe - PDCUe Series	60 - 60 Watt 96 - 96 Watt 3X96 - 3x96 Watt	

- 0-10V - 1% dimming
- MLV/ELV/TRIAC - 1% dimming



MODELS	PDCU 30W	PDCUe 30W	PDCU 60W	PDCUe 60W	PDCU 96W	PDCUe 96W	PDCU 3X96W	PDCUe 3X96W
A Length	6.50"	6.10"	7.40"	7.93"	8.66"	8.25"	11.85"	9.57"
B Width	3.73"	3.35"	3.73"	3.35"	3.73"	4.10"	4.32"	5.94"
Depth	1.61"	1.33"	1.61"	1.32"	1.61"	1.56"	1.81"	1.13"