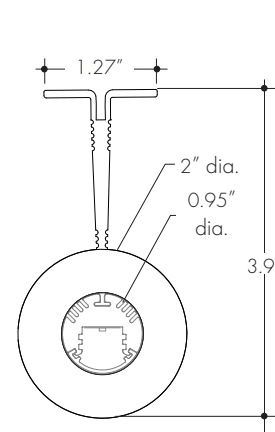
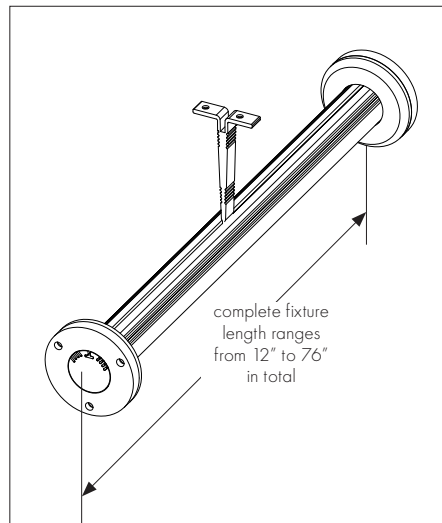


Extruded aluminum hanging system, Kendo Closet Rod offers an ideal solution for illuminating clothing and other hanging items. Available with clear or frosted lens and up to 76 inches long, the Kendo Closet Rod can support up to 50 lbs per foot when mounting supports are secured to blocking and placed every 20". Dual feed option is available for applications where multiple units are interconnected. Class 2 listed for damp location. Approved for closet/storage space installation per NEC 410.16(A)(3) and 410.16(C)(5).



Finish options



Technical information

Output type	Output Options	
	SO (LL36)	HO (LLX22)
Lumens at 3000K (Clear lens)	199 lum/ft	330 lum/ft
Average power consumption at 4'	3.2 W/ft	5.4 W/ft
Maximum system length <i>achievable with fixtures being connected using the quick connector power feed options.</i>	39'	23'
Operating Voltage	24VDC	24VDC

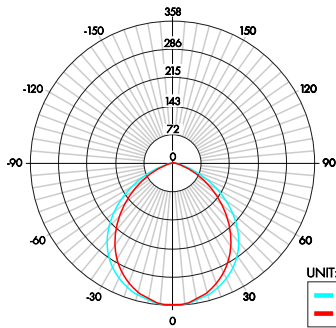
Color temperature	CCT INFO/LUMEN MULTIPLIER		TM-30-15		
	Multiplier <small>(referenced from 3000K)</small>	CRI	R _f	R _g	
2700K	0.81	98	95	102	
2900K	0.86	97	95	102	
3000K	1.00	91	90	101	
3500K	1.05	95	90	97	
4100K	1.28	93	88	96	

Ordering code

MODEL	LENGTH	CCT	OUTPUT	LENS	MOUNTING	FINISH	POWER FEED
KCR	12	27K	SO	C	EM	SA	F1
KCR - Kendo Closet Rod	12" - 76" 2" increments	27K - 2700 K 29K - 2900 K 30K - 3000 K 35K - 3500 K 41K - 4100 K	SO - Standard HO - High	C - Clear F - Frosted	EM - End mounting SM - Stem mounting	SA - Silver BK - Black BZ - Bronze WH - White	F1 - 72" lead wires F1X2 - 72" wire lead at both ends F2 - 72" lead wires at one end and quick connect at the other F3 - Single quick connect F4 - Dual quick connect

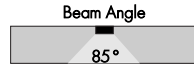
Photometry

KCR-48-30K-SO-C-XX



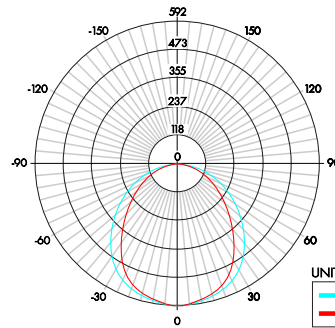
Zonal Lumen Summary 3000K

Zone	Lumen	% Fixture
0-30	274	34%
0-40	444	55%
0-60	692	87%
0-90	780	98%
0-180	796	100%



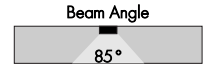
UNIT: CD
 C0/180
 C90/270

KCR-48-30K-HO-C-XX



Zonal Lumen Summary 3000K

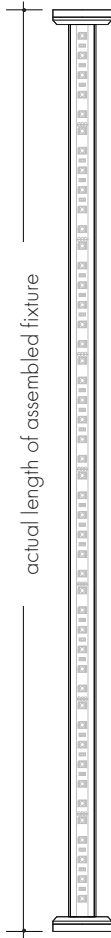
Zone	Lumen	% Fixture
0-30	454	34%
0-40	734	56%
0-60	1146	87%
0-90	1294	98%
0-180	1321	100%



UNIT: CD
 C0/180
 C90/270

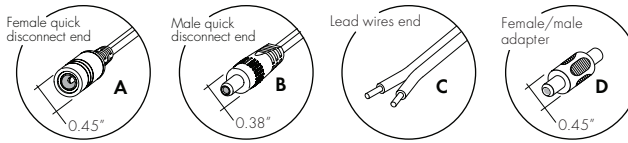
Power consumption per fixture length

Based on operation with PSD series of power supplies.



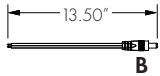
Nominal length	Actual length	SO		HO		
		W/ft	Total wattage	Actual length	W/ft	Total wattage
12"	13-14/16"	3.25	3.25	13-14/16"	5.60	5.60
14"	15-13/16"	3.25	3.75	16 "	6.53	6.55
16"	17-12/16"	3.25	4.00	18-2/16"	7.47	7.50
18"	19-12/16"	3.25	4.85	20-5/16"	8.40	8.40
20"	21-12/16"	3.25	5.25	22-6/16"	9.33	9.30
22"	23-11/16"	3.25	5.95	24-9/16"	10.27	10.20
24"	25-10/16"	3.25	6.50	25-10/16"	11.20	11.10
26"	27-10/16"	3.25	7.05	27-13/16"	12.13	12.25
28"	29-9/16"	3.25	7.75	29-15/16"	13.07	13.50
30"	31-9/16"	3.25	8.10	32-2/16"	14.00	14.25
32"	33-9/16"	3.25	8.50	34-4/16"	14.93	15.00
34"	35-8/16"	3.25	9.20	36-7/16"	15.87	15.75
36"	37-7/16"	3.25	9.75	37-8/16"	16.80	16.50
38"	39-8/16"	3.25	10.00	39-11/16"	17.73	17.25
40"	41-6/16"	3.25	10.25	41-12/16"	18.67	18.00
42"	43-6/16"	3.20	11.20	43-14/16"	19.60	18.90
44"	45-6/16"	3.20	11.75	46-1/16"	20.53	19.80
46"	47-5/16"	3.20	12.25	48-4/16"	21.47	20.80
48"	49-5/16"	3.20	12.80	50-6/16"	22.40	21.80
50"	51-4/16"	3.20	13.00	52-9/16"	23.33	22.40
52"	53-4/16"	3.20	13.30	53-10/16"	24.27	23.00
54"	55-3/16"	3.20	14.40	55-13/16"	25.20	24.25
56"	57-3/16"	3.20	14.80	57-15/16"	26.13	25.50
58"	59-3/16"	3.20	15.45	60-2/16"	27.07	26.25
60"	61-2/16"	3.20	16.00	62-3/16"	28.00	27.00
62"	63-1/16"	3.20	16.50	64-6/16"	28.93	27.75
64"	65-1/16"	3.20	17.00	66-8/16"	29.87	28.50
66"	67 "	3.15	17.50	67-9/16"	30.80	29.25
68"	71 "	3.15	18.00	69-12/16"	31.73	30.00
70"	72-15/16"	3.15	18.45	71-15/16"	32.67	31.05
72"	74-14/16"	3.15	18.90	74-1/16"	33.60	32.10
74"	76-14/16"	3.15	18.95	76-4/16"	34.53	32.95
76"	78-13/16"	3.15	19.00	77-6/16"	35.47	33.90

Connectors

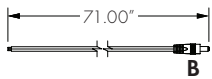


Linking and extension cable options

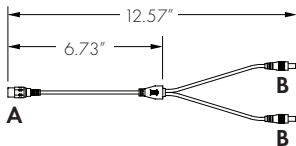
Male quick-connect
Part # LMC



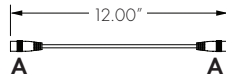
Male quick-connect long
Part # LMC-70



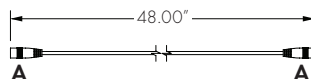
Y-splitter
Part # LYC



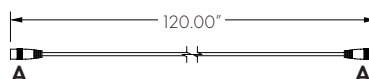
12" extension cable
Part # EC-12



48" extension cable
Part # EC-48



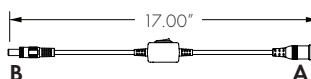
120" extension cable
Part # EC-120



Female/male adaptor
Part # FMA

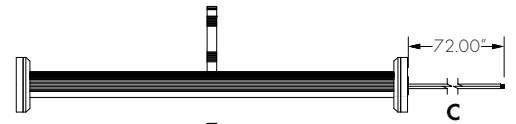


Inline DC switch
Part # IS-DC



Powerfeed options

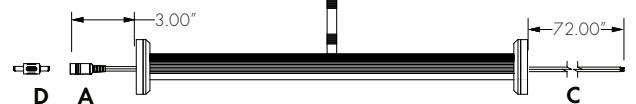
-F1



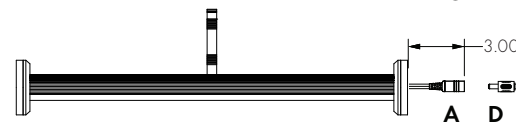
-F1X2



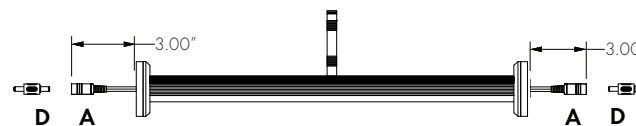
-F2



-F3



-F4

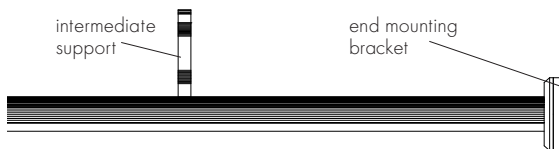


-F3 and -F4 powerfeed options require #LMC to connect to PSD series of power supplies.

Mounting options

End mounting (EM)

The Kendo Closet Rod length ordered has two end mounting brackets and one intermediate support for every 20" of length.



Stem mounting (SM)

The Kendo Closet Rod ordered has multiple intermediate supports depending on the length ordered.

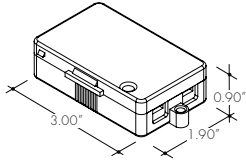


Accessories

Splice Box

LVSP-4T-BK

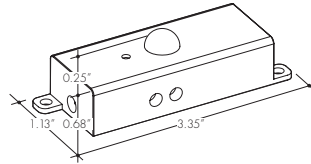
Low voltage, 4 terminal splice box, black



PIR Infrared Occupancy Sensor

OS-DC-F4-BK

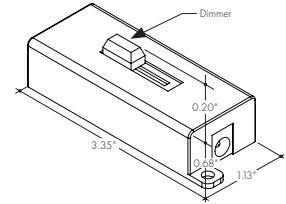
OS-DC-F4-BK - Occupancy Sensor



24VDC Low Voltage In-Line Dimmer Module

DIM-DC-F4-BK

DIM-DC-F4-BK - 24VDC Low Voltage In-Line Dimmer Module



Note: a Male quick connector for input and output is required.

Note: a Male quick connector for input and output is required.

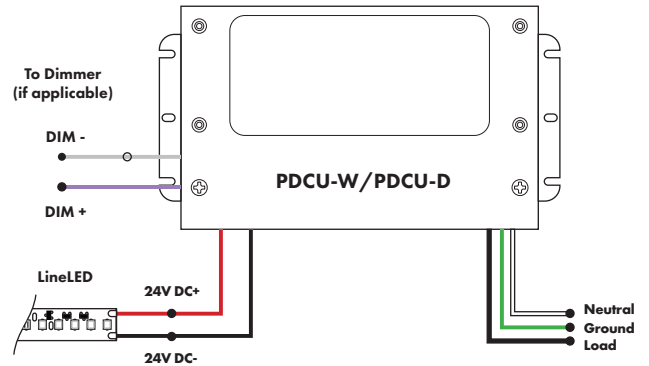
Power Supply

See fixture and power supply instructions & spec sheet for wiring information. Dimming possible in select models - view Luminii website for list of compatible dimmers.

Universal Power Supply

MODEL	POWER	OUTPUT
PDCU-W	96	24
PDCU-W - IP66 Wet Series	96 - 96 W 3X96 - 3X96 W	24 - 24 VDC
PDCU-D - IP20 Dry Series	30 - 30 W 60 - 60 W 96 - 96 W 3X96 - 3X96 W	

0-10V - 1% dimming
MLV/ELV/TRIAC - 1% dimming, consult dimming compatibility chart
Compatibility:
View a complete list of compatible dimmers on product page ([Link](#))

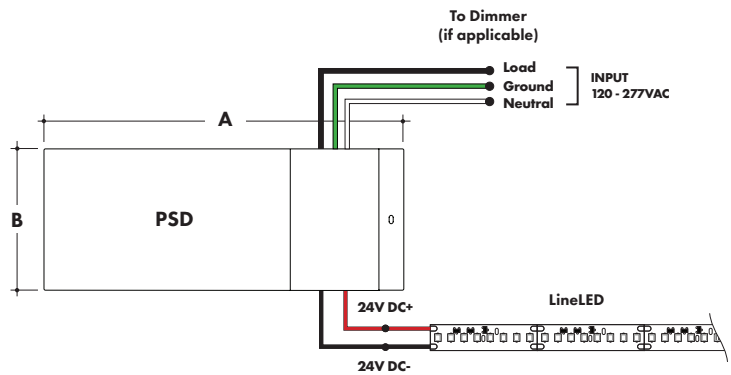


MODELS	PDCU-W 96W	PDCU-W 3X96W	PDCU-D 30W	PDCU-D 60W	PDCU-D 96W	PDCU-D 3X96W
A Length	8.66"	11.85"	6.10"	7.93"	8.25"	9.57"
B Width	3.73"	4.32"	3.35"	3.35"	4.10"	5.94"
Depth	1.61"	1.81"	1.33"	1.32"	1.56"	1.13"

Magnetic Low Voltage Dimming Power Supplies

MODEL	POWER	OUTPUT	INPUT
PSD	48	24	
PSD - PSD Series dims down to 0%	48 - 48 Watt 96 - 96 Watt 288 - 288 Watt (3 x 96Watt)	24 - 24 VDC	Blank - 120 V 240 - 240 V 277 - 277 V

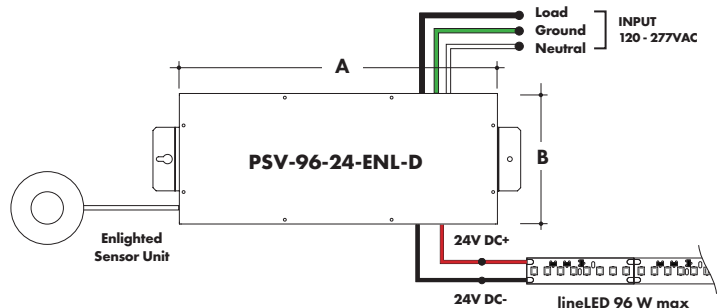
MODELS	48W	96W	288W
A Length	11.25"	11.25"	13.06"
B Width	3.42"	3.42"	8.42"
Depth	3.42"	3.27"	4.47"



Enlighted Enabled Dimming Power Supplies:

MODEL	POWER	OUTPUT	DIMMING	LOCATION
PSV	96	24	ENL	D
PSV - PSV Series	96 - 96 Watt	24 - 24 VDC	ENL - Enlighted Dimming	D - Damp

MODELS	96W
A Length	14.40"
B Width	5.20"
Depth	2.60"



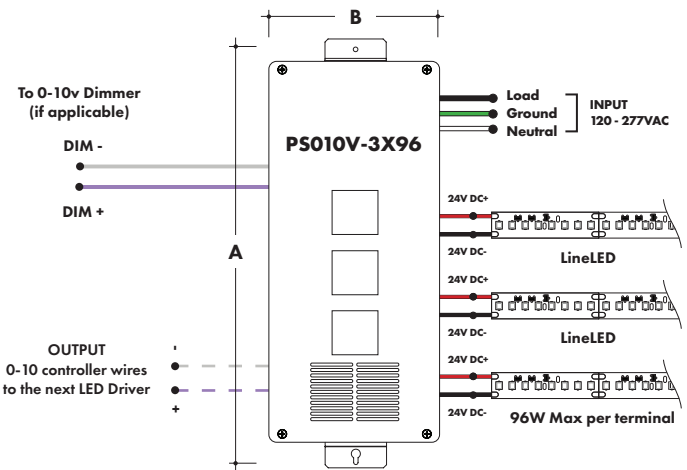
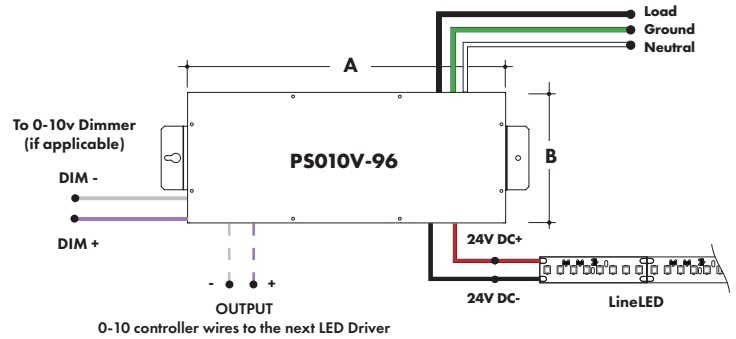
Power Supply

See fixture and power supply instructions & spec sheet for wiring information. Dimming possible in select models - view Luminii website for list of compatible dimmers.

0-10V Dimming Power Supplies

MODEL	POWER	OUTPUT	DIMMING
PS010V	96	24	LIN
PS010V - 0-10V Power Supply dims down to 0%	96 - 96 Watt 3X96 - 3 X 96 Watt	24 - 24 VDC	LIN - Linear LOG - Logarithmic

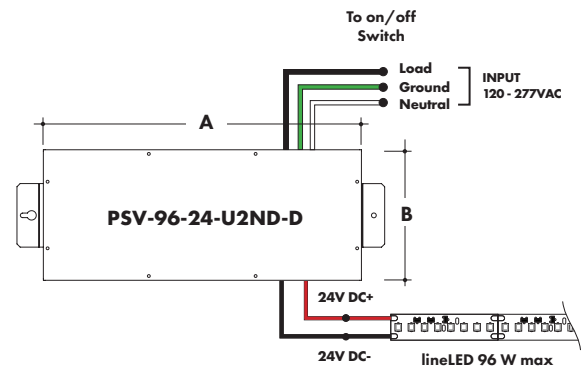
MODELS	96W	3X96
A Length	14.40"	15.75"
B Width	5.20"	6.62"
Depth	2.60"	4.95"



Non-Dimming Power Supply

MODEL	POWER	OUTPUT	DIMMING	LOCATION
PSV	96	24	U2ND	D
PSV - PSV Series	96 - 96 Watt	24 - 24 VDC	U2ND - Non Dimming	D - Damp

MODELS	96W
A Length	14.40"
B Width	5.20"
Depth	2.60"



Power Supply

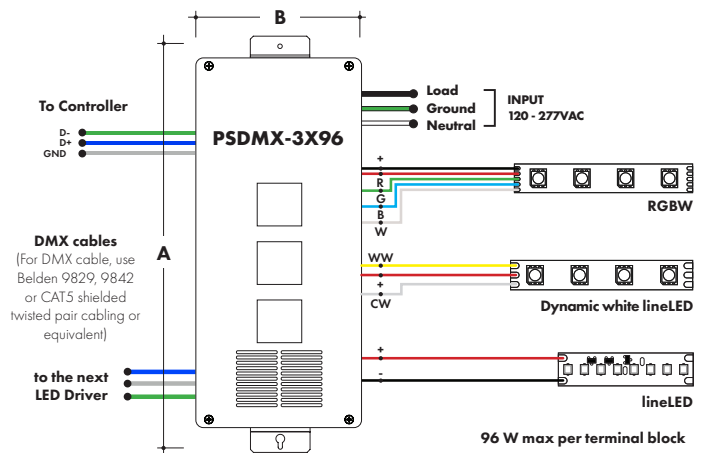
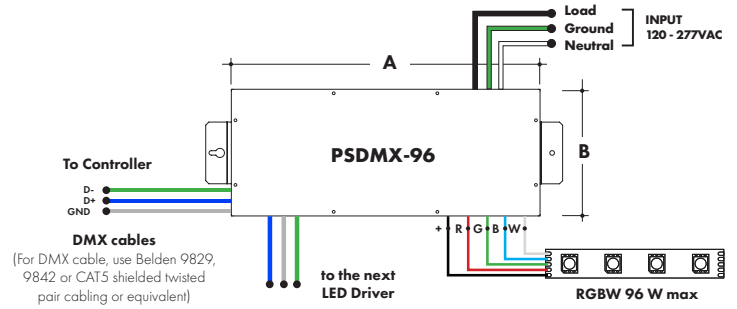
See fixture and power supply instructions & spec sheet for wiring information. Dimming possible in select models - view Luminii website for list of compatible dimmers.

DMX Dimming Power Supplies

MODEL	POWER	OUTPUT
PSDMX	96	24
PSDMX - DMX Power Supply	96 - 96 Watt 3X96 - 3 X 96 Watt	24 - 24 VDC

Features eldoLED's LINEARdrive configurable dimmable drivers

MODELS	96W	3X96
A Length	14.40"	15.75"
B Width	5.20"	6.62"
Depth	2.60"	4.95"

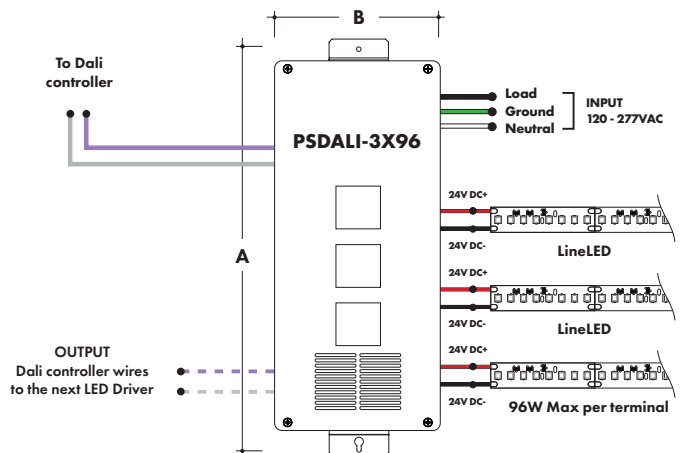
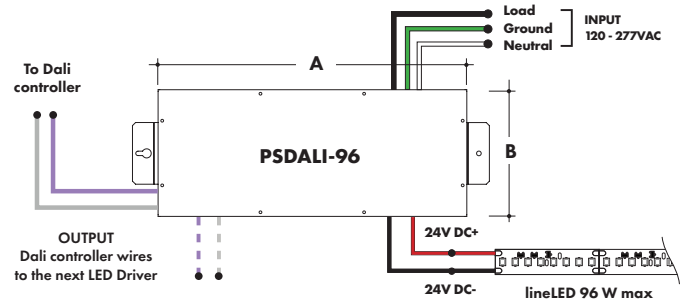


DALI Dimming Power Supplies

MODEL	POWER	OUTPUT
PSDALI	96	24
PSDALI - DALI Power Supply	96 - 96 Watt 3X96 - 3 X 96 Watt dims down to 0%	24 - 24 VDC

Features eldoLED's LINEARdrive configurable dimmable drivers

MODELS	96W	3X96
A Length	14.40"	15.75"
B Width	5.20"	6.62"
Depth	2.60"	4.95"



Power Supply

See fixture and power supply instructions & spec sheet for wiring information. Dimming possible in select models - view Luminii website for list of compatible dimmers.



Luminii is a Lutron OEM Advantage Partner

MODEL

LTEA4U1UKL-CV240

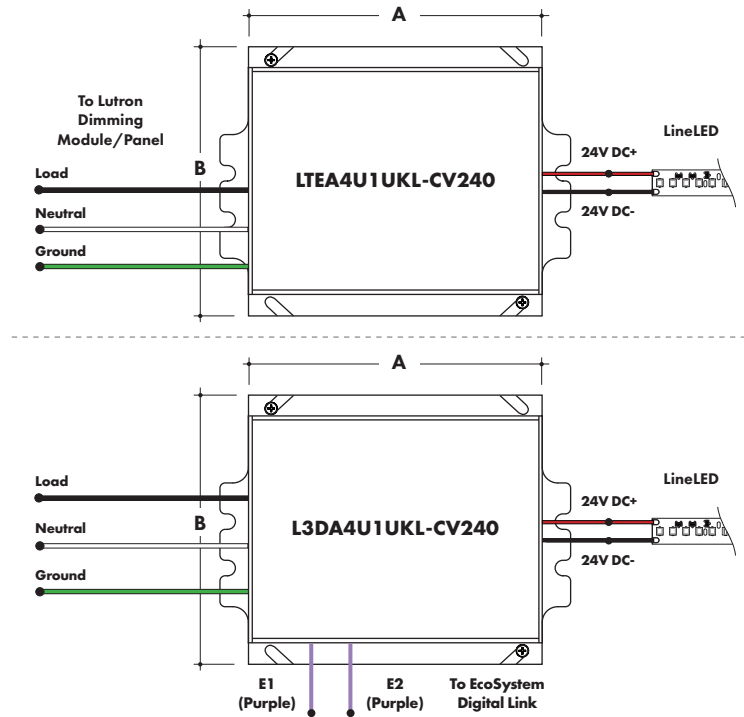
Lutron - HiLume™ 1% 2-wire LED Driver
(120V forward phase only)

MODEL

L3DA4U1UKL-CV240

HiLume™ 1% EcoSystem Voltage LED driver

MODELS	LTEA4U1UKL-CV240	L3DA4U1UKL-CV240
A Length	4.89"	4.98"
B Width	4.00"	4.00"
Depth	2.62"	2.62"



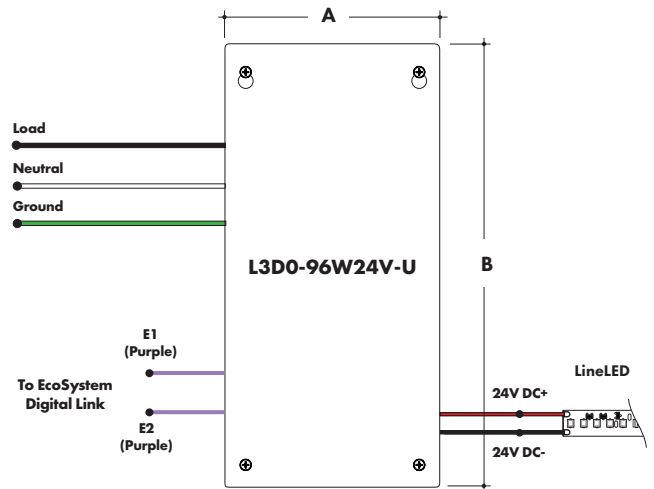
Luminii is a Lutron OEM Advantage Partner

MODEL

L3D0-96W24V-U

HiLume™ 0.1% EcoSystem Voltage LED Driver with Soft-On, Fade-to-Black™

MODELS	L3D0
A Length	10.50"
B Width	5.50"
Depth	2.00"



Power Supply

See fixture and power supply instructions & spec sheet for wiring information. Dimming possible in select models - view Luminii website for list of compatible dimmers.

In ground, Electronic Low Voltage Dimming Power Supplies

MODEL	POWER	OUTPUT	INPUT
IG - CVE	96X2	24	Blank - 120 V 277 - 240/277 V
IG - In ground CVE Series	96X2 - 2 X 96 Watt	24 - 24 VDC	
CVE - ELV Dimming DALI - eldoLED Dali dimming Both dims down to 0.1%			

MODELS	Dual Circuit
A Length	8.40"
B Width	8.30"
Depth	8.10"

