

Kendo 45M Round with Sensor - Installation Instructions

Model K45M Round with Sensor

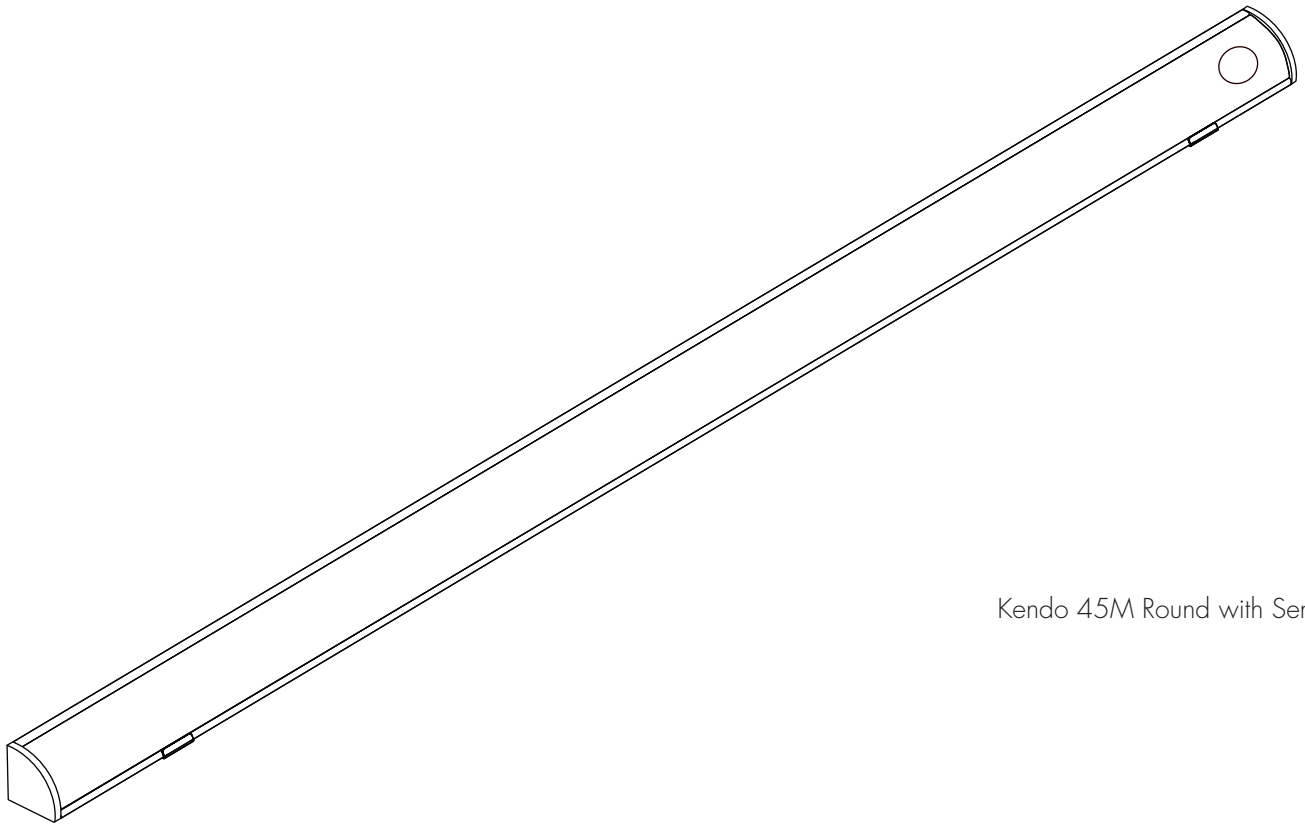
**Please read complete instruction prior to installation
and keep for future reference!**



luminii

7777 Merrimac Ave
Niles, IL 60714
T 224.333.6033
F 224.757.7557
info@luminii.com
www.luminii.com

Page 1 of 4



Kendo 45M Round with Sensor

Instruction page index:

- Mounting bracket installation 2
- Connect to Power 3
- Power feed layout guide 4

Kendo 45M Round with Sensor - Installation Instructions

Model K45M Round with Sensor



luminii

7777 Merrimac Ave
Niles, IL 60714
T 224.333.6033
F 224.757.7557
info@luminii.com
www.luminii.com

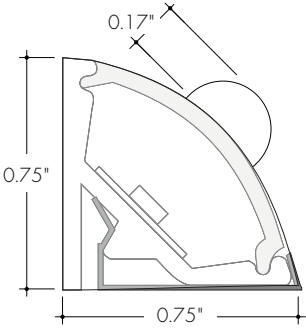
Please read all instructions prior to installation and keep for future reference!

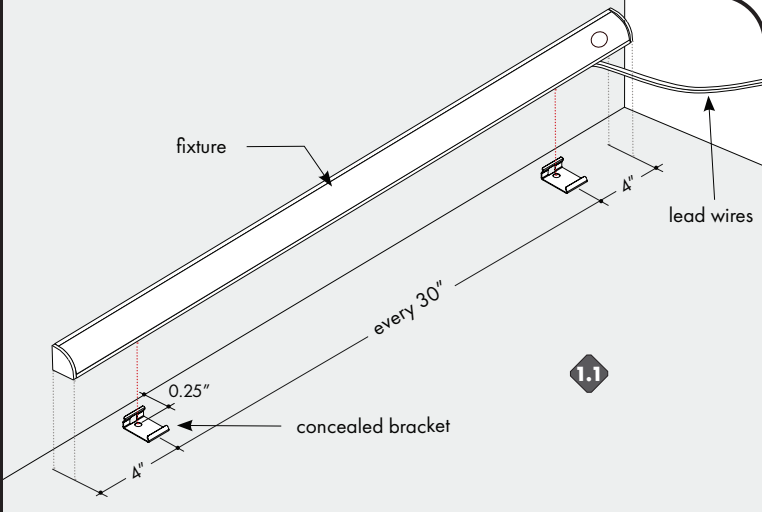
1. Product to be installed by a qualified electrician.
2. Use only with class 2 power unit
3. 24 volts DC
4. Suitable for damp locations
5. Surface mount only
6. Suitable for installation within the closet storage space

Page 2 of 4

1

Kendo 45M Round with Sensor profile

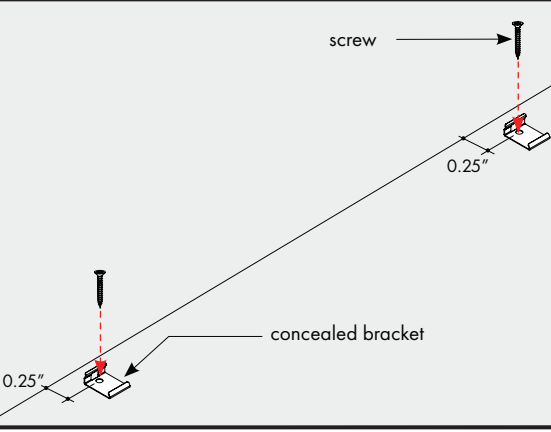




1.1 Determine the location of where the fixture(s) will be installed. Lay the fixture(s) on the surface, and make any necessary reference marks for the concealed bracket. Make marks 4" from each end of the fixture(s) and also every 30" in between. Use the fixture profile and mounting bracket detail, for any additional details.
NOTE: If mounting next to a wall, leave a 0.25" gap. To later remove if needed.

1.2 Lay the concealed bracket onto the reference mark points and secure using the provided hardware.

2



2.1 Align the mounting brackets to the marks, followed by securing each mounting bracket with 1 screws. Snap the extrusion into the mounting brackets.

2.2 To remove the extrusion from the mounting brackets, carefully insert a flat screwdriver to the bottom edge of the extrusion then pull up until the extrusion pops up.

Kendo 45M Round with Sensor - Installation Instructions

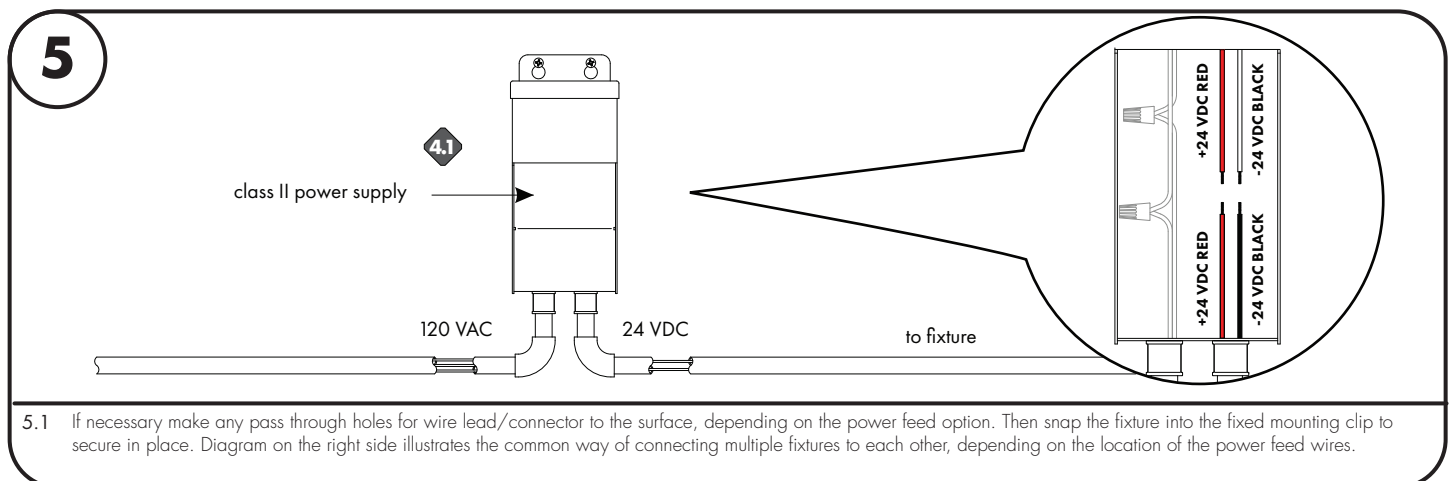
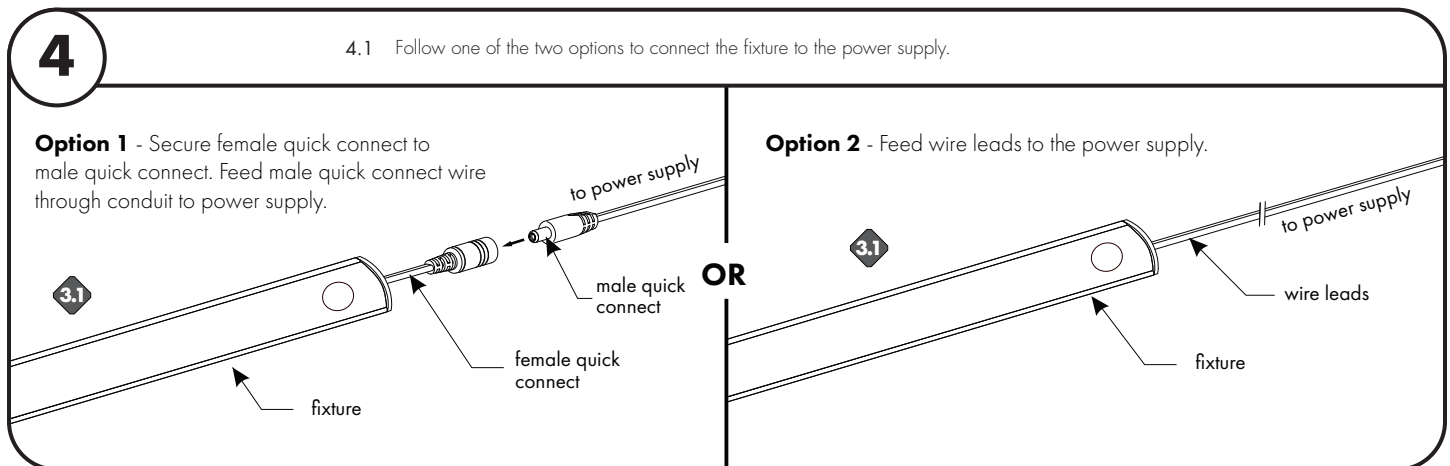
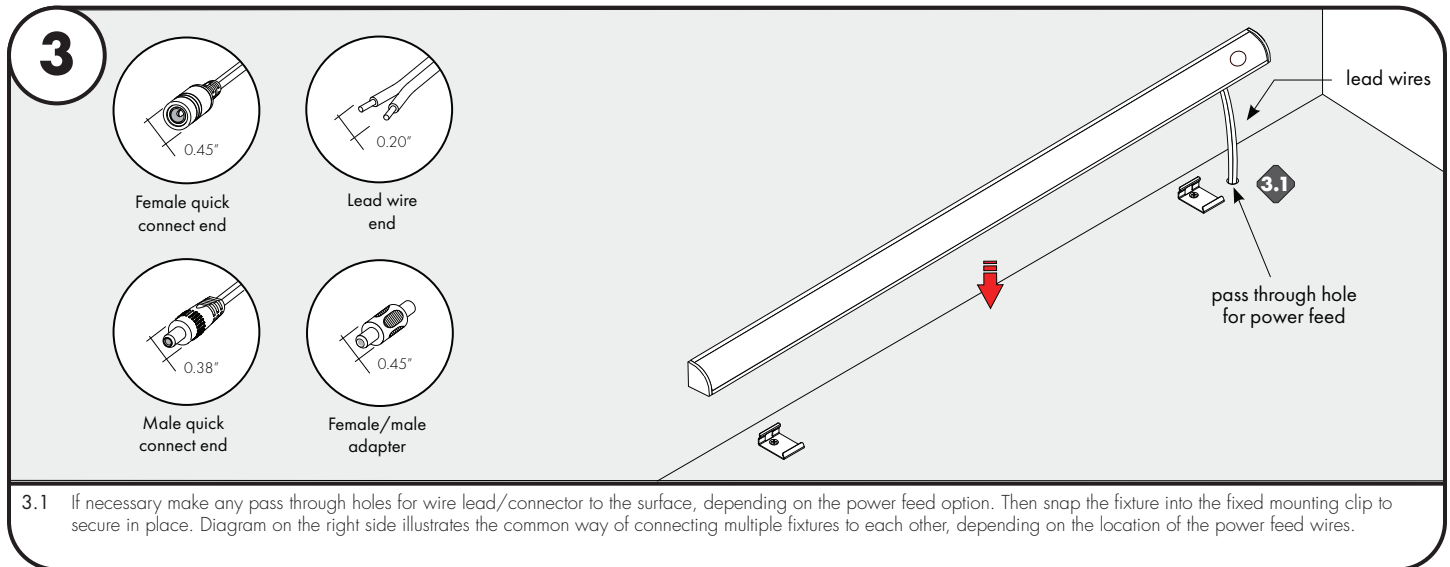
Model K45M Round with Sensor



7777 Merrimac Ave
 Niles, IL 60714
 T 224.333.6033
 F 224.757.7557
 info@luminii.com
 www.luminii.com

Please read all instructions prior to installation and keep for future reference!

1. Product to be installed by a qualified electrician.
2. Use only with class 2 power unit
3. 24 volts DC
4. Suitable for damp locations
5. Surface mount only
6. Suitable for installation within the closet storage space



Kendo 45M Round with Sensor - Installation Instructions

Model K45M Round with Sensor



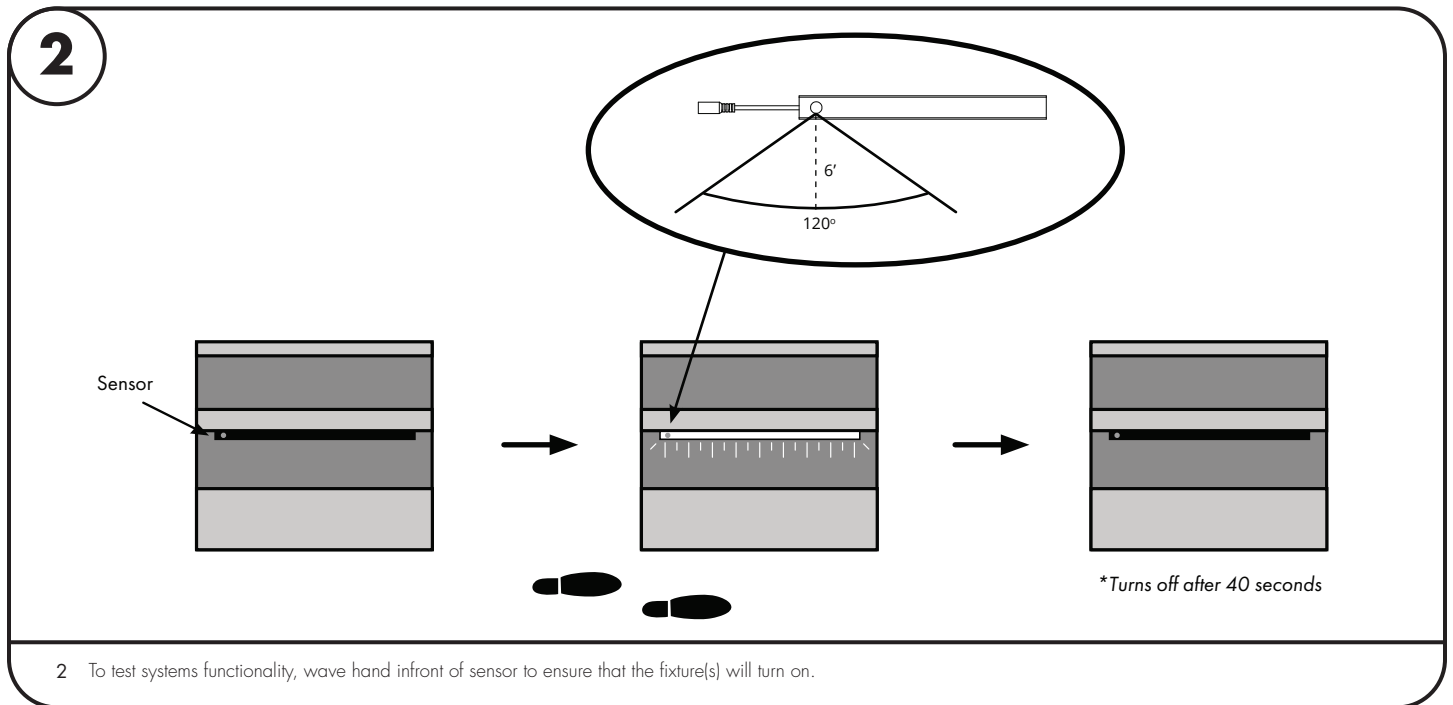
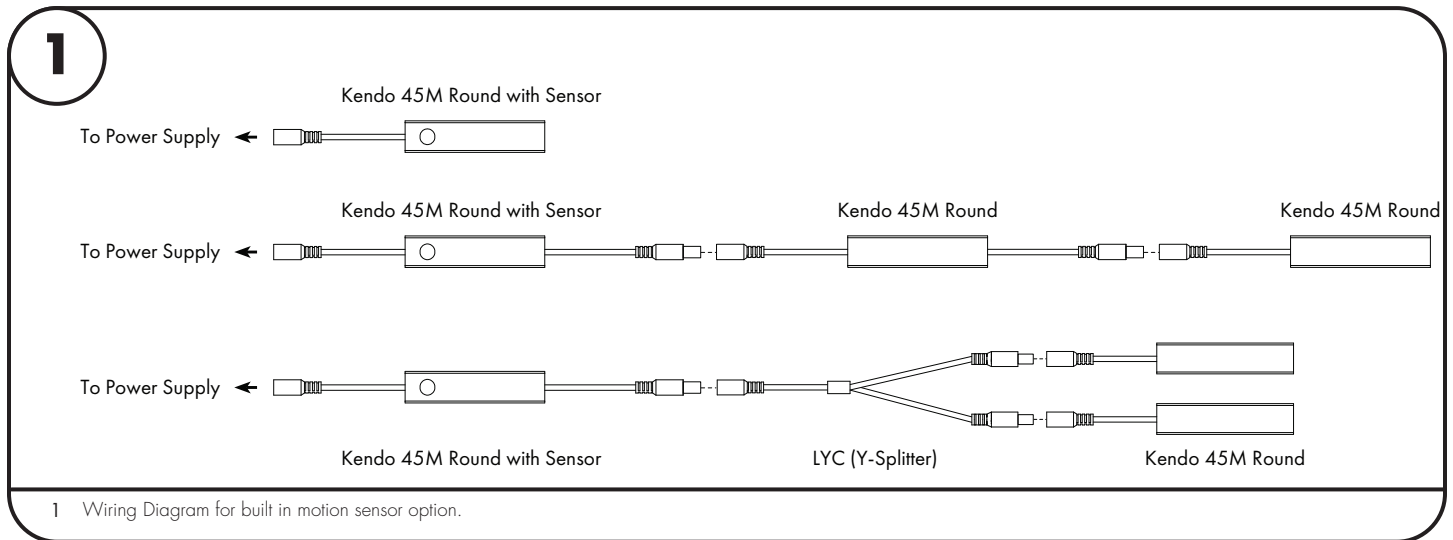
7777 Merrimac Ave
Niles, IL 60714
T 224.333.6033
F 224.757.7557
info@luminii.com
www.luminii.com

Please read all instructions prior to installation and keep for future reference!

1. Product to be installed by a qualified electrician.
2. Use only with class 2 power unit
3. 24 volts DC
4. Suitable for damp locations
5. Surface mount only
6. Suitable for installation within the closet storage space

Page 4 of 4

Option 1: With Internal Sensor



Kendo 45M Round with Sensor - Installation Instructions

Model K45M Round with Sensor



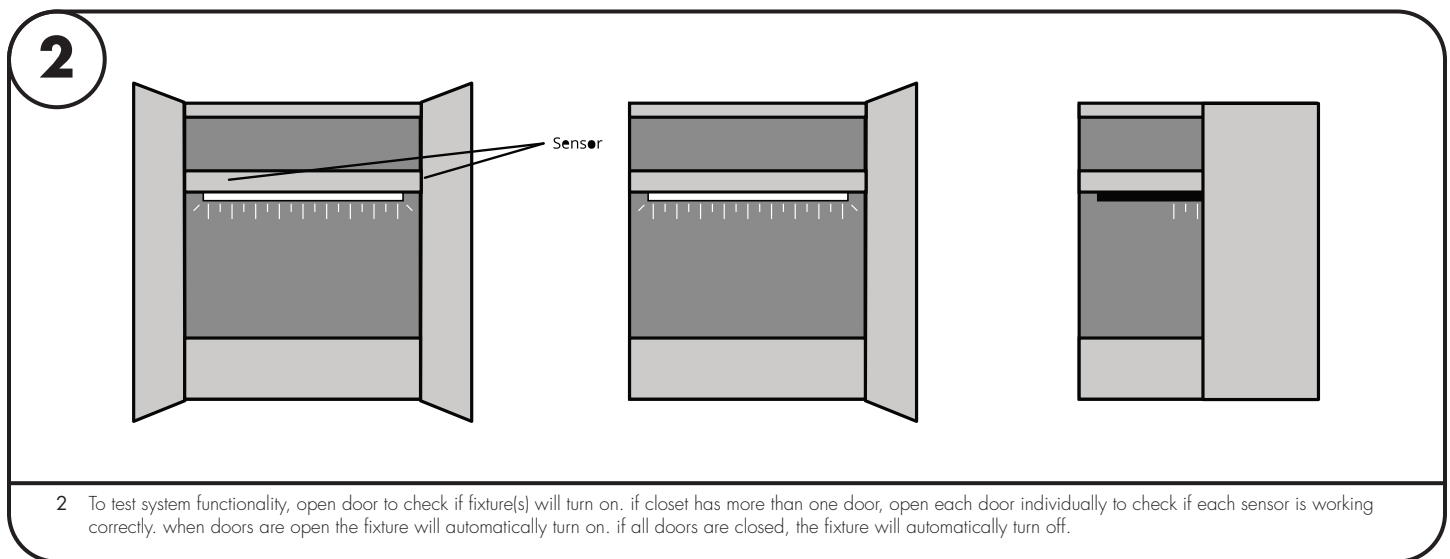
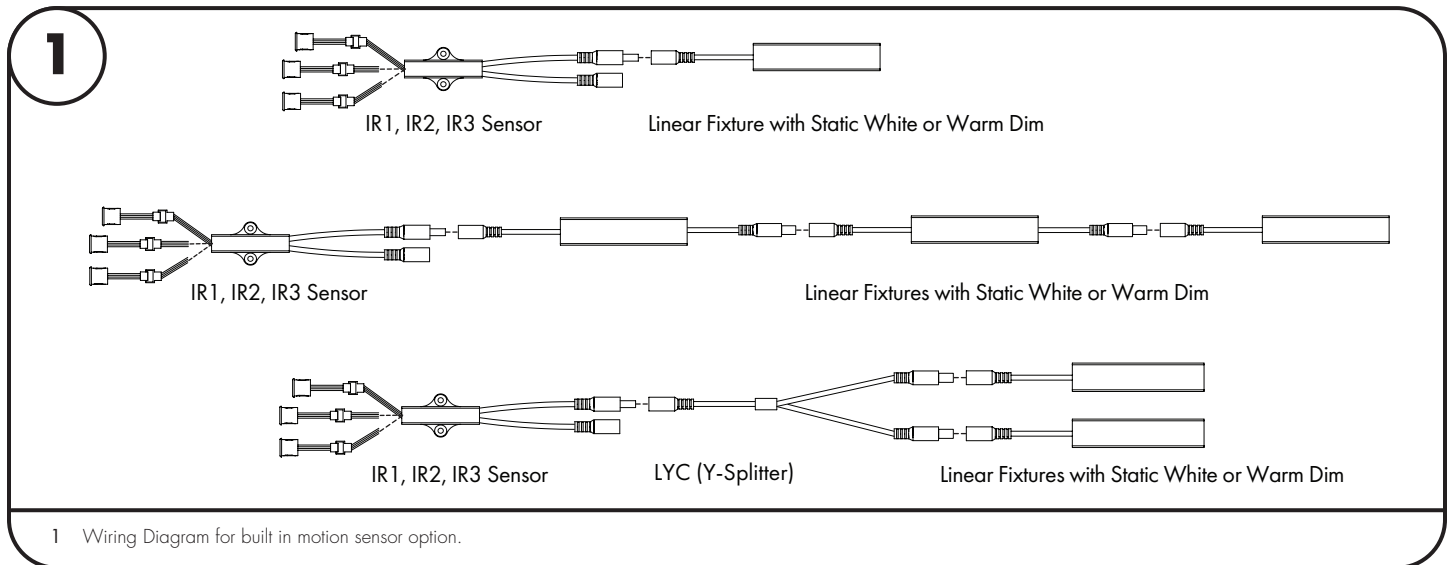
7777 Merrimac Ave
 Niles, IL 60714
 T 224.333.6033
 F 224.757.7557
 info@luminii.com
 www.luminii.com

Please read all instructions prior to installation and keep for future reference!

1. Product to be installed by a qualified electrician.
2. Use only with class 2 power unit
3. 24 volts DC
4. Suitable for damp locations
5. Surface mount only
6. Suitable for installation within the closet storage space

Page 5 of 4

Option 2: With External Sensor



Kendo 45M Round with Sensor - Installation Instructions

Model K45M Round with Sensor



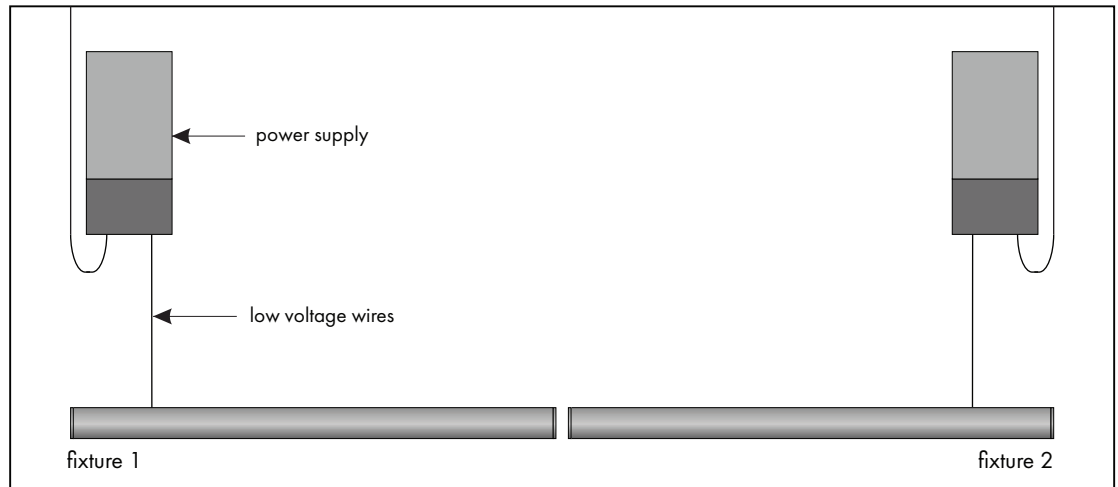
7777 Merrimac Ave
Niles, IL 60714
T 224.333.6033
F 224.757.7557
info@luminii.com
www.luminii.com

Please read all instructions prior to installation and keep for future reference!

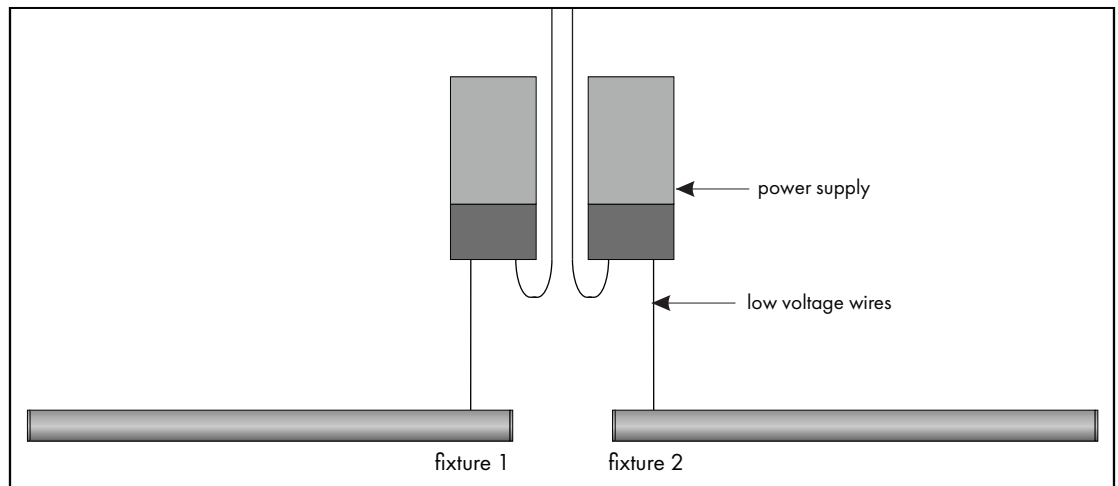
1. Product to be installed by a qualified electrician.
2. Use only with class 2 power unit
3. 24 volts DC
4. Suitable for damp locations
5. Surface mount only
6. Suitable for installation within the closet storage space

Page 6 of 4

power supplies at the end of the run



power supplies in the middle of the run



consecutive layout, NOT RECOMMENDED

