



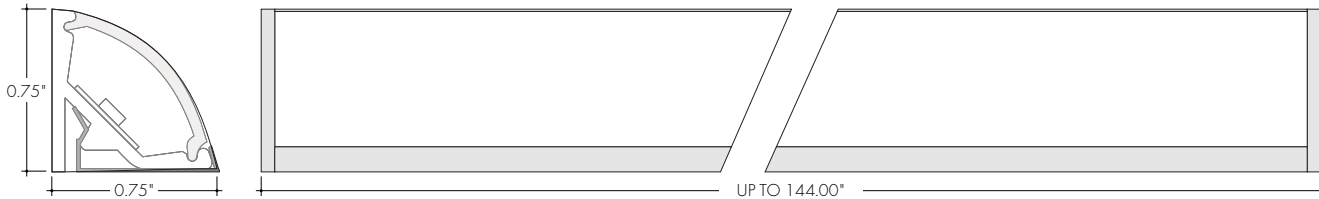
**Features**

- 24VDC Class 2 fixtures made to order up to 144". Fixtures can be linked up to 35' depending on output
- Suitable for undercabinet, millwork recessed and surface mount applications
- Approved for closet/storage space installation per NEC 410.16(A)(3) and 410.16(C)(5)
- Vibrant colors with R9 values up to 98
- Single micro binned LEDs +/- 30 CCT
- Dims with minimal color shift
- Class 2 listed for damp locations
- Proprietary strong bond solder method handles up to 50lbs of torque on wire leads and connectors
- 5 Year warranty

**Finish Options**

- Silver anodized
- Black powder coated
- Bronze powder coated
- White powder coated

**Profile Dimensions**



**Technical Information**

IC RATED

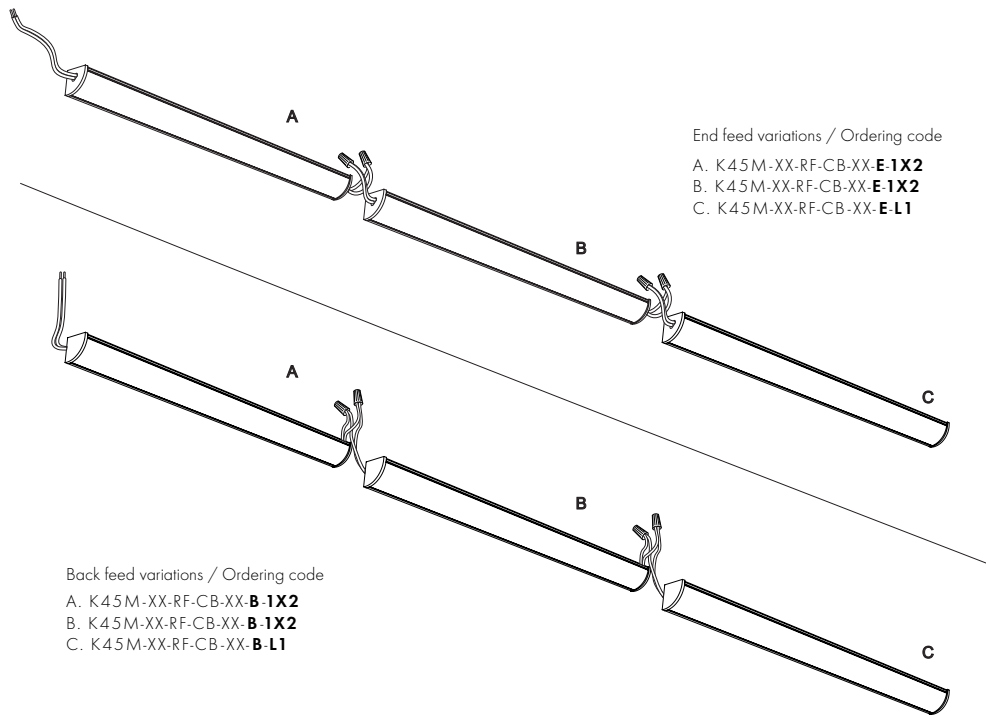
OUTPUT OPTIONS	SO LL36	HO LL54	VHO LL72
<b>Lumens at 3000K</b> Frosted Lens	135 lm/ft	224 lm/ft	290 lm/ft
<b>Average Power Consumption at 4'</b>	3.2 W/ft	5.2 W/ft	6.5 W/ft
<b>Lumens/Watt</b> Frosted Lens	42 lm/W	43 lm/W	45 lm/W
<b>Maximum System Length</b> In Series	35'	26'	18'

CCT INFO / LUMEN MULTIPLIER		TM-30-15		
Color Temperature	Multiplier (reference - 3000K)	CRI	R <sub>f</sub>	R <sub>g</sub>
1900K	0.63	96	94	97
2200K	0.68	96	95	101
2400K	0.72	98	97	101
2700K	0.76	97	96	101
2900K	0.82	98	96	102
3000K	1.00	97	95	104
3500K	1.05	97	94	105
4100K	1.37	97	90	99



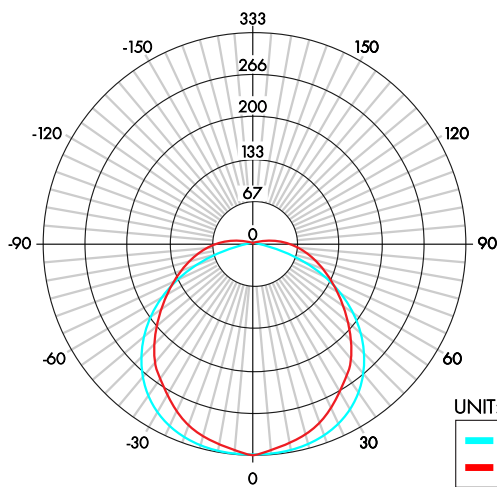
**Ordering Code**

MODEL	LENGTH	CCT	OUTPUT	LENS	MOUNTING	FINISH	POWER FEED POSITION/TYPE	
<b>K45M</b>	<b>12</b>	<b>19K</b>	<b>SO</b>	<b>RF</b>	<b>CB</b>	<b>SA</b>	<b>E</b>	<b>R1</b>
K45M - Kendo 45M	12" - 144" 4" increments	19K - 1900K 22K - 2200K 24K - 2400K 27K - 2700K 29K - 2900K 30K - 3000K 35K - 3500K 41K - 4100K	SO - Standard HO - High VHO - Very High	RF - Round Frosted	CB - Concealed Bracket	SA - Silver BK - Black BZ - Bronze WH - White  (BK, BZ, WH finishes will have an upcharge and require longer lead times)	E - End B - Back	R1 - Right side, 72" wire leads L1 - Left side, 72" wire leads 1X2 - 72" wire leads at both ends 2 - 72" wire leads at one end and quick connect at other 3 - Single quick connect 4 - Dual quick connect



Photometry

K45M-48-30K-VHO-FR-XX



Zonal Lumen Summary 3000K

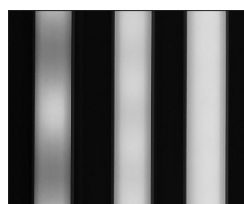
Zone	Lumen	% Fixture
0-30	264	33%
0-40	440	38%
0-60	804	69%
0-90	1105	95%
<b>Total</b> 0-180	<b>1160</b>	<b>100%</b>

Beam Angle



LED Dotting Per Extrusion

output	Lens Frosted
SO (LL36)	ND
HO (LL54)	ND
VHO (LL72)	ND



Clear Dotting    Slight Dotting    NO Dotting

CD = Clear Dotting  
 SD = Slight Dotting  
 ND = No Dotting

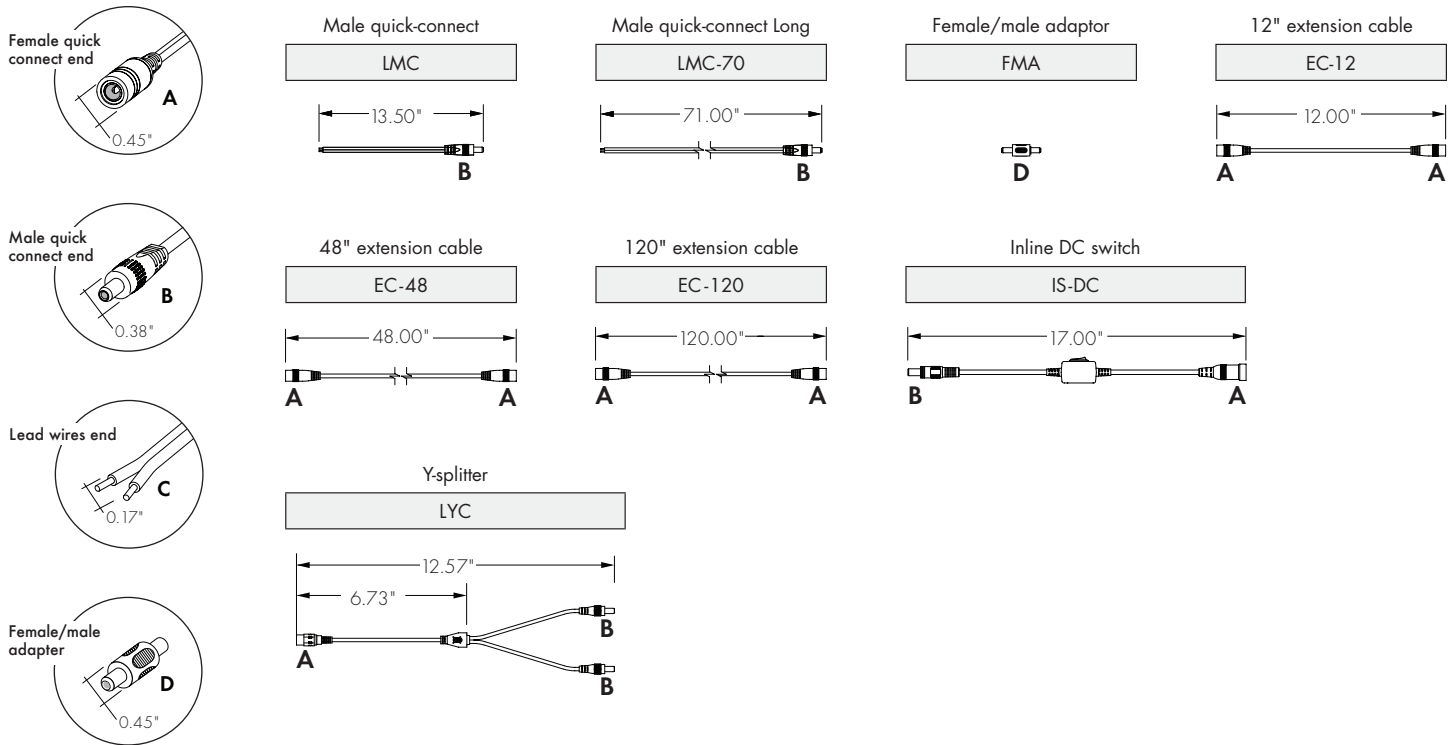
## Power Consumption Per Fixture Length

Based on operation with PSD series of power supplies.

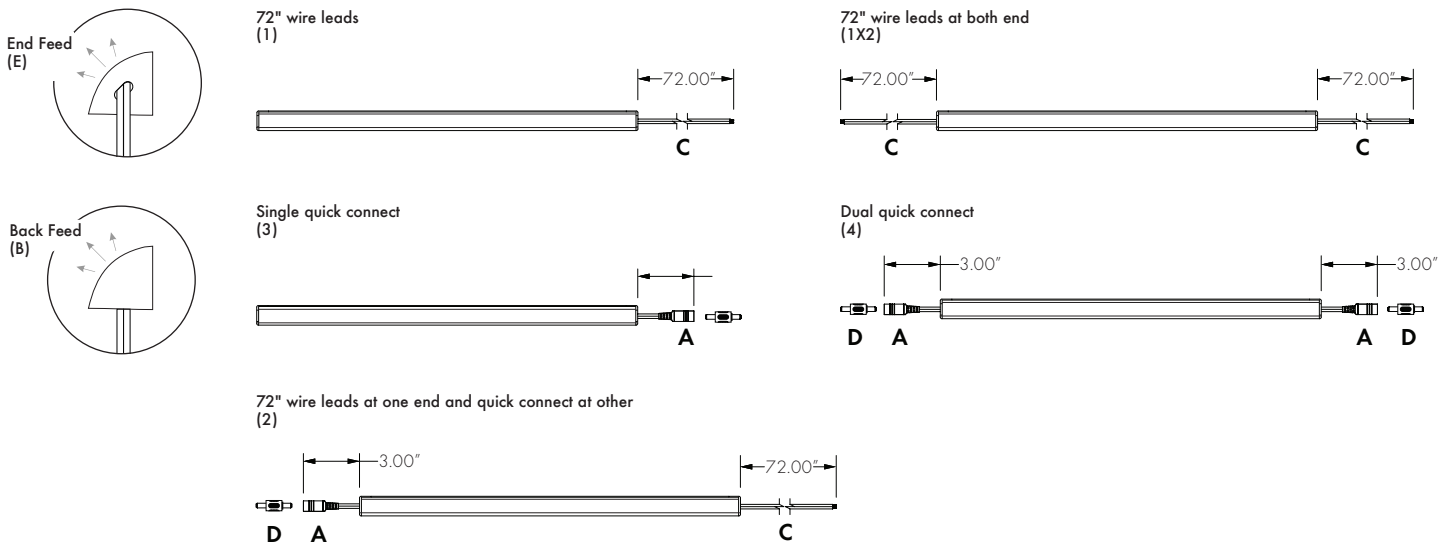
Nominal Length	Actual Length	SO		Actual Length	HO		Actual Length	VHO	
		W/ft	Total wattage		W/ft	Total wattage		W/ft	Total wattage
12"	12-13/16"	3.25	3.25	12-12/16"	5.35	5.30	12-12/16"	6.75	6.75
16"	16-11/16"	3.25	4.00	16-11/16"	5.33	7.06	16-10/16"	6.75	9.00
20"	20-11/16"	3.25	5.25	20-11/16"	5.31	8.82	20-10/16"	6.75	11.25
24"	24-9/16"	3.25	6.50	24-10/16"	5.30	10.60	24-9/16"	6.75	13.50
28"	28-8/16"	3.25	7.75	28-8/16"	5.28	12.33	28-8/16"	6.75	16.75
32"	32-8/16"	3.25	8.50	32-8/16"	5.26	14.06	32-7/16"	6.75	19.00
36"	36-6/16"	3.25	9.75	36-7/16"	5.25	15.80	36-6/16"	6.65	19.95
40"	40-5/16"	3.25	10.25	40-6/16"	5.23	17.40	41-5/16"	6.65	22.20
44"	44-5/16"	3.20	11.75	44-5/16"	5.21	19.00	45-4/16"	6.65	24.40
48"	48-4/16"	3.20	12.80	48-4/16"	5.20	20.60	49-3/16"	6.55	26.20
52"	52-3/16"	3.20	13.30	53-8/16"	5.18	22.40	53-2/16"	6.55	28.50
56"	56-2/16"	3.20	14.80	57-7/16"	5.16	24.20	57-1/16"	6.55	30.50
60"	60-1/16"	3.20	16.00	61-6/16"	5.15	26.00	61 "	6.45	32.25
64"	64 "	3.20	17.00	65-5/16"	5.13	27.60	64-15/16"	6.45	34.40
68"	69-14/16"	3.15	18.00	69-4/16"	5.11	29.20	68-14/16"	6.45	36.55
72"	73-13/16"	3.15	18.90	73-3/16"	5.10	30.80	72-13/16"	6.40	38.40
76"	77-12/16"	3.15	19.00	77-2/16"	5.08	32.40	76-12/16"	6.40	40.50
80"	81-12/16"	3.15	21.50	81-2/16"	5.06	34.00	80-11/16"	6.40	43.00
84"	85-10/16"	3.15	22.05	85-1/16"	5.05	35.70	84-10/16"	6.25	43.75
88"	89-9/16"	3.15	23.00	88-15/16"	5.03	37.10	88-9/16"	6.25	46.00
92"	93-8/16"	3.10	24.00	92-14/16"	5.01	38.50	92-8/16"	6.25	48.00
96"	97-7/16"	3.10	24.80	96-14/16"	5.00	40.00	97-7/16"	6.15	49.20
100"	101-7/16"	3.10	26.30	100-13/16"	4.98	41.60	101-6/16"	6.15	51.25
104"	105-5/16"	3.05	27.10	104-12/16"	4.96	43.20	105-4/16"	6.15	53.00
108"	109-5/16"	3.05	28.00	108-11/16"	4.95	44.80	109-4/16"	6.00	54.00
112"	113-4/16"	3.05	28.50	112-10/16"	4.93	46.20	113-3/16"	6.00	56.00
116"	117-2/16"	3.05	30.00	116-9/16"	4.91	47.60	117-2/16"	6.00	58.00
120"	121-2/16"	3.00	30.50	120-9/16"	4.90	48.90	121-1/16"	5.90	59.00
124"	125-1/16"	3.00	31.50	124-8/16"	4.88	50.40	125 "	5.90	60.60
128"	128-15/16"	3.00	32.50	128-7/16"	4.86	51.90	128-15/16"	5.90	62.20
132"	132-15/16"	2.95	33.50	132-6/16"	4.85	53.30	132-14/16"	5.80	63.80
136"	136-14/16"	2.95	34.30	136-5/16"	4.83	54.70	136-13/16"	5.80	65.30
140"	140-13/16"	2.95	35.20	140-4/16"	4.81	56.10	140-12/16"	5.80	66.80
144"	144-12/16"	2.90	36.00	145-8/16"	4.80	57.40	144-11/16"	5.70	68.40

Connectors

Linking and extension cable options

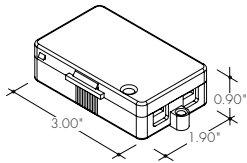


Powerfeed Position / Type



3, and 4 powerfeed options require #LMC to connect to PSD series of power supplies.

Accessory

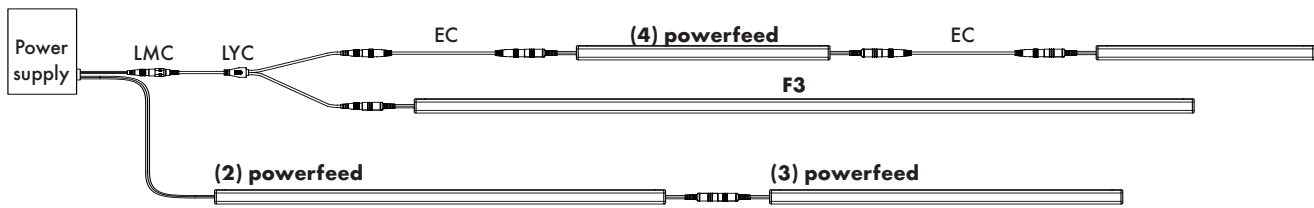


Splice Box

**LVSP-4T-BK**

Low voltage, 4 terminal splice box, black

Sample Layout



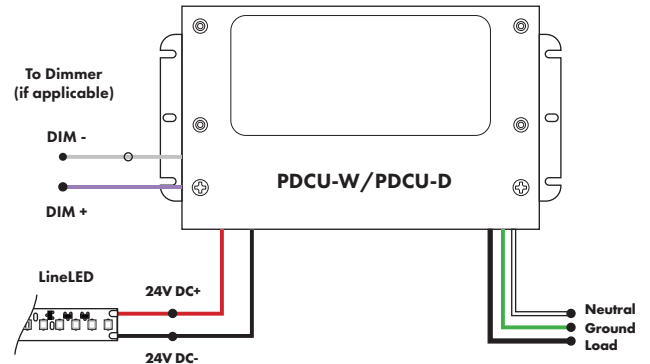
## Power Supply

See fixture and power supply instructions & spec sheet for wiring information. Dimming possible in select models - view Luminii website for list of compatible dimmers.

### Universal Power Supply

MODEL	POWER	OUTPUT
<b>PDCU-W</b>	<b>96</b>	<b>24</b>
PDCU-W - IP66 Wet Series	96 - 96 W 3X96 - 3X96 W	24 - 24 VDC
PDCU-D - IP20 Dry Series	30 - 30 W 60 - 60 W 96 - 96 W 3X96 - 3X96 W	

0-10V - 1% dimming  
MLV/ELV/TRIAC - 1% dimming, consult dimming compatibility chart  
Compatibility:  
View a complete list of compatible dimmers on product page ([Link](#))

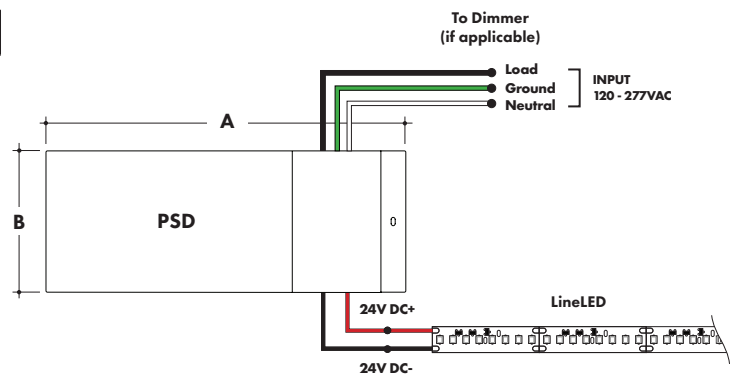


MODELS	PDCU-W 96W	PDCU-W 3X96W	PDCU-D 30W	PDCU-D 60W	PDCU-D 96W	PDCU-D 3X96W
<b>A Length</b>	8.66"	11.85"	6.10"	7.93"	8.25"	9.57"
<b>B Width</b>	3.73"	4.32"	3.35"	3.35"	4.10"	5.94"
<b>Depth</b>	1.61"	1.81"	1.33"	1.32"	1.56"	1.13"

### Magnetic Low Voltage Dimming Power Supplies

MODEL	POWER	OUTPUT	INPUT
<b>PSD</b>	<b>48</b>	<b>24</b>	
PSD - PSD Series dims down to 0%	48 - 48 Watt 96 - 96 Watt 288 - 288 Watt (3 x 96Watt)	24 - 24 VDC	Blank - 120 V 240 - 240 V 277 - 277 V

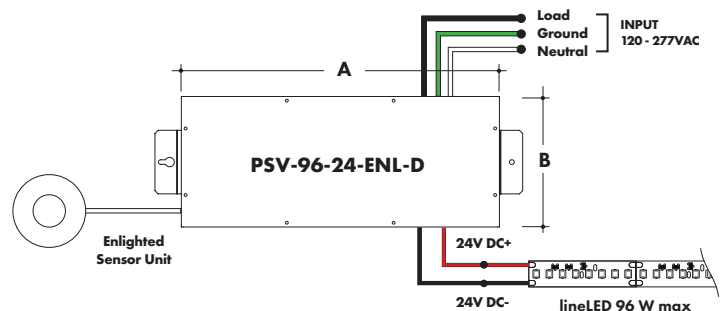
MODELS	48W	96W	288W
<b>A Length</b>	11.25"	11.25"	13.06"
<b>B Width</b>	3.42"	3.42"	8.42"
<b>Depth</b>	3.42"	3.27"	4.47"



### Enlighted Enabled Dimming Power Supplies:

MODEL	POWER	OUTPUT	DIMMING	LOCATION
<b>PSV</b>	<b>96</b>	<b>24</b>	<b>ENL</b>	<b>D</b>
PSV - PSV Series	96 - 96 Watt	24 - 24 VDC	ENL - Enlighted Dimming	D - Damp

MODELS	96W
<b>A Length</b>	14.40"
<b>B Width</b>	5.20"
<b>Depth</b>	2.60"



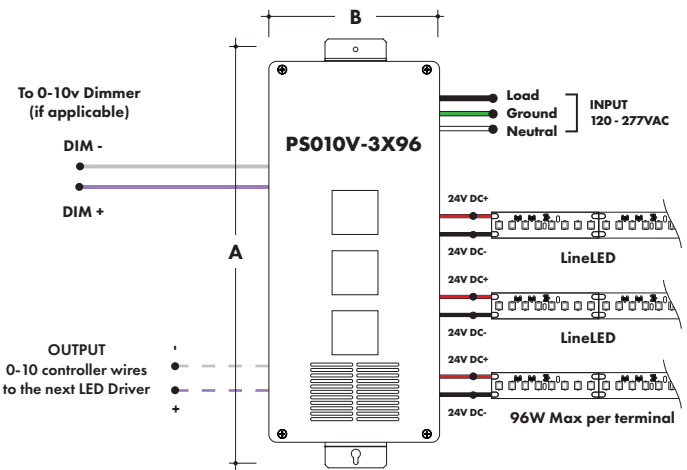
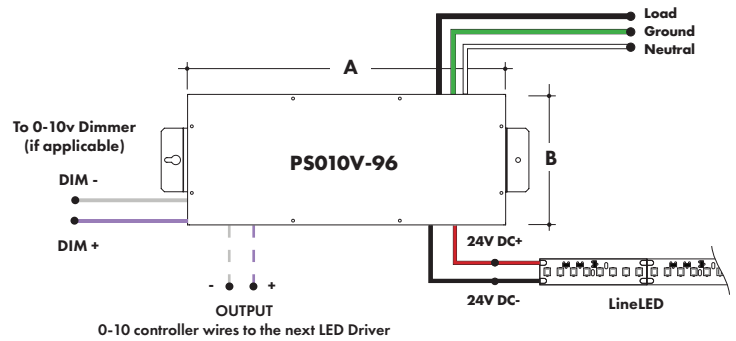
## Power Supply

See fixture and power supply instructions & spec sheet for wiring information. Dimming possible in select models - view Luminii website for list of compatible dimmers.

### 0-10V Dimming Power Supplies

MODEL	POWER	OUTPUT	DIMMING
<b>PS010V</b>	<b>96</b>	<b>24</b>	<b>LIN</b>
PS010V - 0-10V Power Supply dims down to 0%	96 - 96 Watt 3X96 - 3 X 96 Watt	24 - 24 VDC	LIN - Linear LOG - Logarithmic

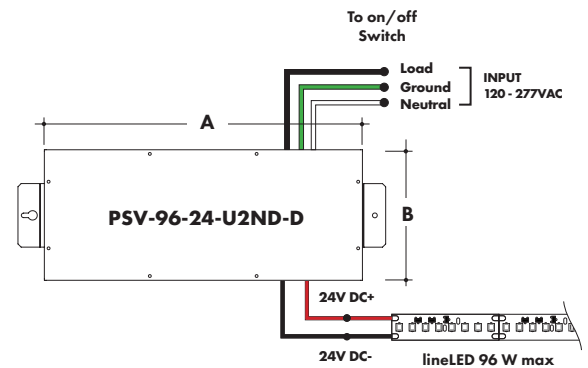
MODELS	96W	3X96
<b>A Length</b>	14.40"	15.75"
<b>B Width</b>	5.20"	6.62"
<b>Depth</b>	2.60"	4.95"



### Non-Dimming Power Supply

MODEL	POWER	OUTPUT	DIMMING	LOCATION
<b>PSV</b>	<b>96</b>	<b>24</b>	<b>U2ND</b>	<b>D</b>
PSV - PSV Series	96 - 96 Watt	24 - 24 VDC	U2ND - Non Dimming	D - Damp

MODELS	96W
<b>A Length</b>	14.40"
<b>B Width</b>	5.20"
<b>Depth</b>	2.60"



## Power Supply

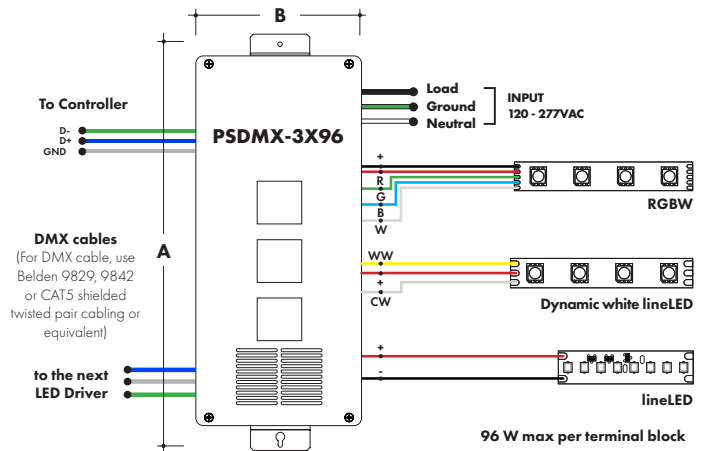
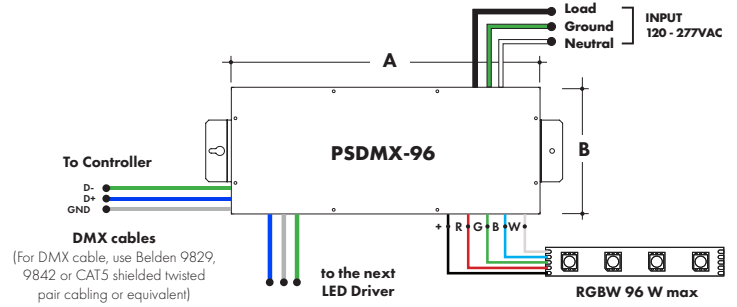
See fixture and power supply instructions & spec sheet for wiring information. Dimming possible in select models - view Luminii website for list of compatible dimmers.

### DMX Dimming Power Supplies

MODEL	POWER	OUTPUT
<b>PSDMX</b>	<b>96</b>	<b>24</b>
PSDMX - DMX Power Supply	96 - 96 Watt 3X96 - 3 X 96 Watt	24 - 24 VDC

Features eldoLED's LINEARdrive configurable dimmable drivers

MODELS	96W	3X96
<b>A Length</b>	14.40"	15.75"
<b>B Width</b>	5.20"	6.62"
<b>Depth</b>	2.60"	4.95"

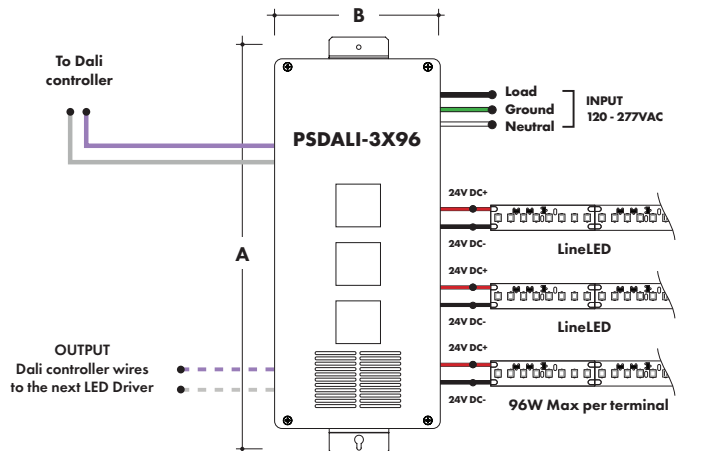
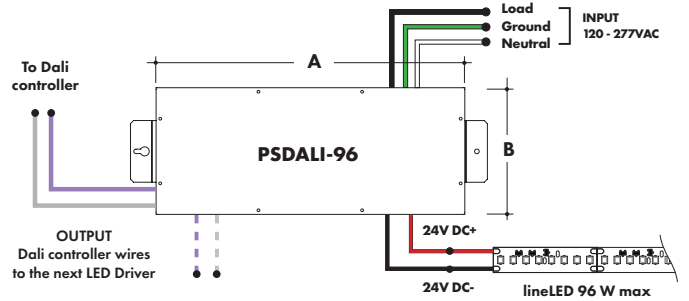


### DALI Dimming Power Supplies

MODEL	POWER	OUTPUT
<b>PSDALI</b>	<b>96</b>	<b>24</b>
PSDALI - DALI Power Supply	96 - 96 Watt 3X96 - 3 X 96 Watt dims down to 0%	24 - 24 VDC

Features eldoLED's LINEARdrive configurable dimmable drivers

MODELS	96W	3X96
<b>A Length</b>	14.40"	15.75"
<b>B Width</b>	5.20"	6.62"
<b>Depth</b>	2.60"	4.95"





### Power Supply

See fixture and power supply instructions & spec sheet for wiring information. Dimming possible in select models - view Luminii website for list of compatible dimmers.



Luminii is a Lutron OEM Advantage Partner

MODEL

**LTEA4U1UKL-CV240**

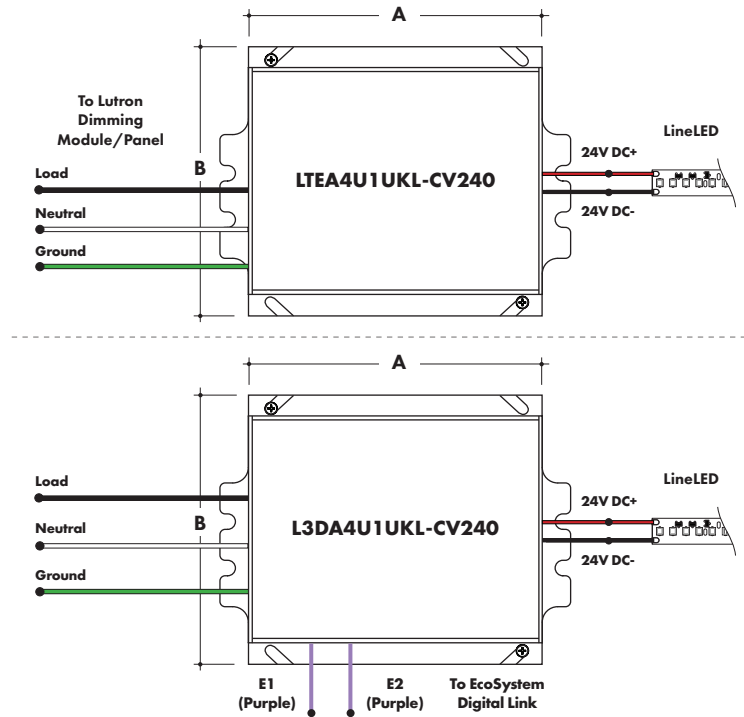
Lutron - HiLume™ 1% 2-wire LED Driver  
(120V forward phase only)

MODEL

**L3DA4U1UKL-CV240**

HiLume™ 1% EcoSystem Voltage LED driver

MODELS	LTEA4U1UKL-CV240	L3DA4U1UKL-CV240
<b>A Length</b>	4.89"	4.98"
<b>B Width</b>	4.00"	4.00"
<b>Depth</b>	2.62"	2.62"



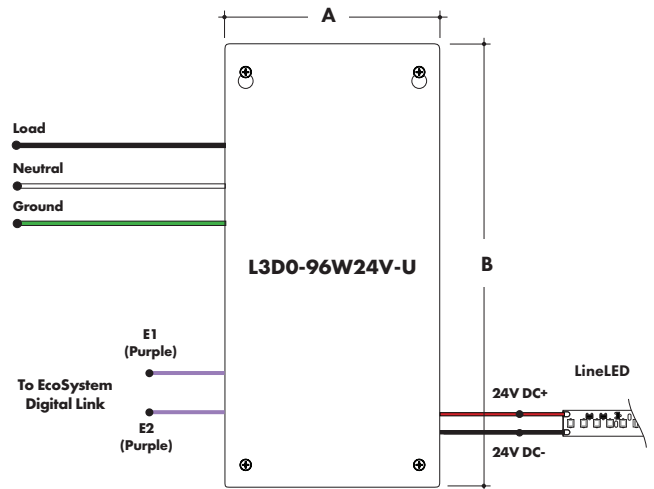
Luminii is a Lutron OEM Advantage Partner

MODEL

**L3D0-96W24V-U**

HiLume™ 0.1% EcoSystem Voltage LED Driver with Soft-On, Fade-to-Black™

MODELS	L3D0
<b>A Length</b>	10.50"
<b>B Width</b>	5.50"
<b>Depth</b>	2.00"



### Power Supply

See fixture and power supply instructions & spec sheet for wiring information. Dimming possible in select models - view Luminii website for list of compatible dimmers.

#### In ground, Electronic Low Voltage Dimming Power Supplies

MODEL	POWER	OUTPUT	INPUT
<b>IG</b> - CVE	<b>96X2</b>	<b>24</b>	
IG - In ground CVE Series	96X2 - 2 X 96 Watt	24 - 24 VDC	Blank - 120 V 277 - 240/277 V
CVE - ELV Dimming DALI - eldoLED Dali dimming Both dims down to 0.1%			

MODELS	Dual Circuit
<b>A Length</b>	8.40"
<b>B Width</b>	8.30"
<b>Depth</b>	8.10"

