




Features

- Efficacy up to 74 lm/w - a 45% increase over the standard K45M model
- 24VDC Class 2 fixtures made to order up to 144". Fixtures can be linked up to 55' depending on output
- Suitable for undercabinet, millwork recessed and surface mount applications
- Dot free even illumination achievable with frosted lens
- Approved for closet/storage space installation per NEC 410.16(A)(3) and 410.16(C)(5)
- Single micro binned LEDs +/- 30 CCT
- Dims with minimal color shift
- Class 2 listed for damp locations
- Proprietary strong bond solder method handles up to 50lbs of torque on wire leads and connectors
- 5 Year warranty



Finish options



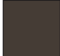
 Silver anodized

IC RATED

ROHS

 Black powder coated

TITLE 24 JAB COMPLIANT

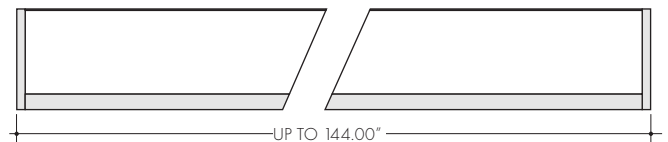
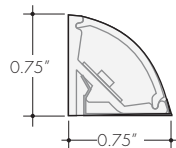
 Bronze powder coated



 White powder coated



Profile dimensions



Technical information

OUTPUT OPTIONS

Output	Lumens at 3000K (with frosted lens)	Average power consumption at 4'	Lumens / Watt (with frosted lens)	Maximum system length In series
LO (LL48HE-LO)	147 lm/ft	2.0 W/ft	74 lm/W	55'
SO (LL48HE-SO)	205 lm/ft	2.8 W/ft	73 lm/W	38'
MO (LL48HE-MO)	271 lm/ft	3.7 W/ft	73 lm/W	27'
HO (LL48HE-HO)	425 lm/ft	5.9 W/ft	72 lm/W	17'

CCT INFO/LUMEN MULTIPLIER

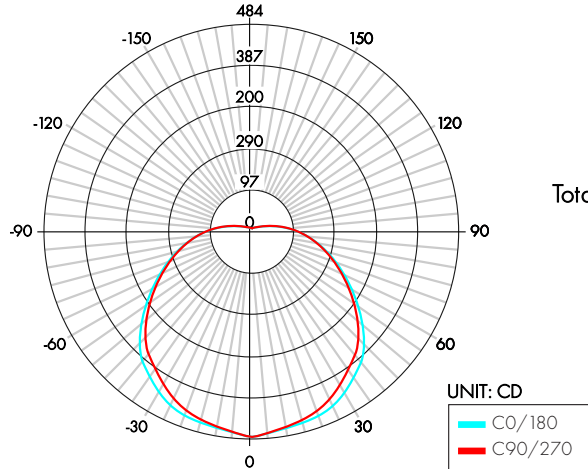
Color temperature	Multiplier (referenced from 3000K)	CRI	R _f	R _g
2700K	0.94	92	90	99
3000K	1.00	92	89	99
3500K	1.02	92	89	99
4000K	1.02	92	86	94

TM-30-15

MODEL	LENGTH	CCT	OUTPUT	LENS	MOUNTING	FINISH	POWER FEED POSITION/TYPE		
K45M	HE	12	27K	LO	RF	CB	SA	E	1
K45M - Kendo 45M	HE - High Efficacy	12" - 144" 4" increments	27K - 2700K 30K - 3000K 35K - 3500K 40K - 4000K	LO - Low SO - Standard MO - Medium HO - High	RF - Round Frosted	CB - Concealed Bracket	SA - Silver BK - Black BZ - Bronze WH - White (BK,BZ,WH finishes will have an upcharge and require longer lead times)	E - End B - Back	1 - 72" wire leads 1X2 - 72" wire leads at both ends 2 - 72" wire leads at one end and quick connect at other 3 - Single quick connect 4 - Dual quick connect

Photometry

K45M-HE-48-30K-HO-FR-XX



Zonal Lumen Summary 3000K

Zone	Lumen	% Fixture
0-30	384	23%
0-40	640	38%
0-60	1171	69%
0-90	1617	95%
Total	1701	100%

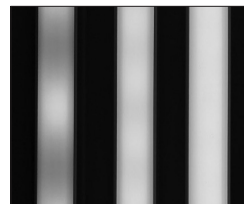
Total

Beam Angle



LED Dotting per extrusion

output	Lens
	Frosted
LO (LL48HE-LO)	ND
SO (LL48HE-SO)	ND
MO (LL48HE-MO)	ND
HO (LL48HE-HO)	ND

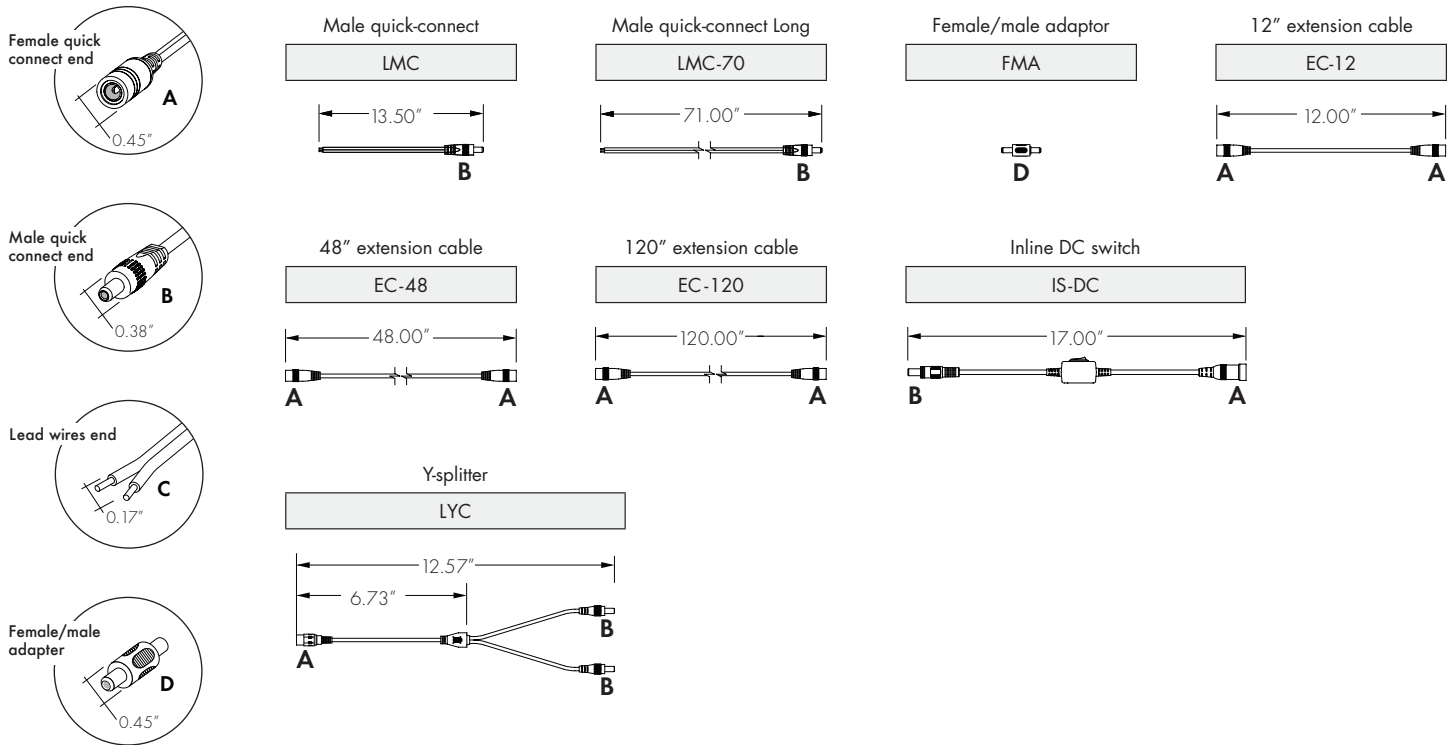


Clear Dotting Slight Dotting NO Dotting

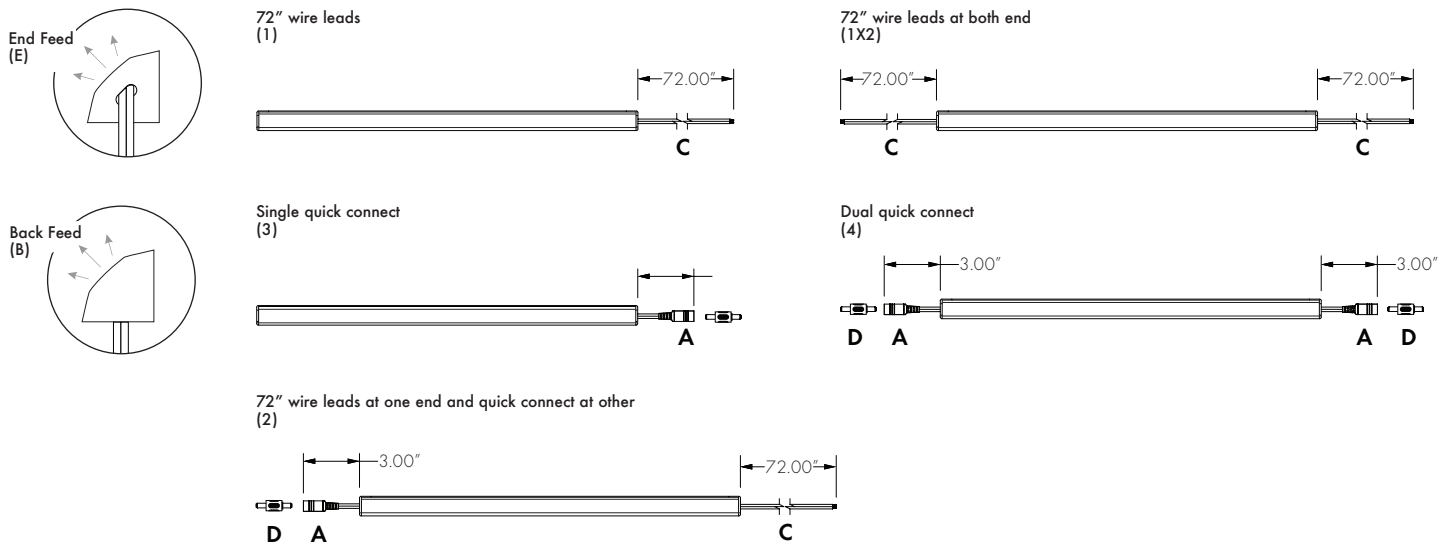
CD = Clear Dotting
SD = Slight Dotting
ND = No Dotting

Connectors

Linking and extension cable options



Powerfeed Position / Type

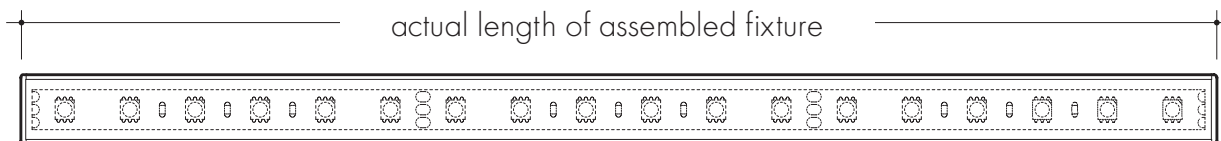


3, and 4 powerfeed options require #LMC to connect to PSD series of power supplies.

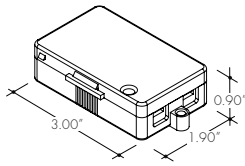
Power consumption per fixture length

Based on operation with PSD series of power supplies.

Length		LO		SO		MO		HO	
Nominal	Actual	W/ft	Total wattage	W/ft	Total wattage	W/ft	Total wattage	W/ft	Total wattage
12"	12-12/16"	2.00	2.00	2.79	2.79	3.70	3.70	5.90	5.90
16"	16-11/16"	2.00	2.67	2.79	3.72	3.70	4.90	5.90	7.88
20"	20-10/16"	2.00	3.33	2.79	4.65	3.70	6.10	5.90	9.86
24"	24-9/16"	2.00	4.00	2.79	5.58	3.70	7.40	5.90	11.84
28"	28-8/16"	2.00	4.67	2.79	6.51	3.70	8.63	5.91	13.81
32"	32-7/16"	2.00	5.34	2.79	7.44	3.70	9.83	5.91	15.78
36"	36-6/16"	2.00	6.00	2.79	8.37	3.70	11.10	5.91	17.75
40"	40-5/16"	2.00	6.66	2.79	9.30	3.70	12.33	5.92	19.74
44"	44-4/16"	2.00	13.33	2.79	10.23	3.70	13.56	5.92	21.73
48"	48-3/16"	2.00	8.00	2.79	11.16	3.70	14.80	5.92	23.72
52"	52-2/16"	2.00	8.67	2.79	12.09	3.70	16.03	5.92	25.70
56"	56-1/16"	2.00	9.34	2.79	13.02	3.70	17.26	5.92	27.68
60"	60 "	2.00	10.00	2.79	13.95	3.70	18.50	5.92	29.66
64"	65-14/16"	2.00	10.67	2.79	15.82	3.70	19.73	5.93	31.64
68"	69-13/16"	2.00	11.34	2.79	17.69	3.70	20.96	5.93	33.62
72"	73-12/16"	2.00	12.00	2.79	19.56	3.70	22.20	5.93	35.60
76"	77-11/16"	2.00	12.67	2.79	20.48	3.70	23.43	5.91	37.53
80"	81-11/16"	2.00	13.33	2.79	21.40	3.70	24.66	5.91	39.46
84"	85-9/16"	2.00	14.00	2.79	22.32	3.70	25.90	5.91	41.40
88"	89-8/16"	2.00	14.67	2.79	23.25	3.70	27.13	5.92	43.40
92"	93-7/16"	2.00	15.33	2.79	24.18	3.70	28.36	5.92	45.40
96"	97-6/16"	2.00	16.00	2.79	25.10	3.70	29.60	5.92	47.45
100"	101-6/16"	2.00	16.67	2.79	26.03	3.70	30.93	5.94	49.45
104"	105-4/16"	2.00	17.33	2.79	26.96	3.70	32.26	5.94	51.45
108"	109-3/16"	2.00	18.00	2.79	27.90	3.73	33.60	5.94	53.50
112"	113-2/16"	2.00	18.67	2.79	28.85	3.73	34.93	5.99	55.30
116"	117-1/16"	2.00	19.33	2.79	29.80	3.73	36.26	5.99	57.10
120"	121-1/16"	2.00	20.00	2.79	30.75	3.76	37.60	5.99	58.90
124"	124-15/16"	2.00	20.67	2.79	31.70	3.76	38.80	5.85	60.70
128"	128-14/16"	2.00	21.34	2.79	32.65	3.76	40.00	5.85	62.50
132"	132-13/16"	2.00	22.00	2.79	33.60	3.74	41.20	5.85	64.30
136"	136-13/16"	2.00	22.67	2.79	34.55	3.74	42.40	5.82	66.10
140"	140-12/16"	2.00	23.34	2.79	35.50	3.74	43.60	5.82	67.90
144"	144-10/16"	2.00	24.00	2.80	36.45	3.73	44.80	5.82	69.68



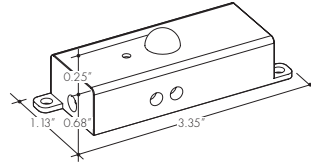
Accessory options



Splice Box

LVSP-4T-BK

Low voltage, 4 terminal splice box, black

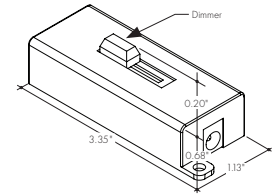


Note: a Male quick connector for input and output is required.

PIR Infrared Occupancy Sensor

OS-DC-F4-BK

OS-DC-F4-BK - Occupancy Sensor



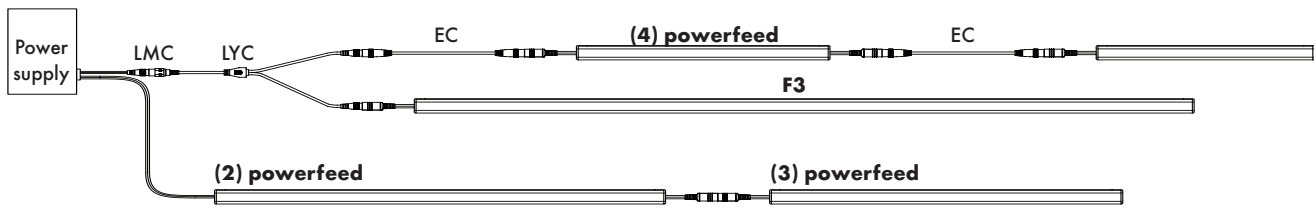
Note: a Male quick connector for input and output is required.

24VDC Low Voltage In-Line Dimmer Module

DIM-DC-F4-BK

DIM-DC-F4-BK - 24VDC Low Voltage In-Line Dimmer Module

Sample layout



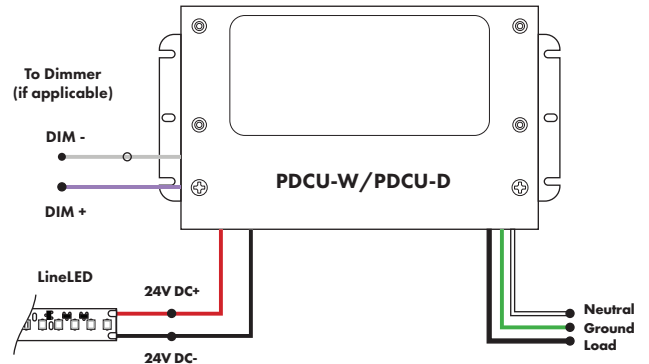
Power Supply

See fixture and power supply instructions & spec sheet for wiring information. Dimming possible in select models - view Luminii website for list of compatible dimmers.

Universal Power Supply

MODEL	POWER	OUTPUT
PDCU-W	96	24
PDCU-W - IP66 Wet Series	96 - 96 W 3X96 - 3X96 W	24 - 24 VDC
PDCU-D - IP20 Dry Series	30 - 30 W 60 - 60 W 96 - 96 W 3X96 - 3X96 W	

0-10V - 1% dimming
MLV/ELV/TRIAC - 1% dimming, consult dimming compatibility chart
Compatibility:
View a complete list of compatible dimmers on product page ([Link](#))

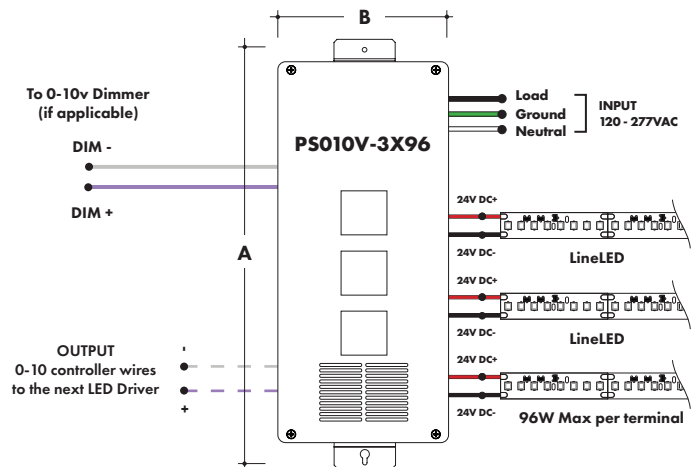
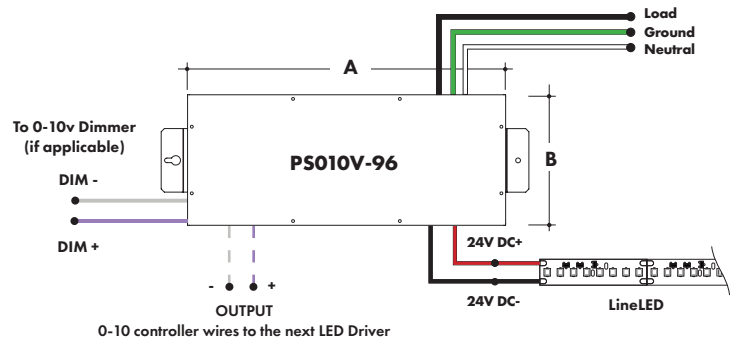


MODELS	PDCU-W 96W	PDCU-W 3X96W	PDCU-D 30W	PDCU-D 60W	PDCU-D 96W	PDCU-D 3X96W
A Length	8.66"	11.85"	6.10"	7.93"	8.25"	9.57"
B Width	3.73"	4.32"	3.35"	3.35"	4.10"	5.94"
Depth	1.61"	1.81"	1.33"	1.32"	1.56"	1.13"

0-10V Dimming Power Supplies

MODEL	POWER	OUTPUT	DIMMING
PS010V	96	24	LIN
PS010V - 0-10V Power Supply dims down to 0%	96 - 96 Watt 3X96 - 3 X 96 Watt	24 - 24 VDC	LIN - Linear LOG - Logarithmic

MODELS	96W	3X96
A Length	14.40"	15.75"
B Width	5.20"	6.62"
Depth	2.60"	4.95"



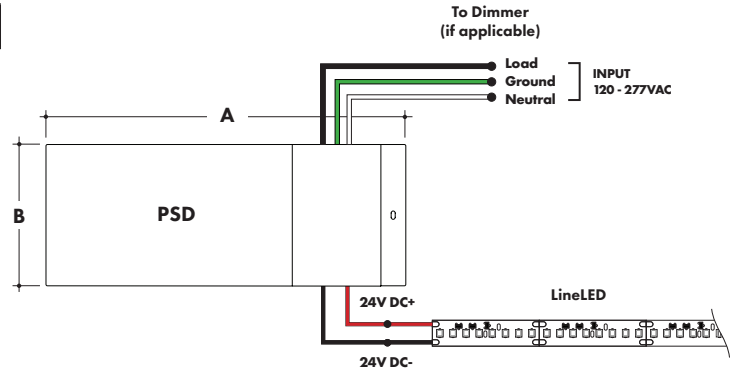
Power Supply

See fixture and power supply instructions & spec sheet for wiring information. Dimming possible in select models - view Luminii website for list of compatible dimmers.

Magnetic Low Voltage Dimming Power Supplies

MODEL	POWER	OUTPUT	INPUT
PSD	48	24	
PSD - PSD Series dims down to 0%	48 - 48 Watt 96 - 96 Watt 288 - 288 Watt (3 x 96Watt)	24 - 24 VDC	Blank - 120 V 240 - 240 V 277 - 277 V

MODELS	48W	96W	288W
A Length	11.25"	11.25"	13.06"
B Width	3.42"	3.42"	8.42"
Depth	3.42"	3.27"	4.47"

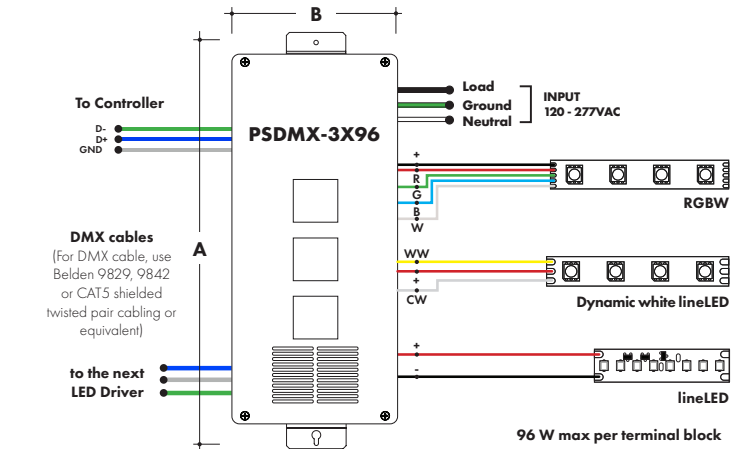
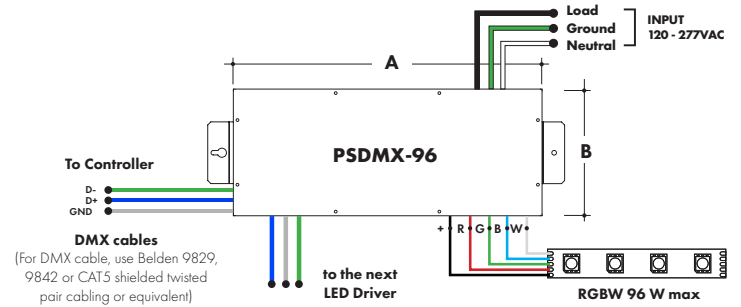


DMX Dimming Power Supplies

MODEL	POWER	OUTPUT
PSDMX	96	24
PSDMX - DMX Power Supply	96 - 96 Watt 3X96 - 3 X 96 Watt	24 - 24 VDC

Features eldoLED's LINEARdrive configurable dimmable drivers

MODELS	96W	3X96
A Length	14.40"	15.75"
B Width	5.20"	6.62"
Depth	2.60"	4.95"



Power Supply

See fixture and power supply instructions & spec sheet for wiring information. Dimming possible in select models - view Luminii website for list of compatible dimmers.

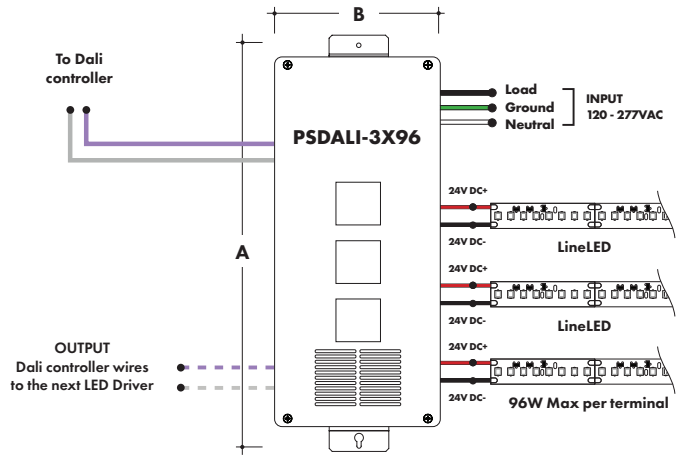
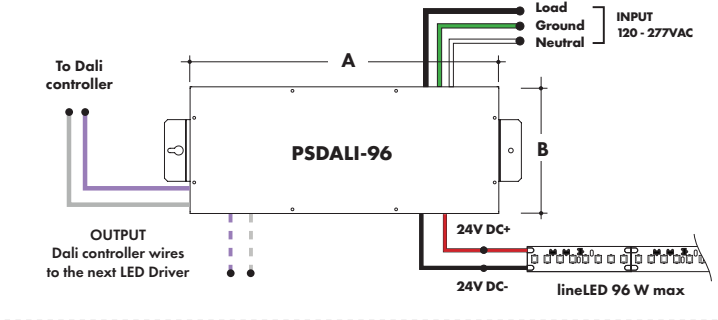
DALI Dimming Power Supplies

MODEL	POWER	OUTPUT
PSDALI	96	24

PSDALI - DALI Power Supply
dims down to 0%
96 - 96 Watt
3X96 - 3 X 96 Watt
24 - 24 VDC

Features eldoLED's LINEARdrive configurable dimmable drivers

MODELS	96W	3X96
A Length	14.40"	15.75"
B Width	5.20"	6.62"
Depth	2.60"	4.95"

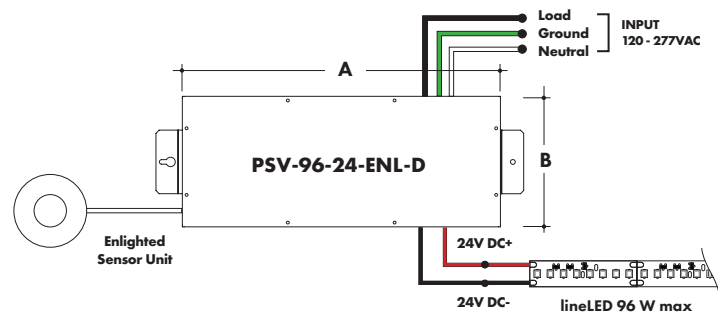


Enlighted Enabled Dimming Power Supplies:

MODEL	POWER	OUTPUT	DIMMING	LOCATION
PSV	96	24	ENL	D

PSV - PSV Series 96 - 96 Watt 24 - 24 VDC ENL - Enlighted Dimming D - Damp

MODELS	96W
A Length	14.40"
B Width	5.20"
Depth	2.60"

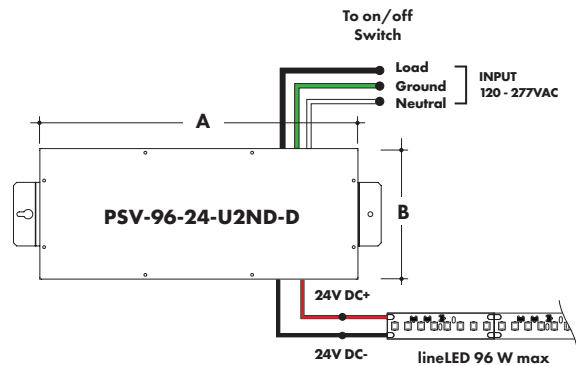


Non-Dimming Power Supply

MODEL	POWER	OUTPUT	DIMMING	LOCATION
PSV	96	24	U2ND	D

PSV - PSV Series 96 - 96 Watt 24 - 24 VDC U2ND - Non Dimming D - Damp

MODELS	96W
A Length	14.40"
B Width	5.20"
Depth	2.60"



Power Supply

See fixture and power supply instructions & spec sheet for wiring information. Dimming possible in select models - view Luminii website for list of compatible dimmers.



Luminii is a Lutron OEM Advantage Partner

MODEL

LTEA4U1UKL-CV240

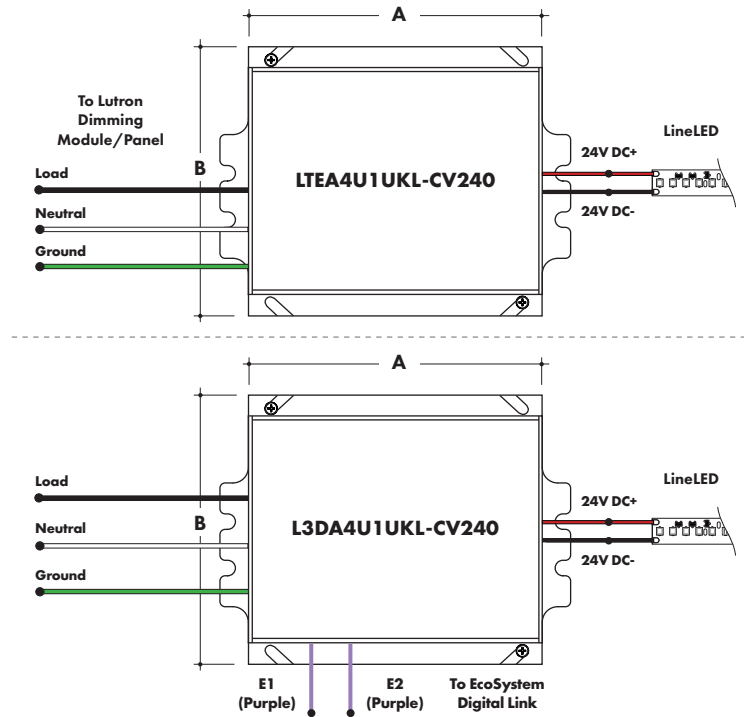
Lutron - HiLume™ 1% 2-wire LED Driver
(120V forward phase only)

MODEL

L3DA4U1UKL-CV240

HiLume™ 1% EcoSystem Voltage LED driver

MODELS	LTEA4U1UKL-CV240	L3DA4U1UKL-CV240
A Length	4.89"	4.98"
B Width	4.00"	4.00"
Depth	2.62"	2.62"



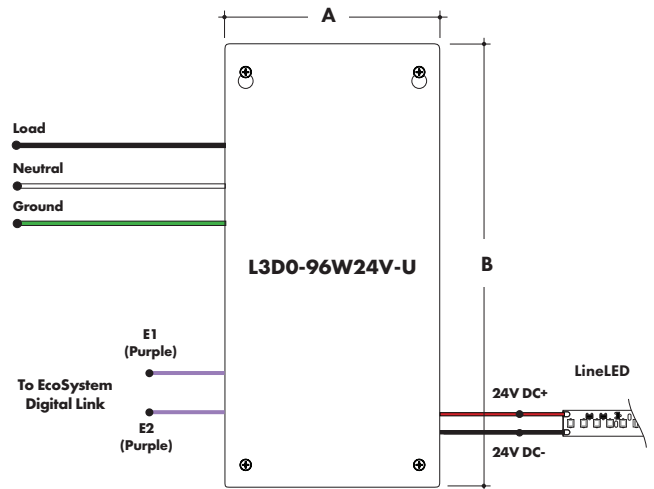
Luminii is a Lutron OEM Advantage Partner

MODEL

L3D0-96W24V-U

HiLume™ 0.1% EcoSystem Voltage LED Driver with Soft-On, Fade-to-Black™

MODELS	L3D0
A Length	10.50"
B Width	5.50"
Depth	2.00"



Power Supply

See fixture and power supply instructions & spec sheet for wiring information. Dimming possible in select models - view Luminii website for list of compatible dimmers.

In ground, Electronic Low Voltage Dimming Power Supplies

MODEL	POWER	OUTPUT	INPUT
IG - CVE	96X2	24	
IG - In ground CVE Series CVE - ELV Dimming DALI - eldoLED Dali dimming Both dims down to 0.1%	96X2 - 2 X 96 Watt	24 - 24 VDC	Blank - 120 V 277 - 240/277 V

MODELS	Dual Circuit
A Length	8.40"
B Width	8.30"
Depth	8.10"

